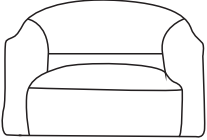
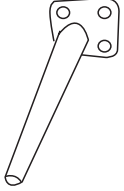

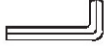


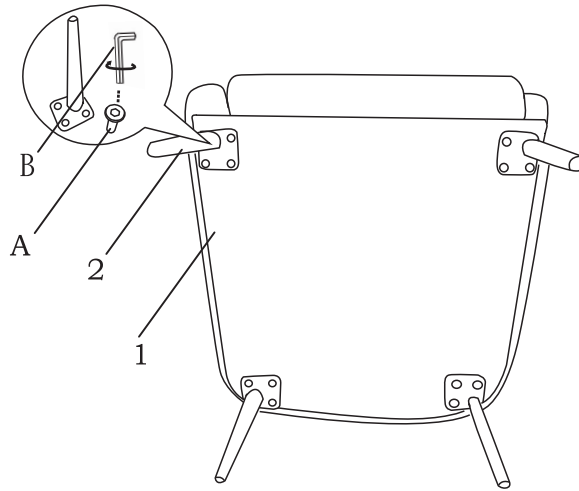
ITEM NAME / NOM D'ITEM: BERKELEY ACCENT CHAIR
ITEM #/NO. ITEM: 109051/109052

PARTS LIST/LISTE DES PIÈCES

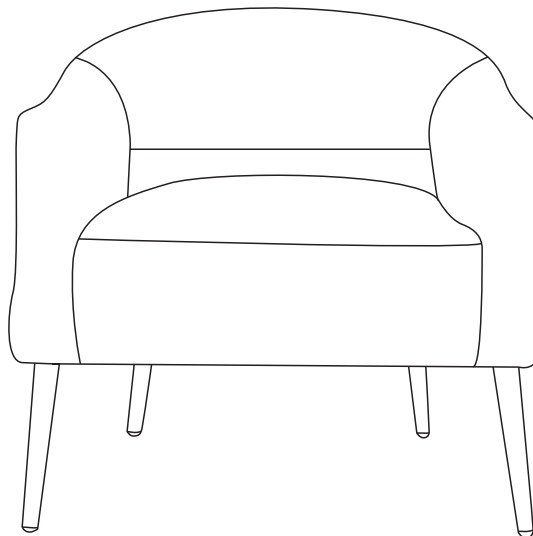
(1)	(2)	(3)
 <p style="text-align: right;">x1</p>	 <p style="text-align: center;">x4</p>	<p>A.  M8x30mm x12</p> <p>B.  6mm x1</p>

ASSEMBLY INSTRUCTIONS/ INSTRUCTIONS D'ASSEMBLAGE

I



II



For missing parts or damaged parts, please call

USA: 1-866-798-6663

Canada: 514-382-6661

AI-VI-210517