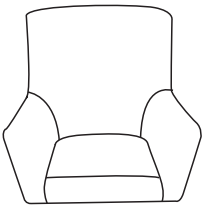
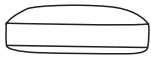

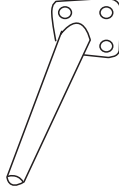

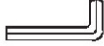


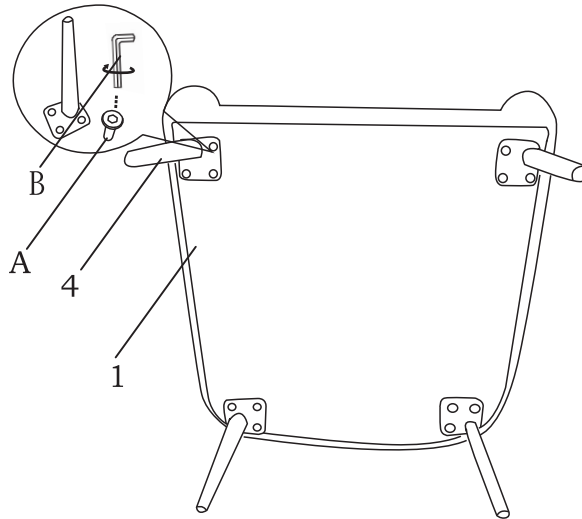
ITEM NAME/NOM D'ITEM: ONTARIO ACCENT CHAIR
ITEM #/NO. ITEM: 109049/109050/109096

PARTS LIST/LISTE DES PIÈCES

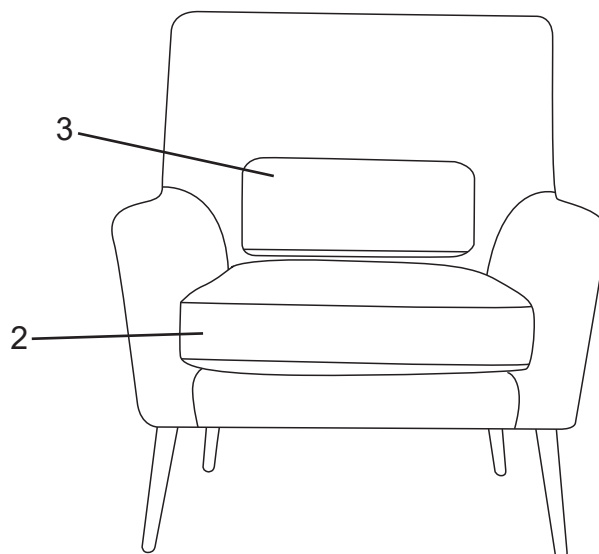
| (1) | (2) | (3) | (4) | (5) |
|--|---|---|---|---|
|  x1 |  x1 |  x1 |  x4 | A.  M8x30mm x12 B.  6mm x1 |

ASSEMBLY INSTRUCTIONS/ INSTRUCTIONS D'ASSEMBLAGE

I



II



For missing parts or damaged parts, please call

USA : 1-866-798-6663

Canada : 514-382-6661

AI-VI-210517