

**ASSEMBLY INSTRUCTIONS
COASTER FINE FURNITURE**



Fine Furniture for every stage of life

508280
SECTIONAL

ITEM: **508280B1**



ASSEMBLY INSTRUCTIONS

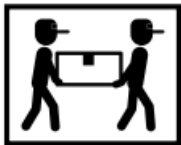
ASSEMBLY TIPS

1. Remove hardware from box and sort by size.
2. Please check to see that all hardware and parts are present prior to start of assembly.
3. Please follow attached instructions in the same sequence as numbered to assure fast & easy assembly.



WARNING!

1. Don't attempt to repair or modify parts that are broken or defective. Please contact the store immediately.
2. This product is for home use only and not intended for commercial establishments.

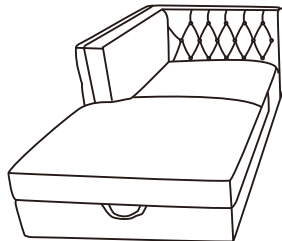


ASSEMBLY TIME

20 MINUTES

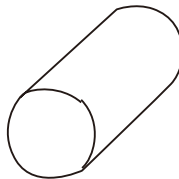
PARTS IDENTIFICATION

(A) LAF CHAISE



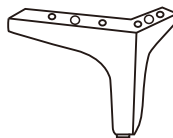
1 PC

(C) LUMBAR PILLOW



1 PC

(D) LEG



4 PCS

Z HARDWARE PACKAGE:

B1 LEGS ARE IN B2

NO	DESCRIPTION	FIGURE	Q'TY	NO	DESCRIPTION	FIGURE	Q'TY
1	SELF - TAPPING SCREW 5 × 30MM		16PCS	3	ALLEN KEY M6		1PCS
2	WASHER M6 × 10 × 1.5MM		16PCS	4	SCREW M6 × 8 × 20MM		8PCS

Note:

Phillips head screw driver is required in the assembly process; however, manufacturer does not provide this item.

ITEM: **508280B2**



ASSEMBLY INSTRUCTIONS

ASSEMBLY TIPS

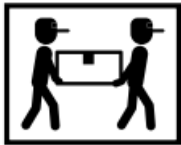
1. Remove hardware from box and sort by size.
2. Please check to see that all hardware and parts are present prior to start of assembly.
3. Please follow attached instructions in the same sequence as numbered to assure fast & easy assembly.



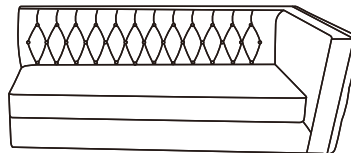
WARNING!

1. Don't attempt to repair or modify parts that are broken or defective. Please contact the store immediately.
2. This product is for home use only and not intended for commercial establishments.

PARTS IDENTIFICATION

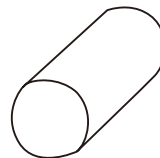


(B) RAF LOVESEAT



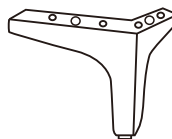
1 PC

(C) LUMBAR PILLOW



1 PC

(D) LEG



4 PCS

(E) PILLOW



1 PC

Z HARDWARE PACKAGE:

B1 LEGS ARE IN B2

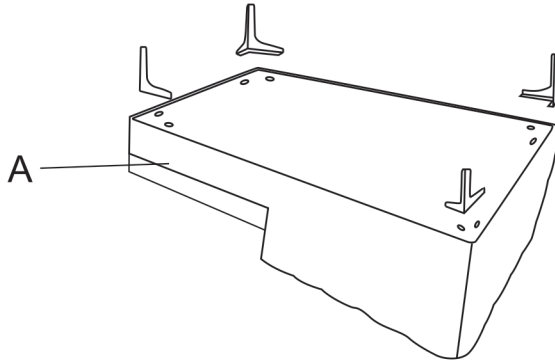
NO	DESCRIPTION	FIGURE	Q'TY	NO	DESCRIPTION	FIGURE	Q'TY
1	SEIF - TAPPING SCREW 5 × 30MM		16PCS	3	ALLEN KEY M6		1PCS
2	WASHER M6 × 10 × 1.5MM		16PCS	4	SCREW M6 × 8 × 20MM		8PCS

Note:

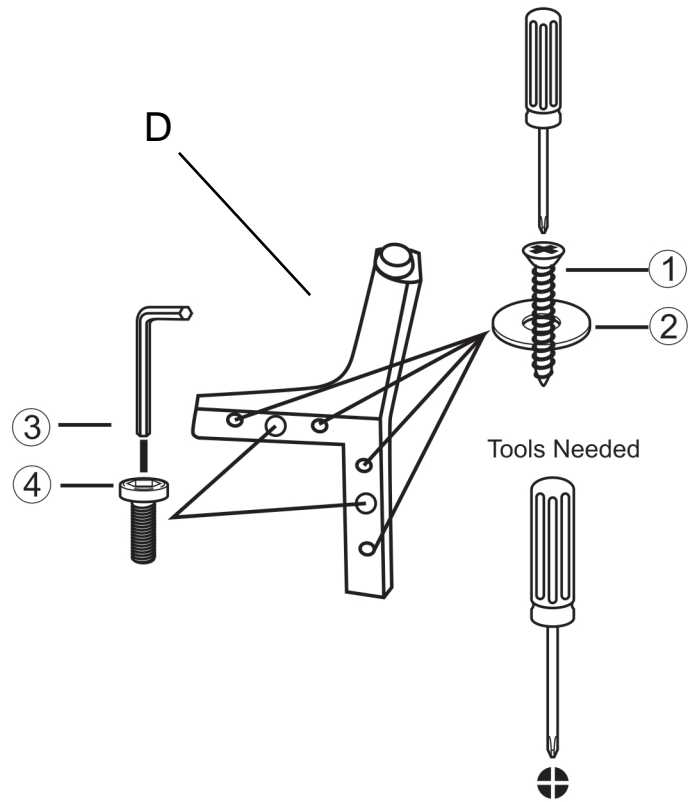
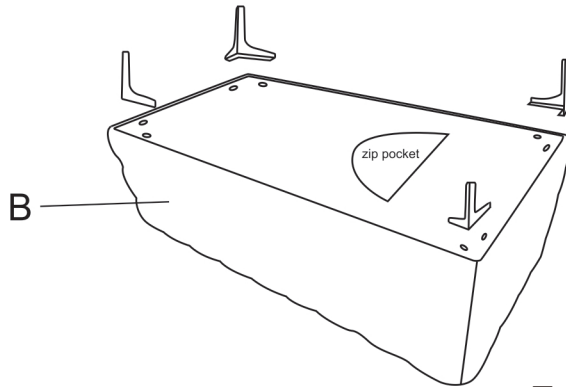
Phillips head screw driver is required in the assembly process;
however, manufacturer does not provide this item.

ITEM: **508280**

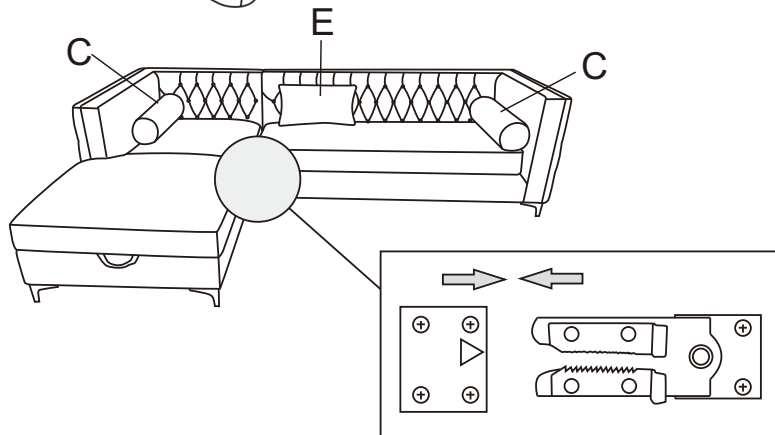
STEP 1



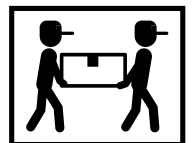
STEP 2



STEP 3



STEP 4



Note: Dimension tolerance $\pm 5\%$

