



ASSEMBLY INSTRUCTIONS
COASTER FINE FURNITURE



Fine Furniture for every stage of life

360050
SLEEPER SOFA

ITEM : 360050

ASSEMBLY INSTRUCTIONS



ASSEMBLY TIPS:

- 1.Remove hardware from box and sort by size.
- 2.Please check to see that all hardware and parts are present prior to start of assembly.
- 3.Please follow attached instruction in the same sequence as numbered to assure fast & easy assembly.



WARNING!




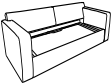
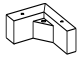
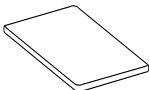
- 1.Don't attempt to repair or modify parts that are broken or defective. Please contact the store immediately.
- 2.This product is for home use only and not intended for commercial establishment.

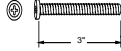




ASSEMBLY TIME

5 MINUTES

PARTS IDENTIFICATION

- A LEFT BACK CUSHION  1PC
- B RIGHT BACK CUSHION  1PC
- C SEAT CUSHION  2PCS
- D SLEEPER SOFA FRAME  1PC
- E LEG  4PCS
- F FOAM PAD  1PC

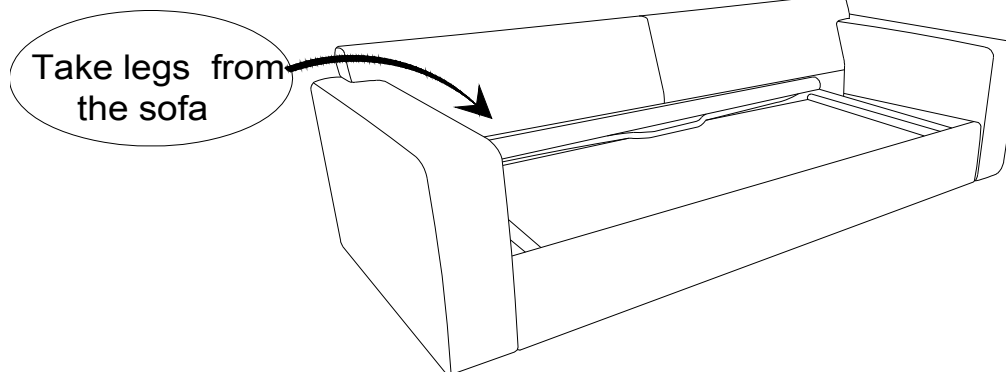
Z		HARDWARE PACKAGE	
NO	DESCRIPTION	FIGURE	QTY
1	BOLT 5/16" x 3"		4PCS
2	WOOD SCREW M4 x 60mm		4PCS
3	PLASTIC CAP Ø19.5 x 18.5mm		8PCS

ITEM : 360050

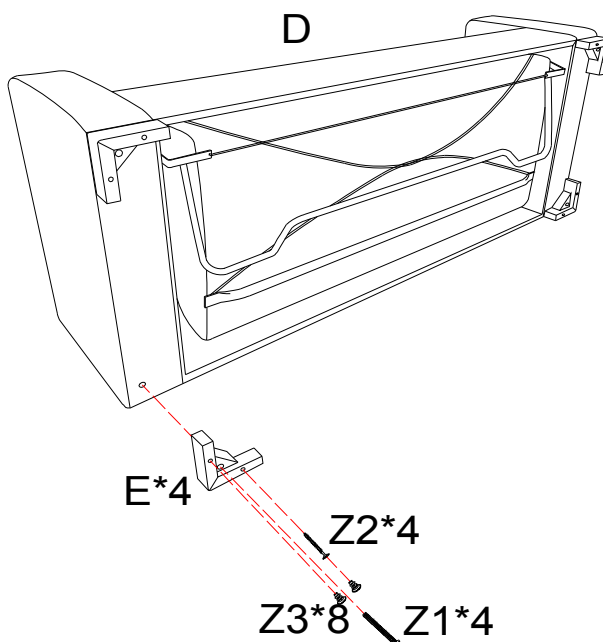
ASSEMBLY INSTRUCTIONS



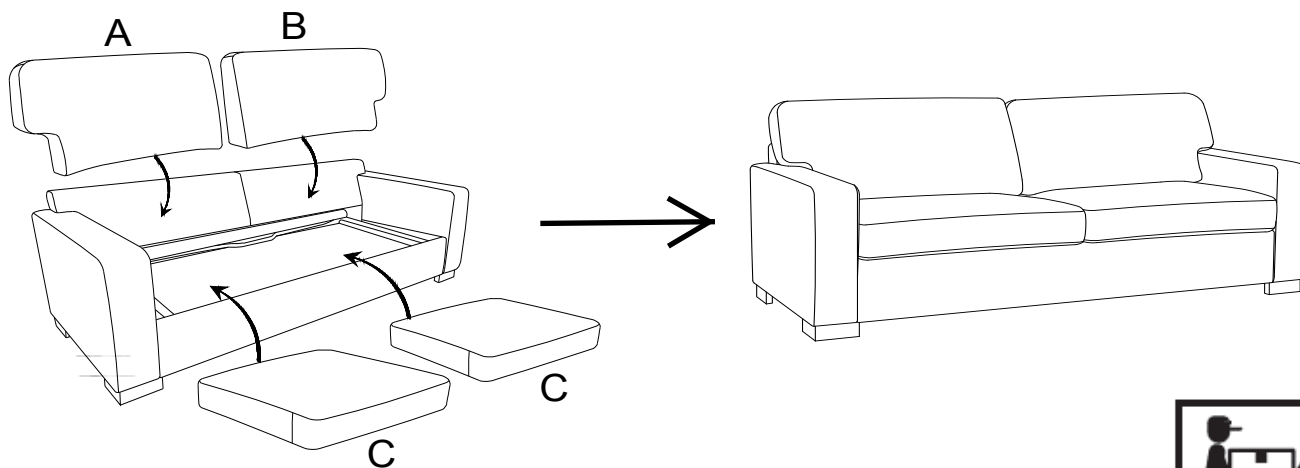
STEP 1



STEP 2



STEP 3

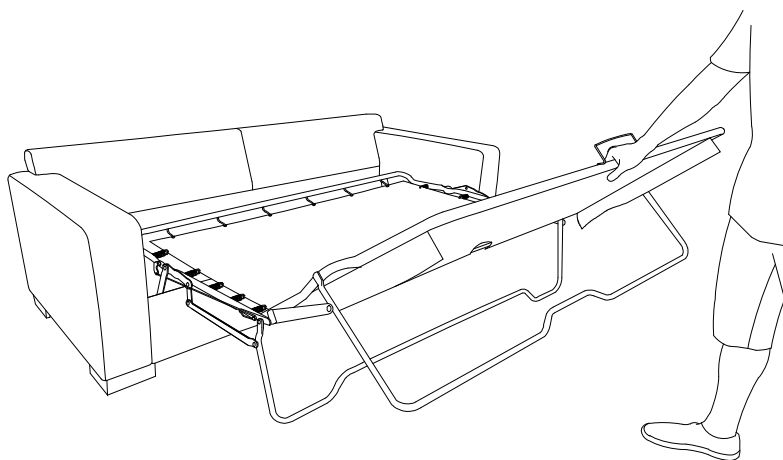


ITEM : 360050

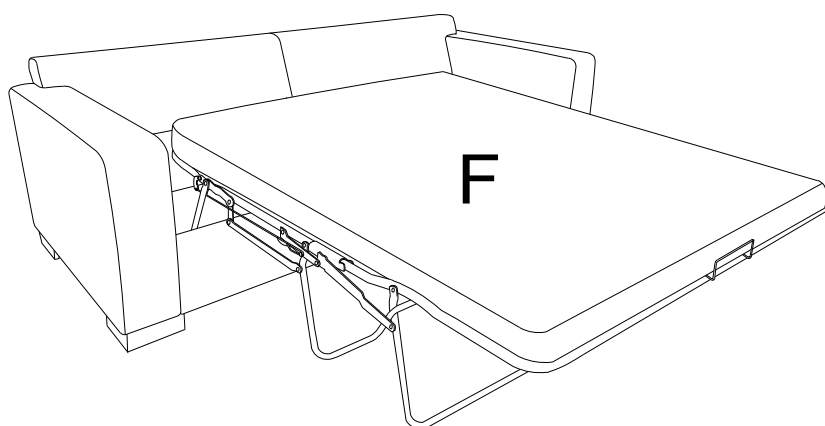
ASSEMBLY INSTRUCTIONS



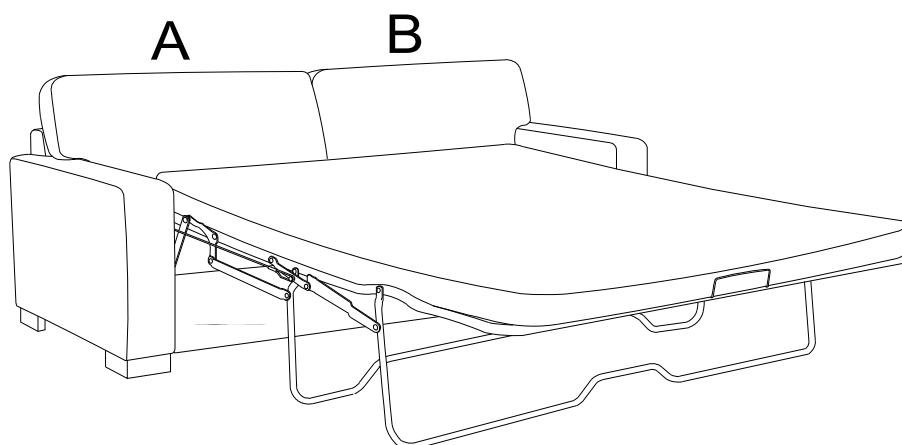
STEP 1



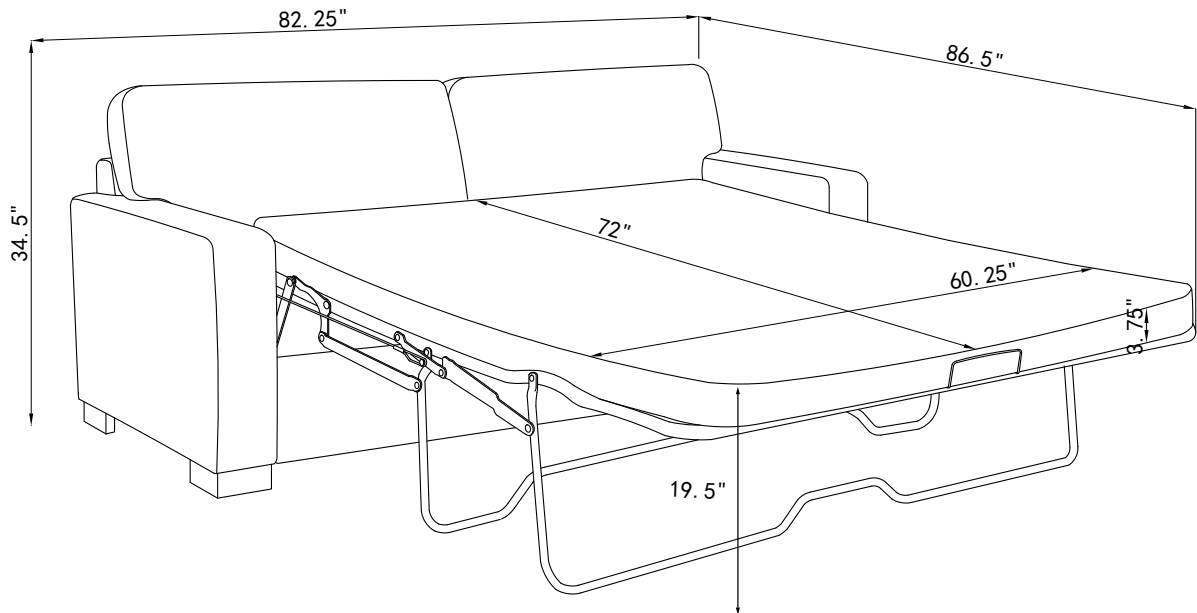
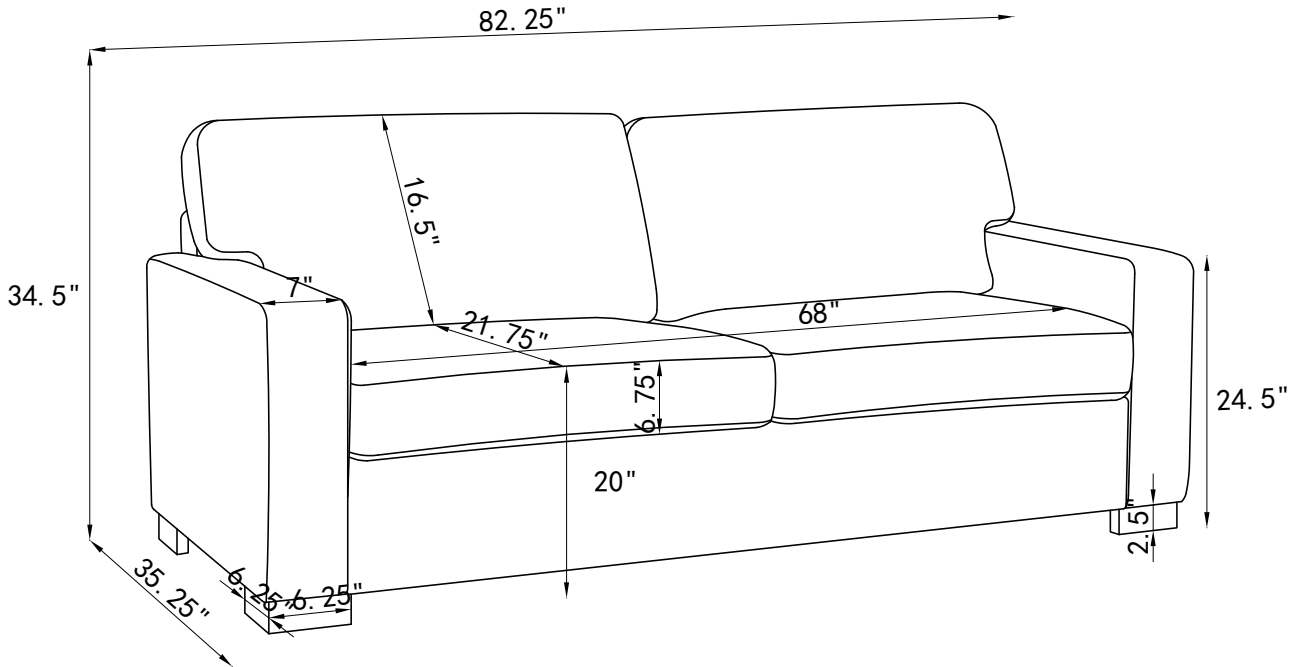
STEP 2



STEP 3



ITEM : 360050



Note: Dimension tolerance $\pm 5\%$

