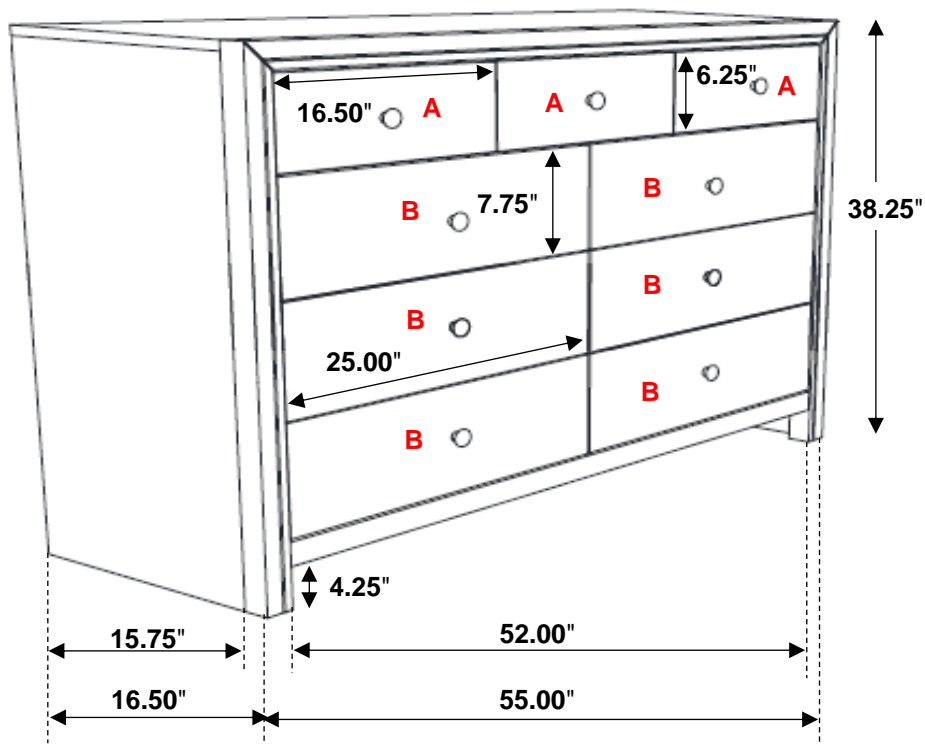


ITEM: **201973**

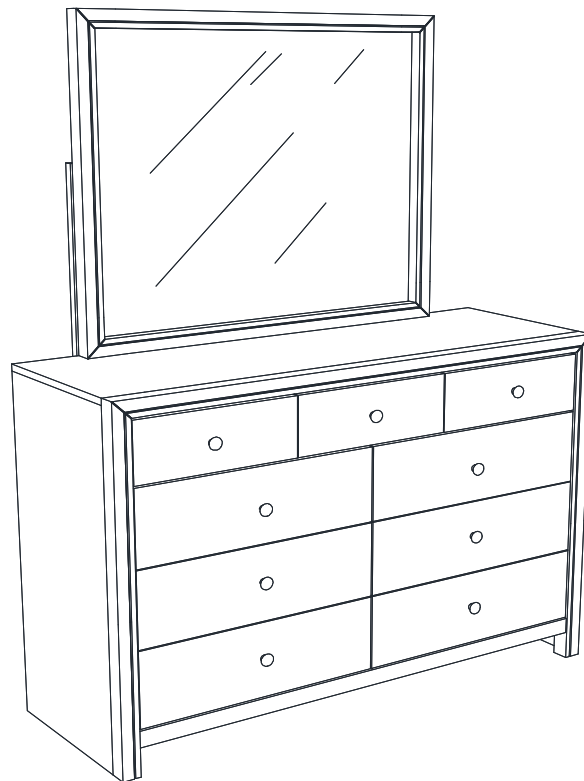


Inner Size of Drawer A: 14.25"W X 12.50"D X 4.00"H X 0.25"T  
Inner Size of Drawer B: 23.25"W X 12.50"D X 4.00"H X 0.25"T



Note: Dimension tolerance  $\pm 5\%$

*ASSEMBLY INSTRUCTIONS*  
*COASTER FINE FURNITURE*



*Fine Furniture for every stage of life*

**201974**  
***Mirror***

REVISION 0 : 07/24/2011  
REVISION 1 : 09/14/2011  
REVISION 2 : 10/01/2018  
REVISION 3 : 12/04/2018  
REVISION 4 : 07/07/2020

ITEM:201974



## ASSEMBLY INSTRUCTIONS

### ASSEMBLY TIPS:

1. Remove hardware from box and sort by size.
2. Please check to see that all hardware and parts are present prior to start of assembly.
3. Please follow attached instructions in the same sequence as numbered to assure fast & easy assembly.



### WARNING!



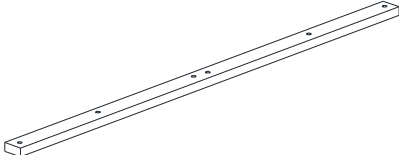
1. Don't attempt to repair or modify parts that are broken or defective. Please contact the store immediately.
2. This product is for home use only and not intended for commercial establishments.



ASSEMBLY TIME

10 MINUTES

## PARTS IDENTIFICATION

A	MIRROR		1PC
B	DRESSER FROM BOX ITEM # 201973		1PC
C	MIRROR SUPPORT (PACKED WITH DRESSER)		2PCS

## HARDWARE IDENTIFICATION

1	FLAT HEAD SCREW (M4 x 32mm - RBW)		10PCS
---	--------------------------------------	--	-------

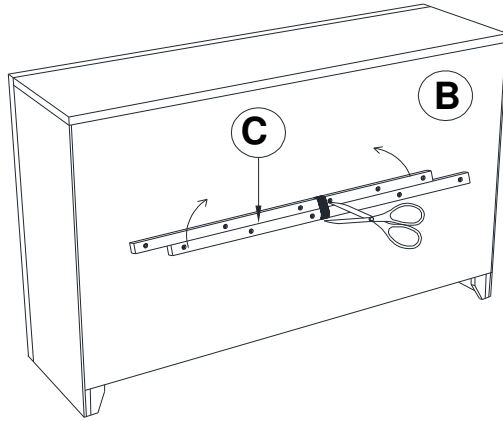
### NOTE:

Phillips head screw driver is required in the assembly process; however, manufacturer does not provide this item.

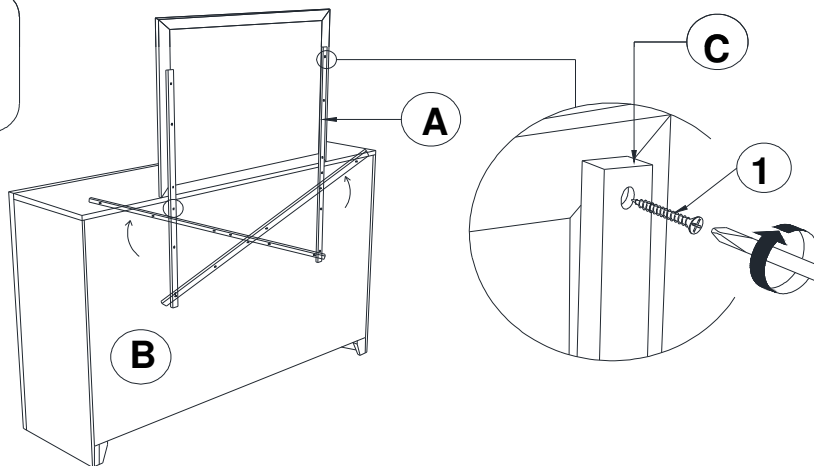
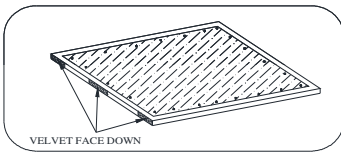
ITEM: 201974

# ASSEMBLY INSTRUCTIONS

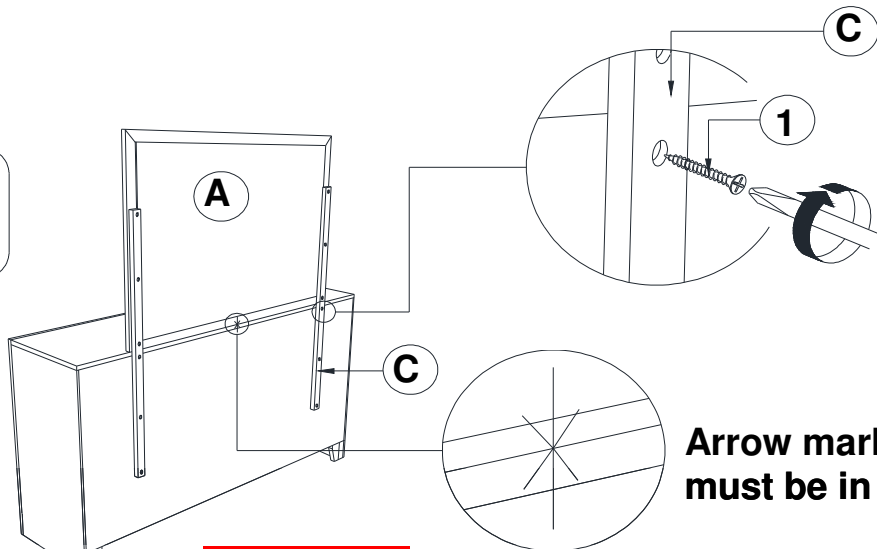
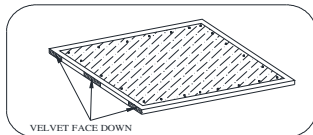
## STEP 1



## STEP 2



## STEP 3



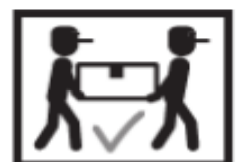
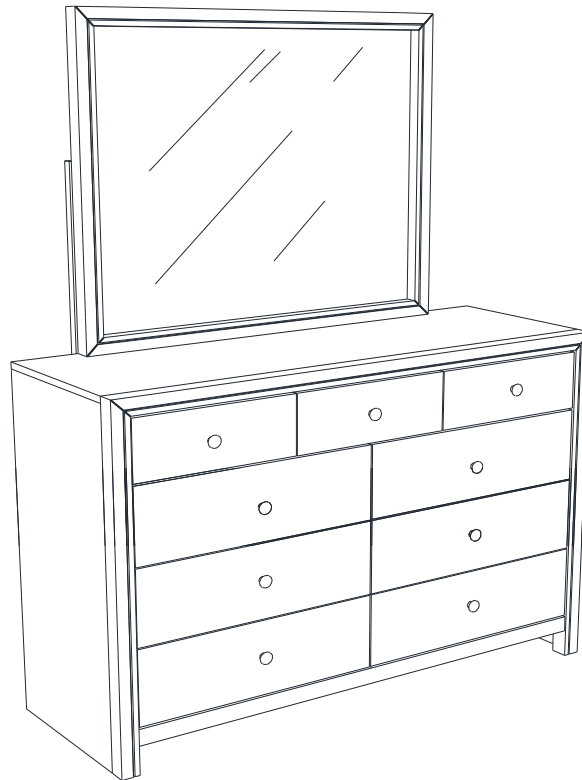
ITEM: **201974**



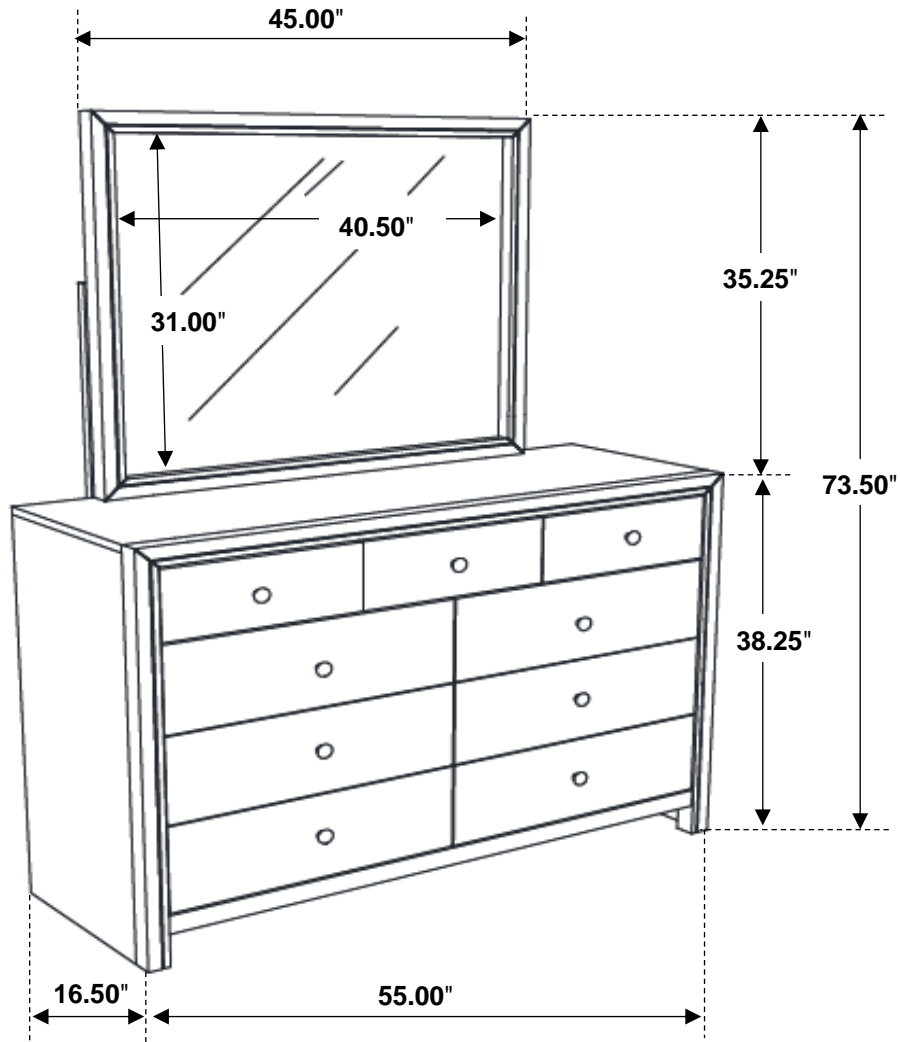
**ASSEMBLY INSTRUCTIONS**

**STEP 4**

**COMPLETE**



ITEM: 201974



Note: Dimension tolerance  $\pm 5\%$