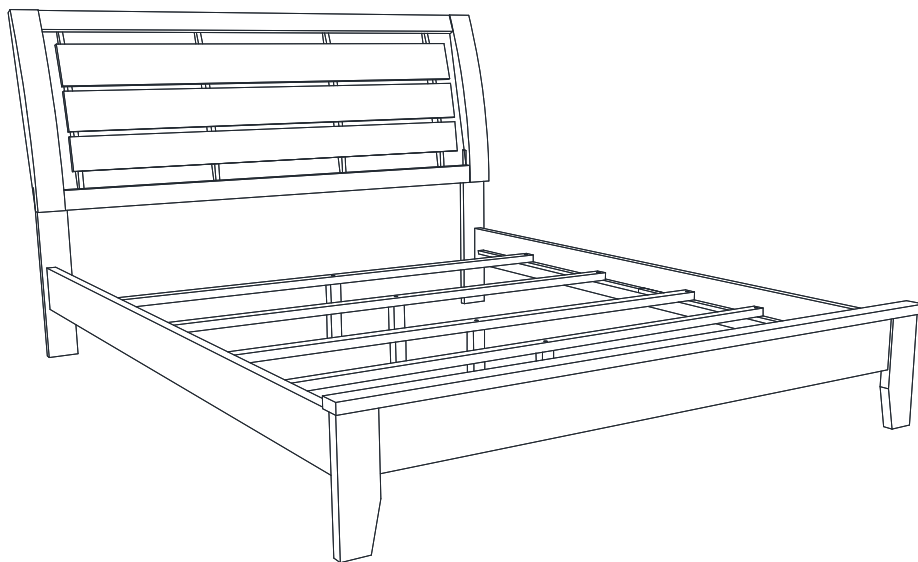


***ASSEMBLY INSTRUCTIONS***  
***COASTER FINE FURNITURE***



*Fine Furniture for every stage of life*

**201971Q (B1&B2)**  
***Queen Bed***

REVISION 0 : 07/25/2011  
REVISION 1 : 09/13/2011  
REVISION 2 : 01/30/2012  
REVISION 3 : 12/23/2014  
REVISION 4 : 10/01/2018  
REVISION 5 : 12/04/2018  
REVISION 6 : 07/07/2020

# ITEM: 201971Q (B1&B2)



## ASSEMBLY INSTRUCTIONS

### ASSEMBLY TIPS:

1. Remove hardware from box and sort by size.
2. Please check to see that all hardware and parts are present prior to start of assembly.
3. Please follow attached instructions in the same sequence as numbered to assure fast & easy assembly.

### WARNING!



1. Don't attempt to repair or modify parts that are broken or defective. Please contact the store immediately.
2. This product is for home use only and not intended for commercial establishments.



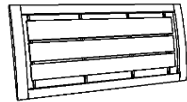
ASSEMBLY TIME

20 MINUTES

## PARTS IDENTIFICATION

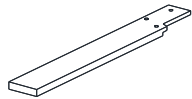
### B1 ( BOX 1 )

A HEADBOARD PANEL



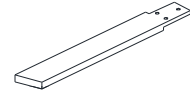
1PC

B LEFT HEADBOARD LEG



1PC

C RIGHT HEADBOARD LEG



1PC

D FOOTBOARD



1PC

### B2 ( BOX 2 )

E BED SLAT



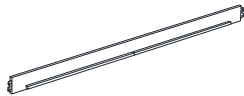
4PCS

F BED SLAT SUPPORT WITH LEVELER



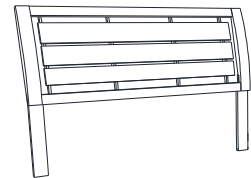
4PCS

G BED RAIL



2PCS

HB 201971Q (B1) FROM BOX 1 HEADBOARD COMPLETE



1PC

D 201971Q (B1) FROM BOX 1 FOOTBOARD



1PC

# ITEM: 201971Q (B1&B2)



## ASSEMBLY INSTRUCTIONS

### ASSEMBLY TIPS:

1. Remove hardware from box and sort by size.
2. Please check to see that all hardware and parts are present prior to start of assembly.
3. Please follow attached instructions in the same sequence as numbered to assure fast & easy assembly.

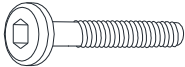





### WARNING!

1. Don't attempt to repair or modify parts that are broken or defective. Please contact the store immediately.
2. This product is for home use only and not intended for commercial establishments.

## HARDWARE IDENTIFICATION

### Z-B1 (BOX 1) - HARDWARE PACK IS LOCATED IN 201971Q (B1)

1	<b>BOLT</b> ( M6x30MM - BLK)		6PCS	3	<b>FLAT WASHER</b> (1/4" X 13mm - BLK)		6PCS
2	<b>ALLEN WRENCH</b> (M4 x 60mm - BLK)		1PC	4	<b>LOCK WASHER</b> (1/4" - BLK)		6PCS

### Z-B2 (BOX 2) - HARDWARE PACK IS LOCATED IN 201971Q (B2)

5	<b>FLAT HEAD SCREW</b> ( M4x32mm - RBW)		8PCS
---	--	---	------

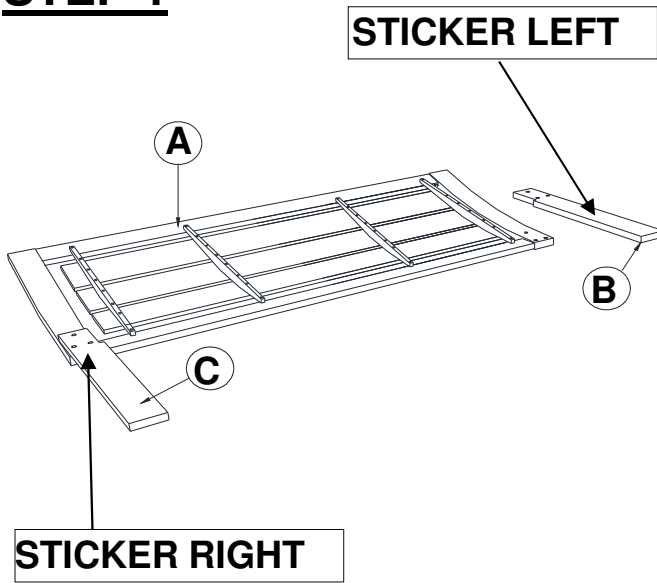
### NOTE:

Phillips head screw driver is required in the assembly process; however, manufacturer does not provide this item.

# ITEM: 201971Q (B1&B2)

## ASSEMBLY INSTRUCTIONS

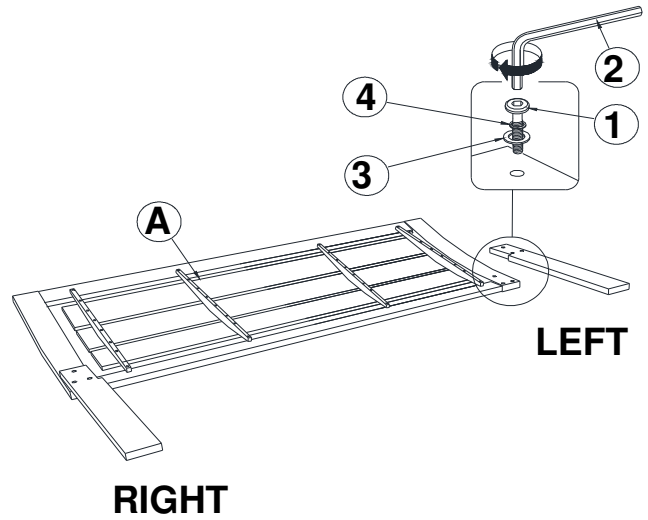
### STEP 1



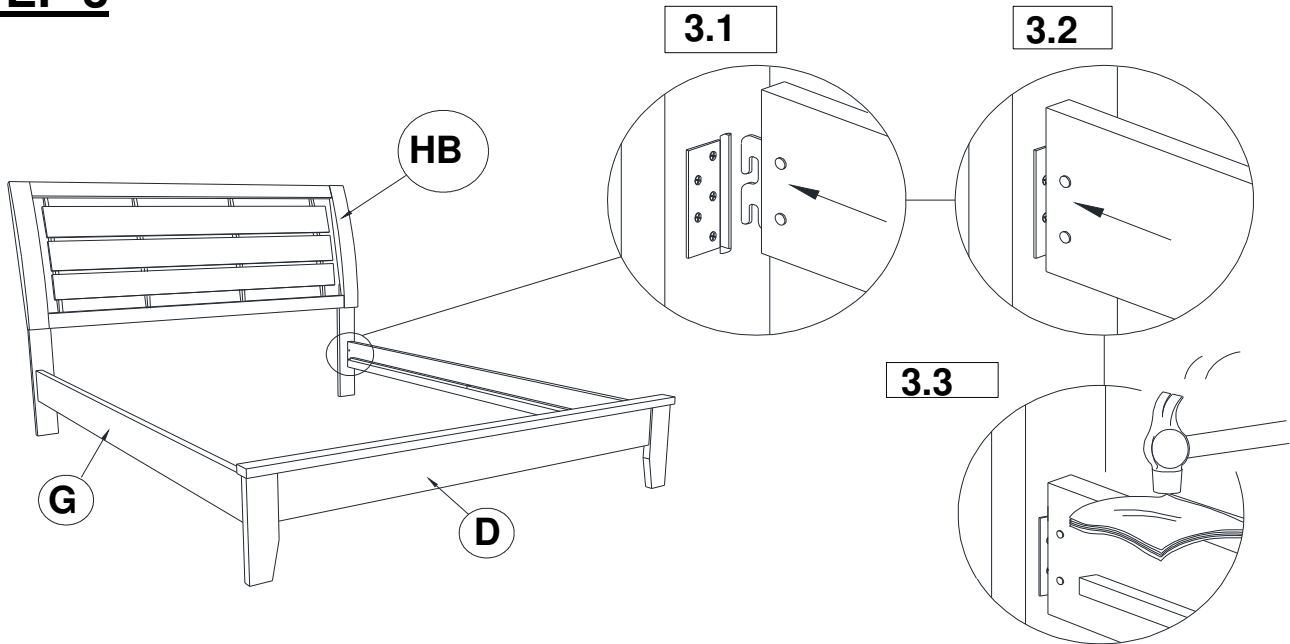
**\*\*BACK VIEW\*\***

Note: Please take note of the marking sticker (L & R) on the headboard legs.

### STEP 2



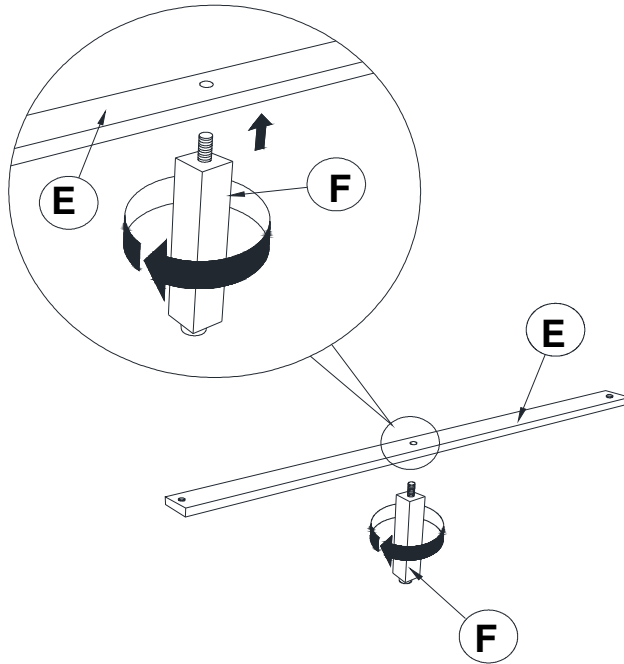
### STEP 3



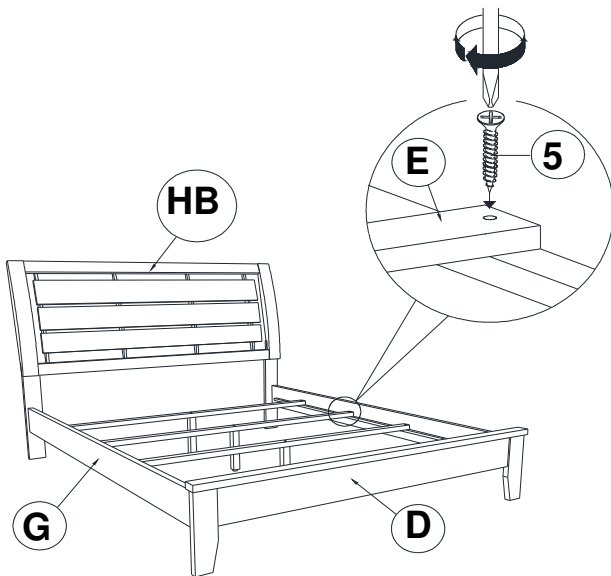
ITEM: **201971Q (B1&B2)**



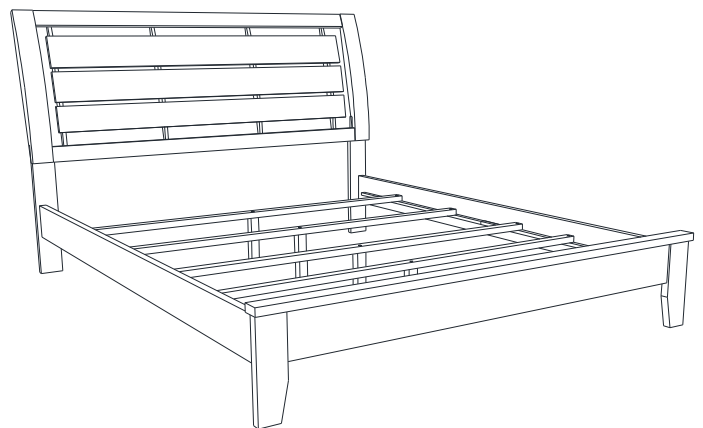
**ASSEMBLY INSTRUCTIONS**  
**STEP 4**



**STEP 5**



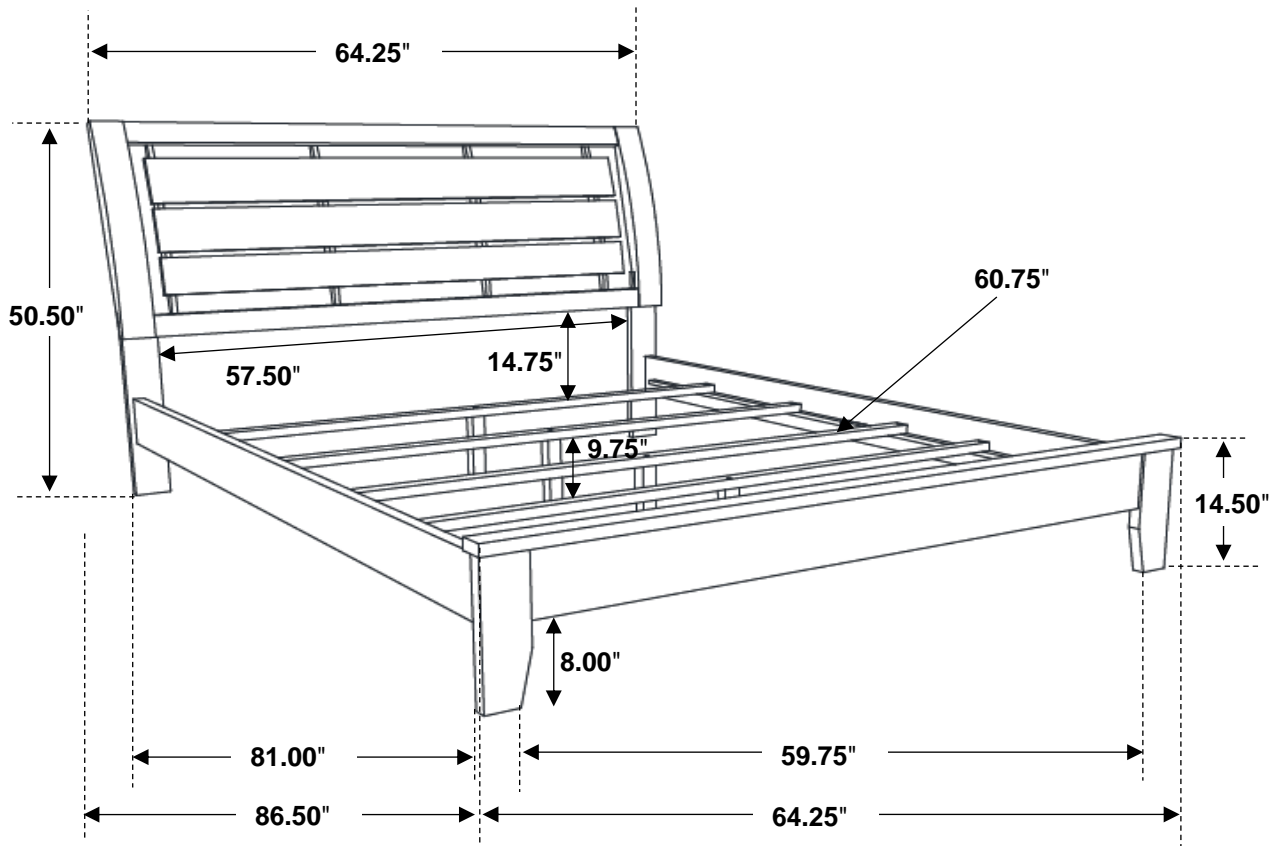
**STEP 6**  
**COMPLETE**



# ITEM: 201971Q(B1&B2)



Inner Size: 61.00"W X 81.00"D



Note: Dimension tolerance  $\pm 5\%$