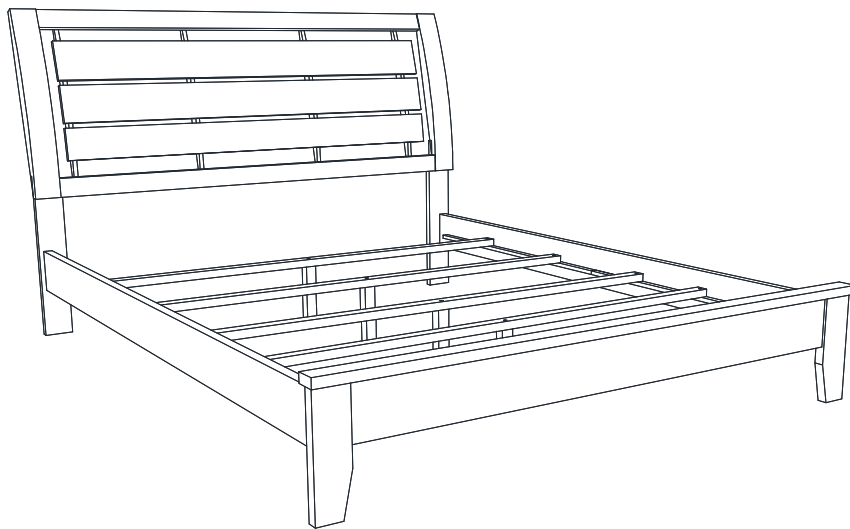


ASSEMBLY INSTRUCTIONS
COASTER FINE FURNITURE



Fine Furniture for every stage of life

201971F (B1&B2)
Full Bed

REVISION 0 : 06/11/2013
REVISION 1 : 12/23/2014
REVISION 2 : 10/01/2018
REVISION 3 : 12/04/2018
REVISION 4 : 07/07/2020

ITEM: 201971F (B1&B2)



ASSEMBLY INSTRUCTIONS

ASSEMBLY TIPS:

1. Remove hardware from box and sort by size.
2. Please check to see that all hardware and parts are present prior to start of assembly.
3. Please follow attached instructions in the same sequence as numbered to assure fast & easy assembly.



WARNING!

1. Don't attempt to repair or modify parts that are broken or defective. Please contact the store immediately.
2. This product is for home use only and not intended for commercial establishments.



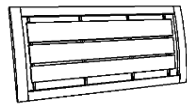
ASSEMBLY TIME

20 MINUTES

PARTS IDENTIFICATION

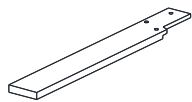
B1 (BOX 1)

A HEADBOARD PANEL



1PC

B LEFT HEADBOARD LEG



1PC

C RIGHT HEADBOARD LEG



1PC

D FOOTBOARD



1PC

B2 (BOX 2)

E BED SLAT



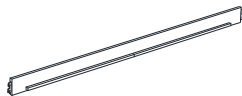
4PCS

F BED SLAT SUPPORT WITH LEVELER



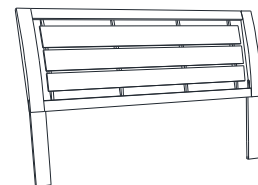
4PCS

G BED RAIL



2PCS

HB 201971F (B1) FROM BOX 1 HEADBOARD COMPLETE



1PC

D 201971F (B1) FROM BOX 1 FOOTBOARD



1PC

ITEM: 201971F (B1&B2)



ASSEMBLY INSTRUCTIONS

ASSEMBLY TIPS:

1. Remove hardware from box and sort by size.
2. Please check to see that all hardware and parts are present prior to start of assembly.
3. Please follow attached instructions in the same sequence as numbered to assure fast & easy assembly.

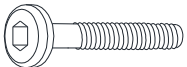





WARNING!

1. Don't attempt to repair or modify parts that are broken or defective. Please contact the store immediately.
2. This product is for home use only and not intended for commercial establishments.

HARDWARE IDENTIFICATION

Z-B1 (BOX 1) - HARDWARE PACK IS LOCATED IN 201971F (B1)

1	BOLT (M6x30mm - BLK)		6PCS	3	FLAT WASHER (1/4" X 13mm - BLK)		6PCS
2	ALLEN WRENCH (M4 x 60mm - BLK)		1PC	4	LOCK WASHER (1/4" - BLK)		6PCS

Z-B2 (BOX 2) - HARDWARE PACK IS LOCATED IN 201971F (B2)

5	FLAT HEAD SCREW (M4x32mm - RBW)		8PCS
---	--	---	------

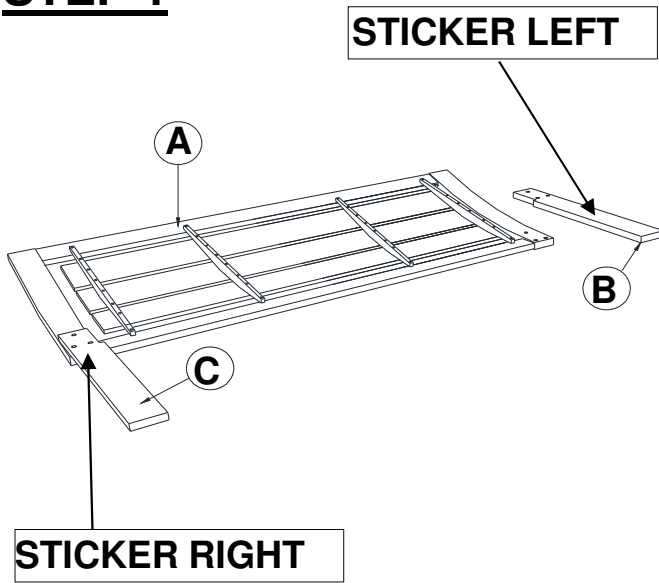
NOTE:

Phillips head screw driver is required in the assembly process; however, manufacturer does not provide this item.

ITEM: 201971F (B1&B2)

ASSEMBLY INSTRUCTIONS

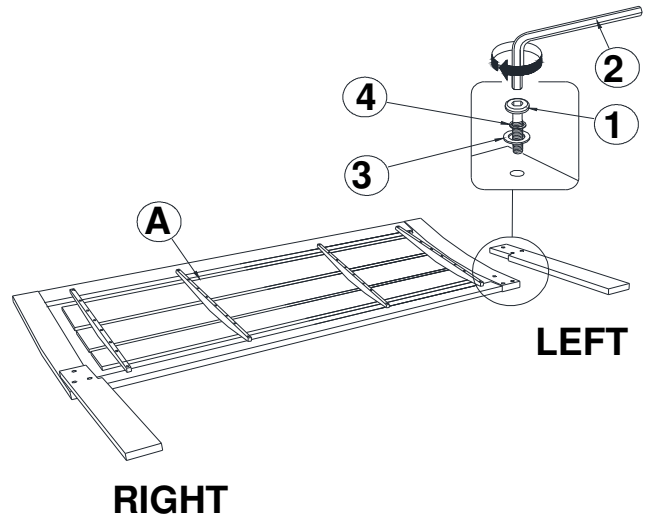
STEP 1



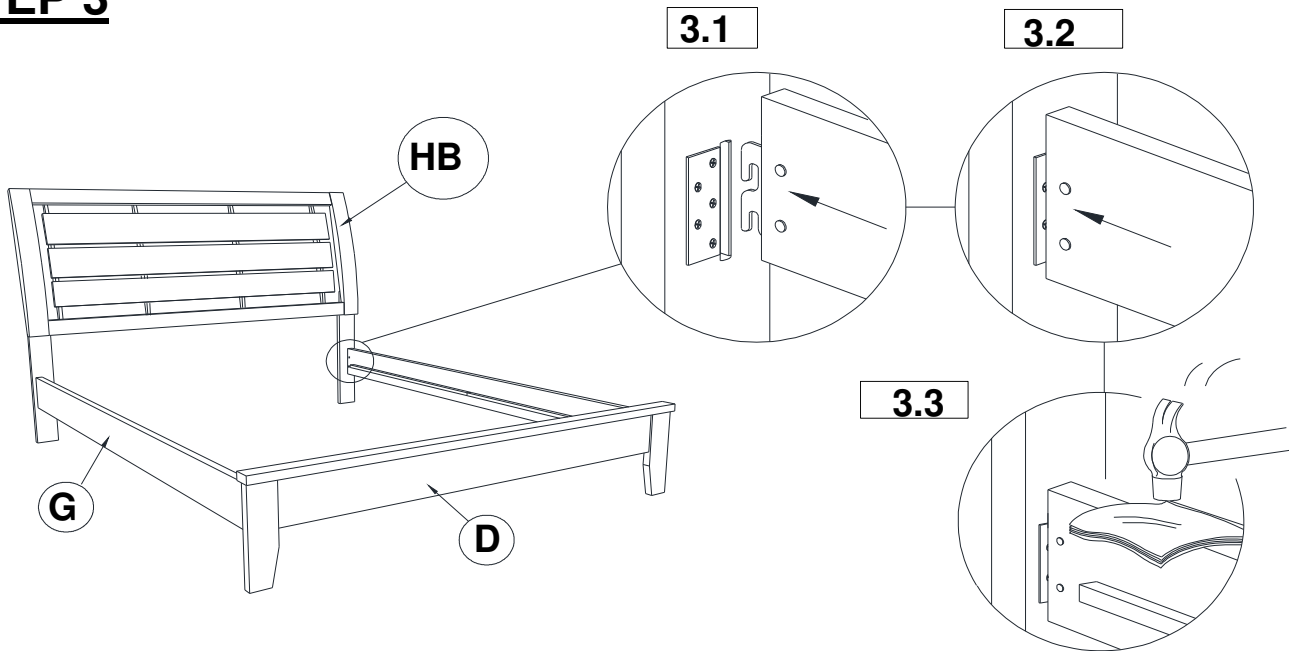
****BACK VIEW****

Note: Please take note of the marking sticker (L & R) on the headboard legs.

STEP 2



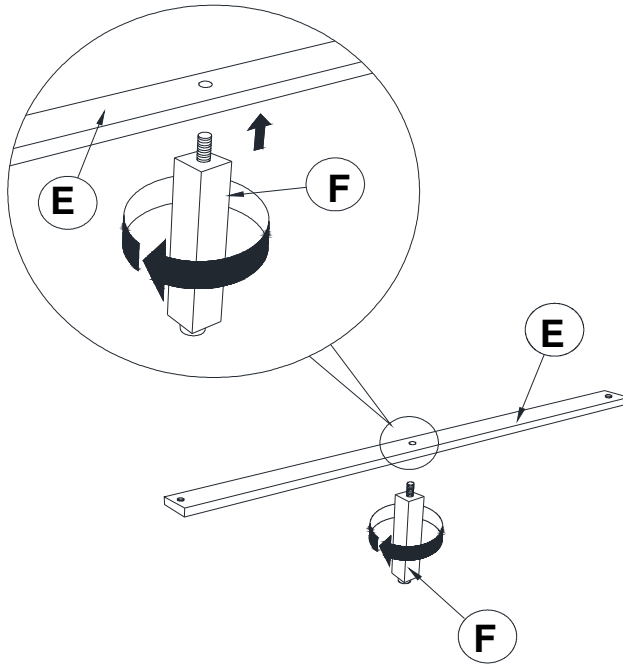
STEP 3



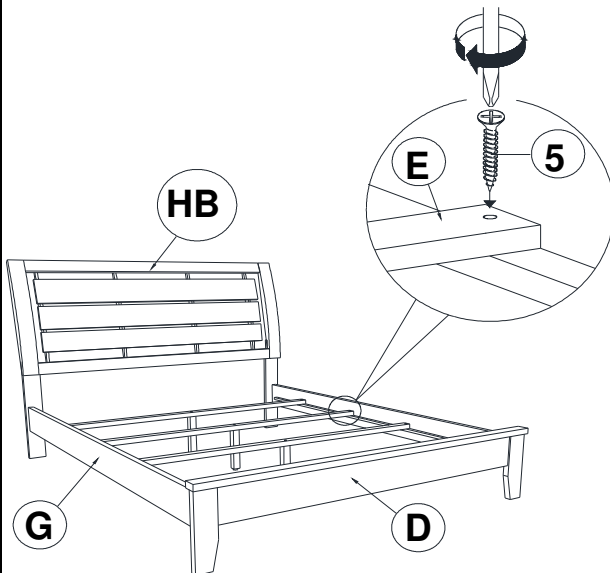
ITEM: **201971F (B1&B2)**



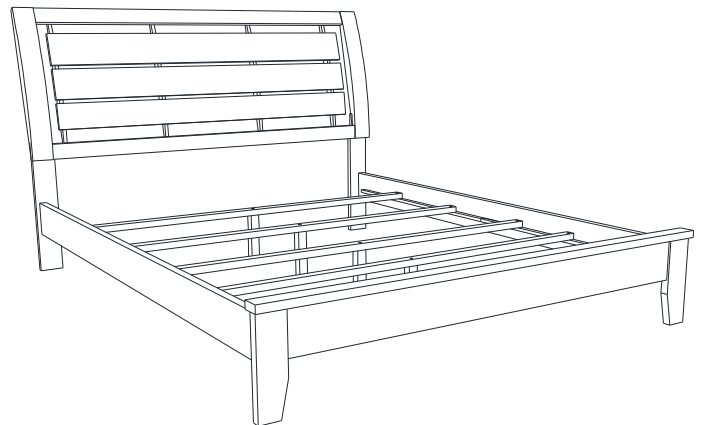
ASSEMBLY INSTRUCTIONS
STEP 4



STEP 5



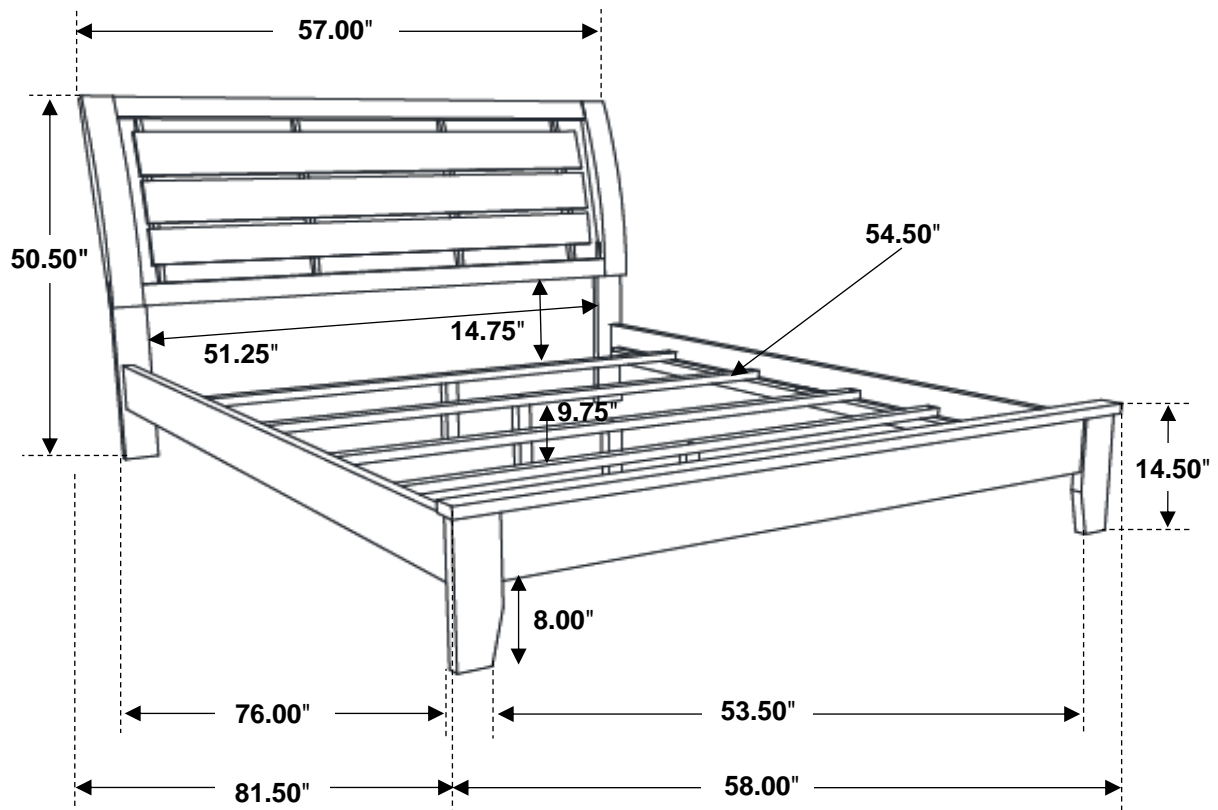
STEP 6
COMPLETE



ITEM: 201971F(B1&B2)



Inner Size: 54.75"W X 76.00"D



Note: Dimension tolerance $\pm 5\%$