

*ASSEMBLY INSTRUCTIONS*  
*COASTER FINE FURNITURE*



*Fine Furniture for every stage of life*

**200893**  
***Dresser***

ITEM:200893



## ASSEMBLY INSTRUCTIONS

### ASSEMBLY TIPS:

1. Remove hardware from box and sort by size.
2. Please check to see that all hardware and parts are present prior to start of assembly.
3. Please follow attached instructions in the same sequence as numbered to assure fast & easy assembly.



### WARNING!

1. Don't attempt to repair or modify parts that are broken or defective. Please contact the store immediately.
2. This product is for home use only and not intended for commercial establishments.

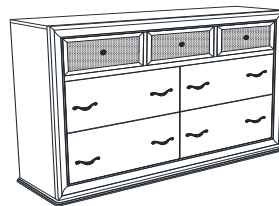


ASSEMBLY TIME

5 MINUTES

## PARTS IDENTIFICATION

A DRESSER



1PC

B BUN FOOT



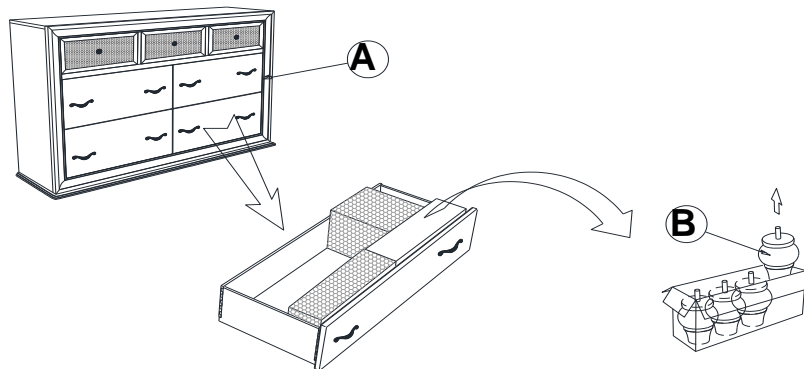
4PCS

ITEM: **200893**

**ASSEMBLY INSTRUCTIONS**

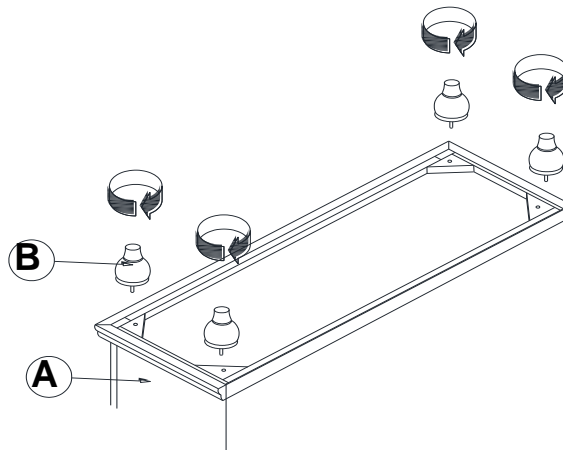


**STEP 1**

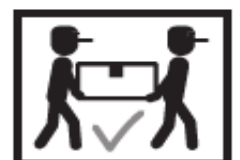


**BOTTOM DRAWER BOX**

**STEP 2**



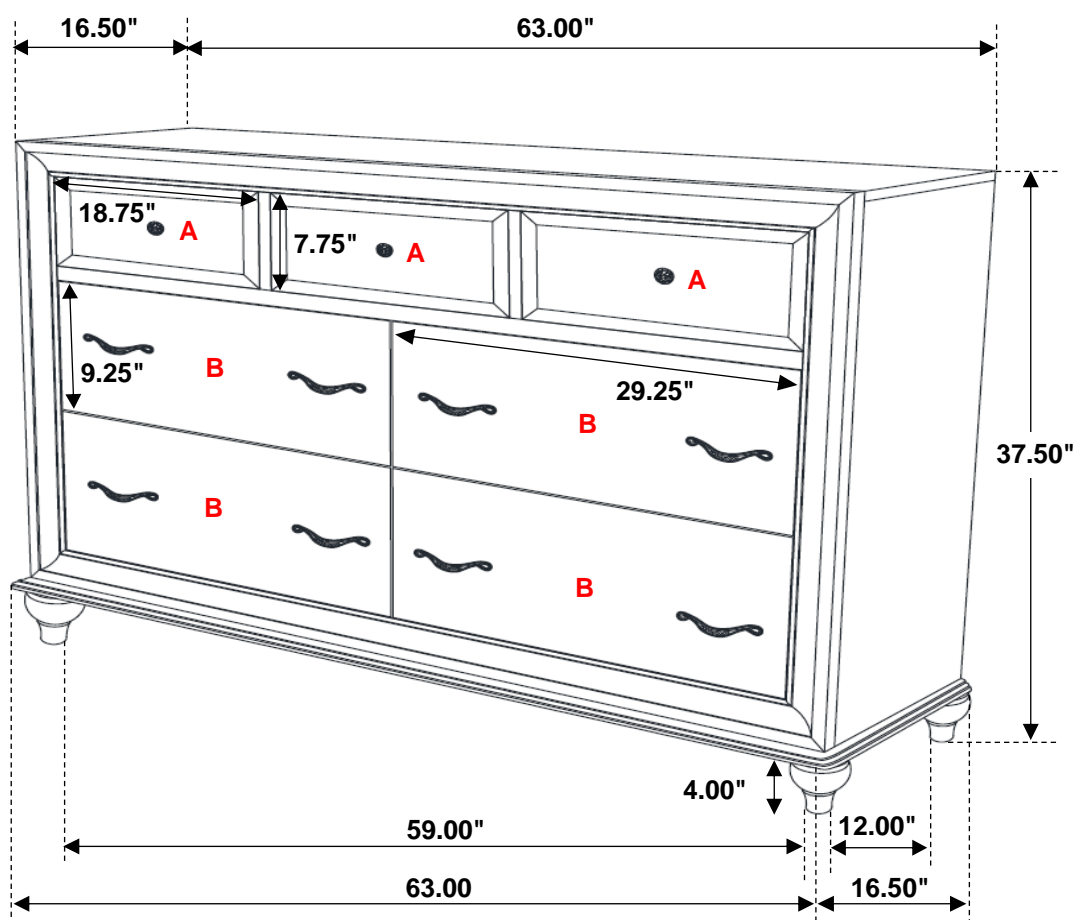
**STEP 3**  
**COMPLETE**



ITEM:200893



Inner Size of Drawer A : 17.00"W X 12.50"D X 5.00"H X 0.25"T  
Inner Size of Drawer B : 27.25"W X 12.50"D X 5.00"H X 0.25"T



Note: Dimension tolerance  $\pm 5\%$

*ASSEMBLY INSTRUCTIONS*  
*COASTER FINE FURNITURE*



*Fine Furniture for every stage of life*

**200894**  
***Mirror***

# ITEM: 200894



## ASSEMBLY INSTRUCTIONS

### ASSEMBLY TIPS:

1. Remove hardware from box and sort by size.
2. Please check to see that all hardware and parts are present prior to start of assembly.
3. Please follow attached instructions in the same sequence as numbered to assure fast & easy assembly.



### WARNING!

1. Don't attempt to repair or modify parts that are broken or defective. Please contact the store immediately.
2. This product is for home use only and not intended for commercial establishments.

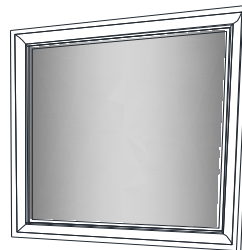


ASSEMBLY TIME

8 MINUTES

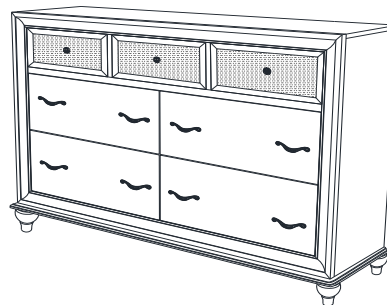
## PARTS IDENTIFICATION

A MIRROR



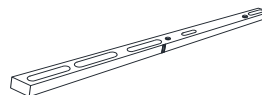
1PC

B DRESSER  
FROM BOX ITEM  
#200893



1PC

C MIRROR SUPPORT  
(PACKED WITH MIRROR)



2PCS

# ITEM: 200894



## ASSEMBLY INSTRUCTIONS

### ASSEMBLY TIPS:






1. Remove hardware from box and sort by size.
2. Please check to see that all hardware and parts are present prior to start of assembly.
3. Please follow attached instructions in the same sequence as numbered to assure fast & easy assembly.



### WARNING!

1. Don't attempt to repair or modify parts that are broken or defective. Please contact the store immediately.
2. This product is for home use only and not intended for commercial establishments.

## HARDWARE IDENTIFICATION

1	<b>SHORT BOLT</b> (M6 x 35mm - BLK)		4PCS
2	<b>LONG BOLT</b> (M6 x 40mm - BLK)		4PCS
3	<b>LOCK WASHER</b> (1/4" - BLK)		8PCS
4	<b>FLAT WASHER</b> (1/4" ID x 19mm - BLK)		8PCS
5	<b>ALLEN WRENCH</b> (M4 x 60mm - BLK)		1PC

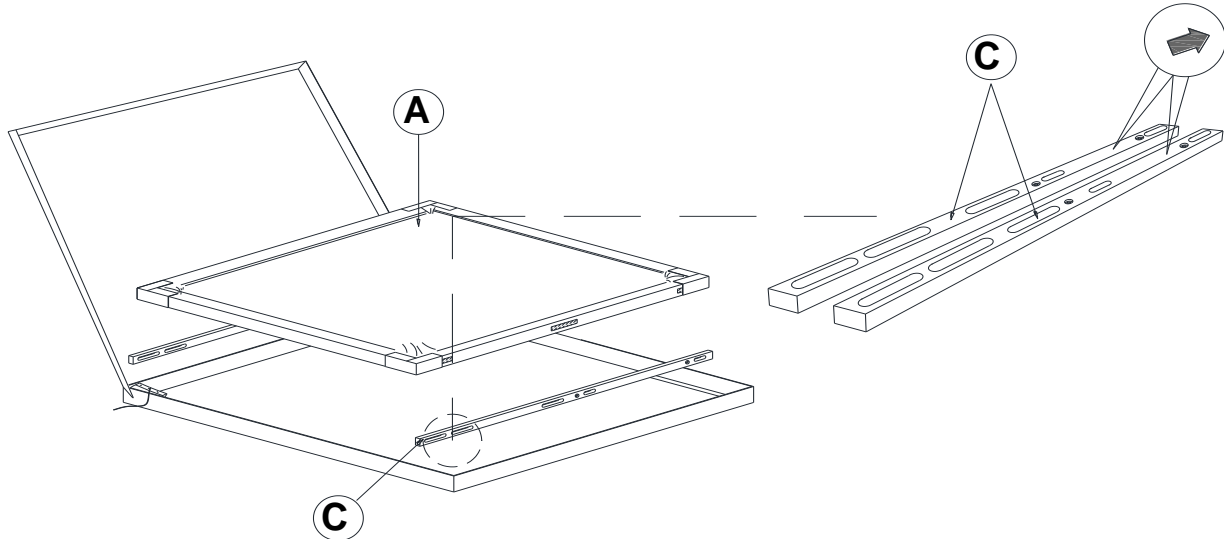
ITEM: **200894**



## ASSEMBLY INSTRUCTIONS

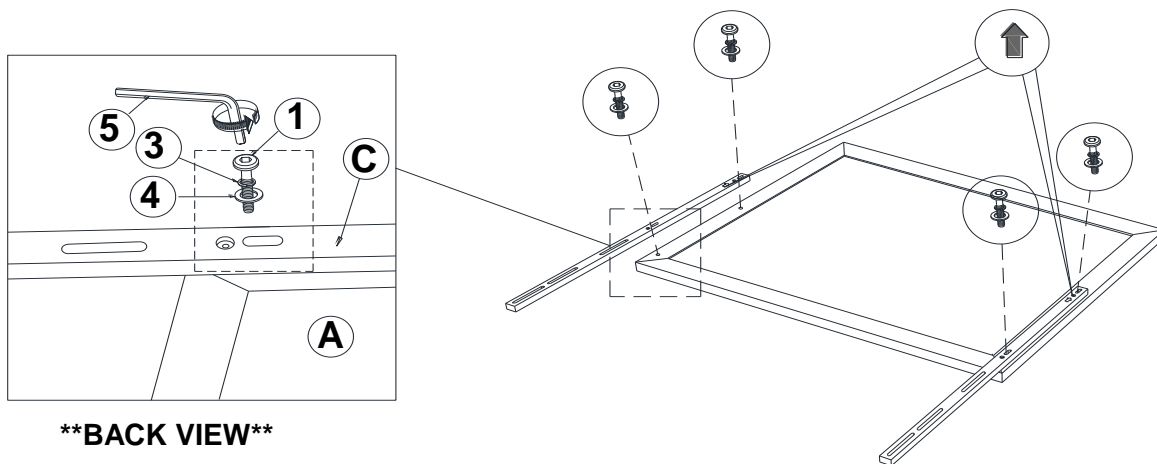
### STEP 1

ARROW MARKING FACE UPWARD



### STEP 2

ARROW MARKING FACE UPWARD



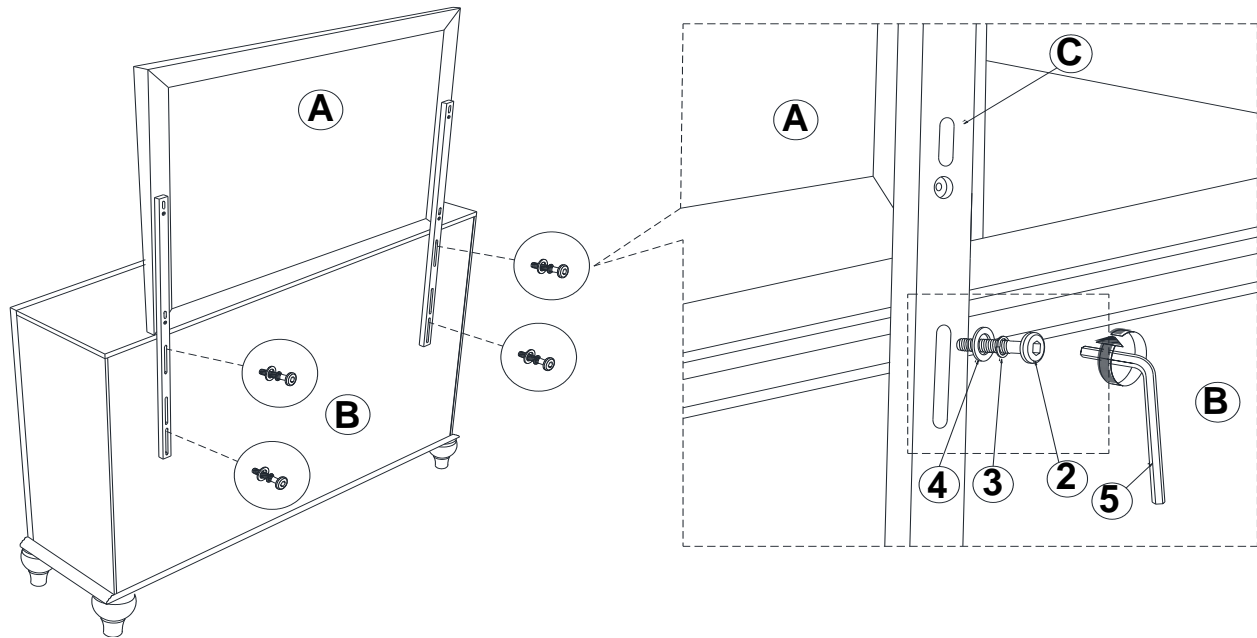


ITEM: **200894**



## ASSEMBLY INSTRUCTIONS

### STEP 3

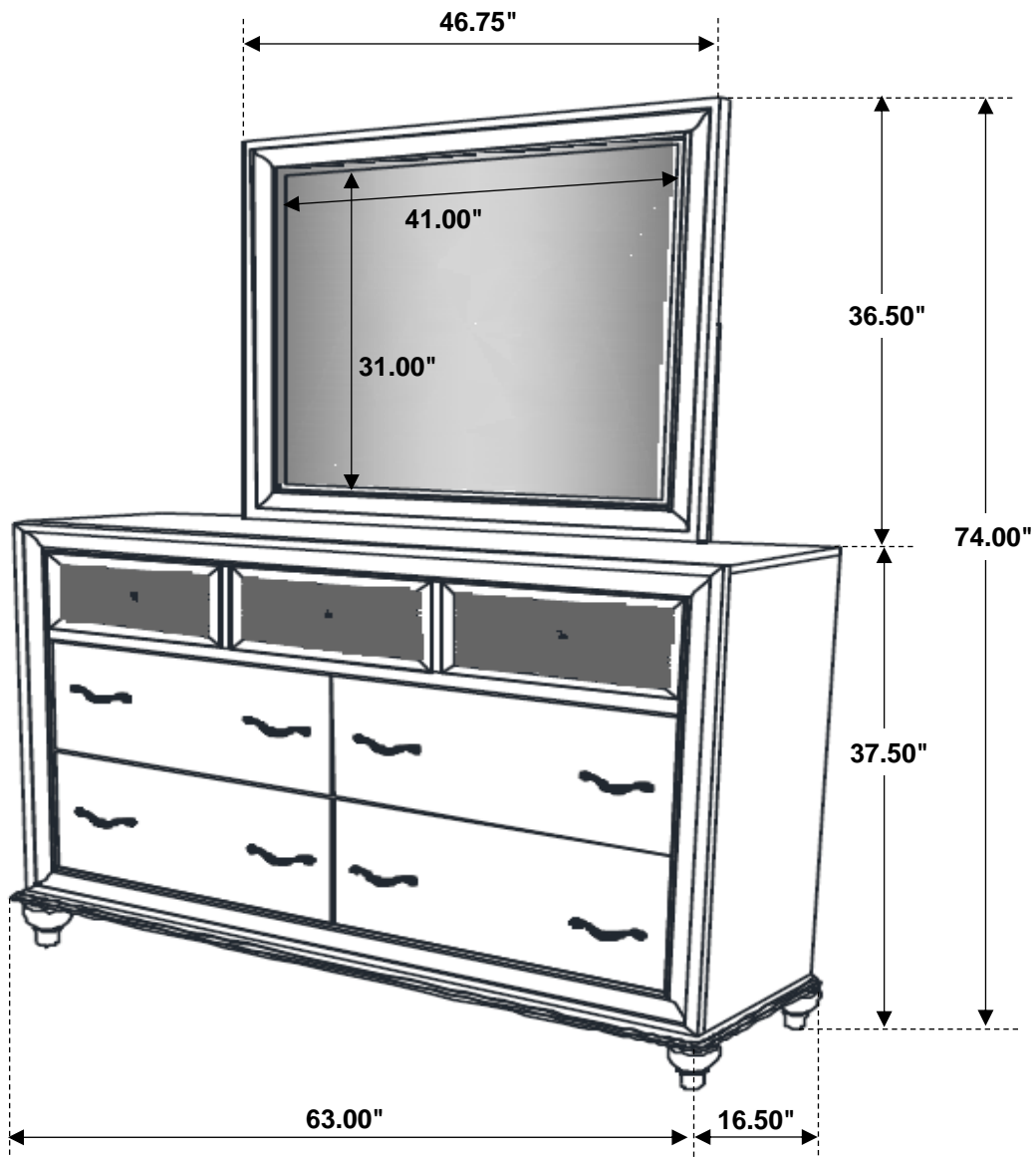


### STEP 4 COMPLETE



ITEM: 200894

**COASTER**  
FINE FURNITURE



Note: Dimension tolerance  $\pm 5\%$