



ASSEMBLY INSTRUCTIONS COASTER FINE FURNITURE



Fine Furniture for every stage of life

200891KW (B1 & B2) **California King Bed**

REVISION 0 : 04/13/2016
REVISION 1 : 08/15/2019

PAGE 1 OF 4

COASTERFURNITURE.COM

ITEM: 200891KW (B1&B2)



ASSEMBLY INSTRUCTIONS

ASSEMBLY TIPS:

1. Remove hardware from box and sort by size.
2. Please check to see that all hardware and parts are present prior to start of assembly.
3. Please follow attached instructions in the same sequence as numbered to assure fast & easy assembly.



WARNING!

1. Don't attempt to repair or modify parts that are broken or defective. Please contact the store immediately.
2. This product is for home use only and not intended for commercial establishments.

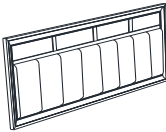
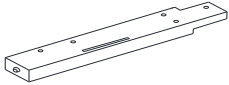
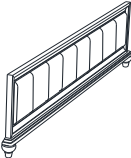
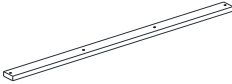
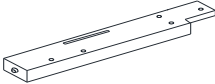



ASSEMBLY TIME

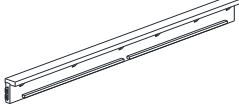
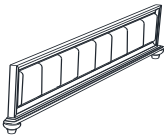
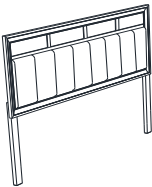
14 MINUTES

PARTS IDENTIFICATION

B1 (BOX 1)

<p>A HEADBOARD PANEL</p>  <p>1PC</p>	<p>D LEFT HEADBOARD LEG</p>  <p>1PC</p>
<p>B FOOTBOARD</p>  <p>1PC</p>	<p>E BED SLAT</p>  <p>4PCS</p>
<p>C RIGHT HEADBOARD LEG</p>  <p>1PC</p>	<p>F BED SLAT SUPPORT WITH LEVELER</p>  <p>8PCS</p>

B2 (BOX 2)

<p>G BED RAIL</p>  <p>2PCS</p>	<p>B 200891KW(B1) FROM BOX 1 FOOTBOARD</p>  <p>1PC</p>
<p>HB 200891KW(B1) FROM BOX 1 HEADBOARD COMPLETE</p>  <p>1PC</p>	

ITEM:200891KW (B1&B2)



ASSEMBLY INSTRUCTIONS

ASSEMBLY TIPS:

1. Remove hardware from box and sort by size.
2. Please check to see that all hardware and parts are present prior to start of assembly.
3. Please follow attached instructions in the same sequence as numbered to assure fast & easy assembly.








WARNING!

1. Don't attempt to repair or modify parts that are broken or defective. Please contact the store immediately.
2. This product is for home use only and not intended for commercial establishments.

HARDWARE IDENTIFICATION

Z-B1 (BOX 1) - HARDWARE PACK IS LOCATED IN 200891KW (B1)

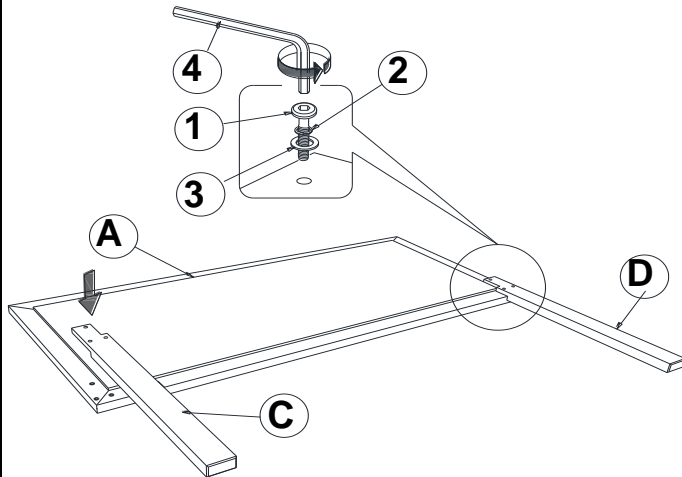
1	BOLT (M6 x 30mm - BLK)		6PCS
2	LOCK WASHER (1/4" - BLK)		6PCS
3	FLAT WASHER (1/4"ID x 13mm - BLK)		6PCS
4	ALLEN WRENCH (M4 x 60mm - BLK)		1PC
5	FLAT HEAD SCREW (M4 x 32mm - RBW)		8PCS

NOTE:

Phillips head screw driver is required in the assembly process; however, manufacturer does not provide this item.

ASSEMBLY INSTRUCTIONS

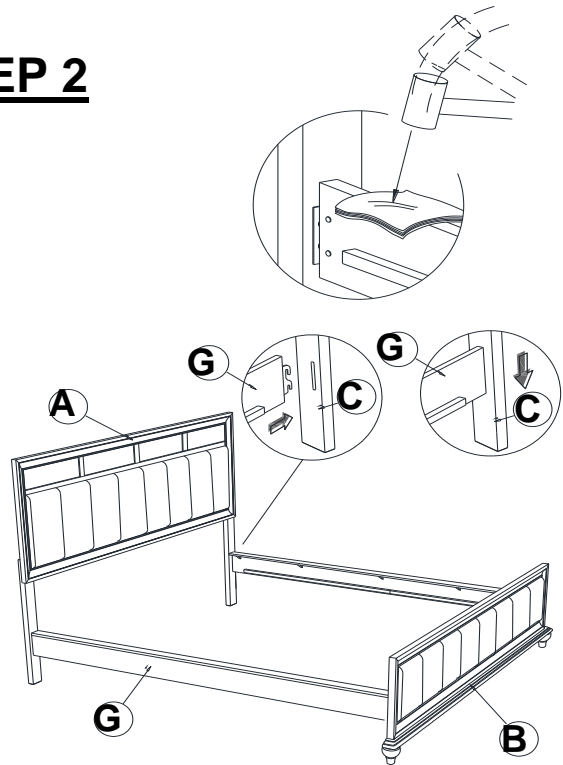
STEP 1



****BACK VIEW****

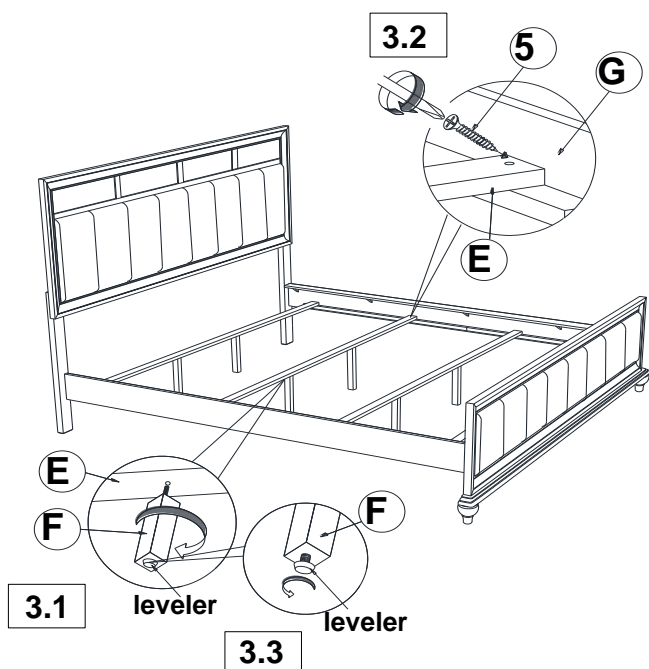
Note : Please take note of the marking sticker (L&R) on the leg.

STEP 2

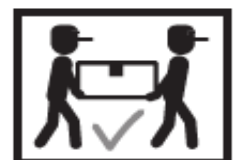
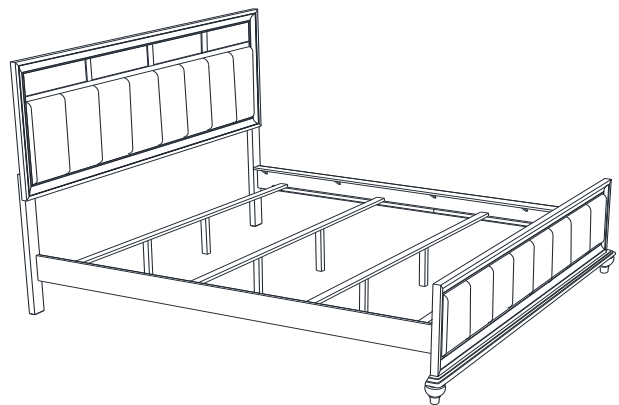


Note : Make sure the protective cloth is sufficient enough to protect bed rail(G) before hammering.

STEP 3



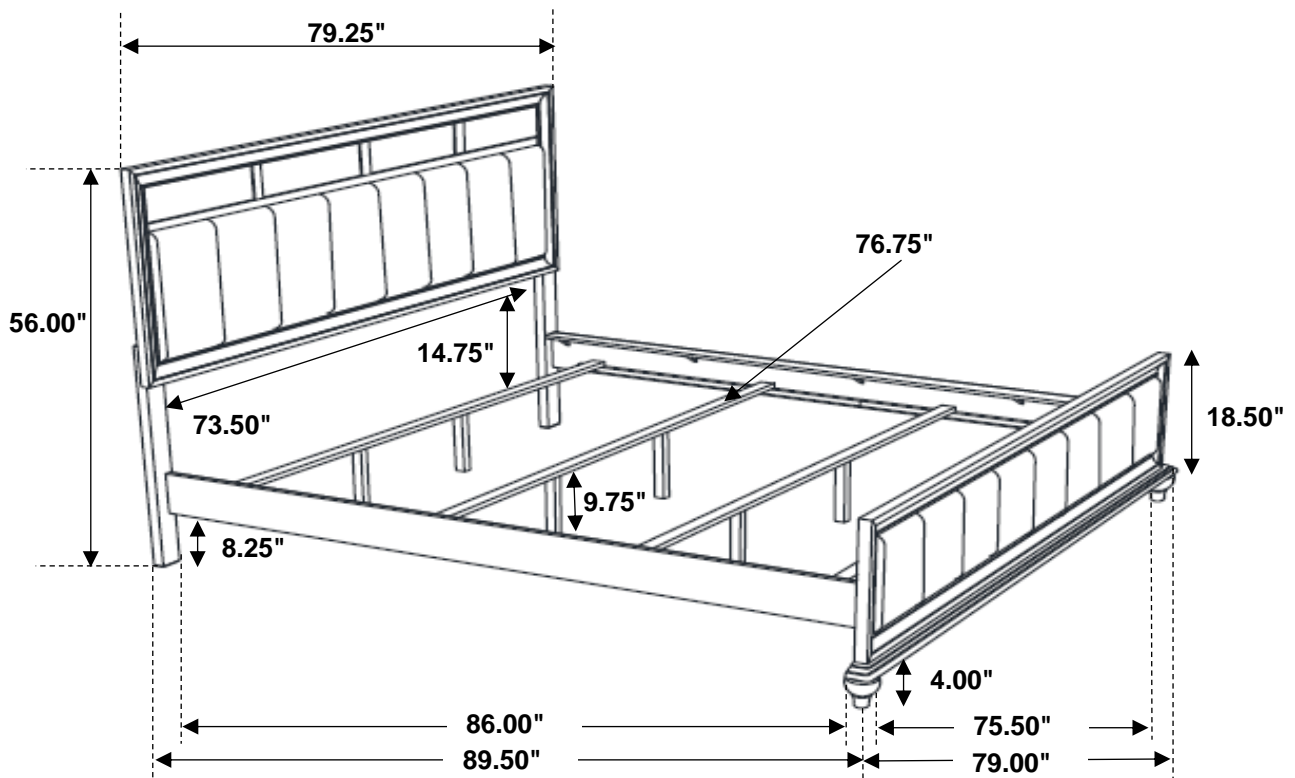
**STEP 4
COMPLETE**



ITEM: 200891KW (B1&B2)



Inner Size: 73.25"W X 86.00"D



Note: Dimension tolerance $\pm 5\%$