

ASSEMBLY INSTRUCTIONS
COASTER FINE FURNITURE



Fine Furniture for every stage of life

200891KE (B1 & B2)
Eastern King Bed

ITEM: 200891KE (B1&B2)



ASSEMBLY INSTRUCTIONS

ASSEMBLY TIPS:

1. Remove hardware from box and sort by size.
2. Please check to see that all hardware and parts are present prior to start of assembly.
3. Please follow attached instructions in the same sequence as numbered to assure fast & easy assembly.



WARNING!

1. Don't attempt to repair or modify parts that are broken or defective. Please contact the store immediately.
2. This product is for home use only and not intended for commercial establishments.



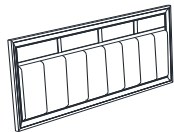
ASSEMBLY TIME

14 MINUTES

PARTS IDENTIFICATION

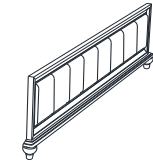
B1 (BOX 1)

A HEADBOARD PANEL



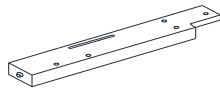
1PC

B FOOTBOARD



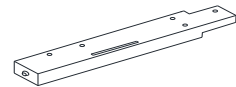
1PC

C RIGHT HEADBOARD LEG



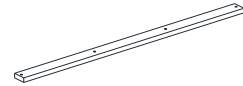
1PC

D LEFT HEADBOARD LEG



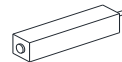
1PC

E BED SLAT



4PCS

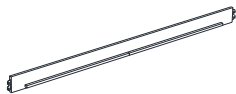
F BED SLAT SUPPORT WITH LEVELER



8PCS

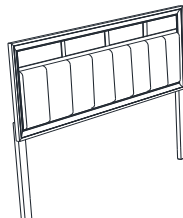
B2 (BOX 2)

G BED RAIL



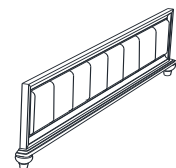
2PCS

HB 200891KE(B1) FROM BOX 1 HEADBOARD COMPLETE



1PC

B 200891KE(B1) FROM BOX 1 FOOTBOARD



1PC

ITEM: 200891KE (B1&B2)



ASSEMBLY INSTRUCTIONS

ASSEMBLY TIPS:

1. Remove hardware from box and sort by size.
2. Please check to see that all hardware and parts are present prior to start of assembly.
3. Please follow attached instructions in the same sequence as numbered to assure fast & easy assembly.








WARNING!

1. Don't attempt to repair or modify parts that are broken or defective. Please contact the store immediately.
2. This product is for home use only and not intended for commercial establishments.

HARDWARE IDENTIFICATION

Z-B1 (BOX 1) - HARDWARE PACK IS LOCATED IN 200891KE (B1)

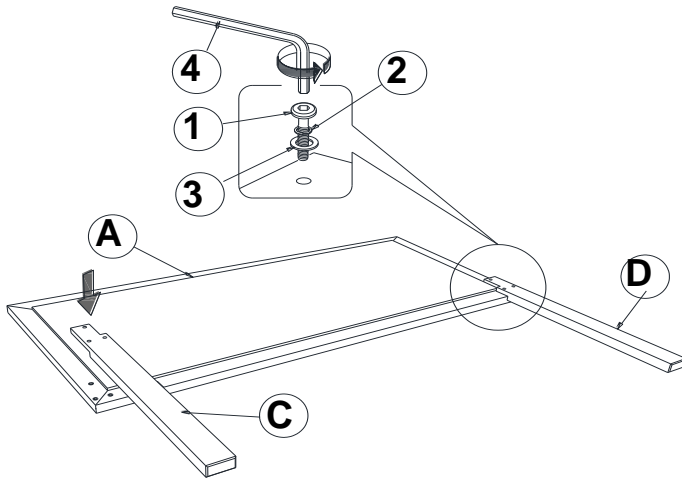
| | | | |
|---|--|---|------|
| 1 | BOLT (M6 x 30mm - BLK) |  | 6PCS |
| 2 | LOCK WASHER (1/4" - BLK) |  | 6PCS |
| 3 | FLAT WASHER (1/4" ID x 13mm - BLK) |  | 6PCS |
| 4 | ALLEN WRENCH (M4 x 60mm - BLK) |  | 1PC |
| 5 | FLAT HEAD SCREW (M4 x 32mm - RBW) |  | 8PCS |

NOTE:

Phillips head screw driver is required in the assembly process; however, manufacturer does not provide this item.

ASSEMBLY INSTRUCTIONS

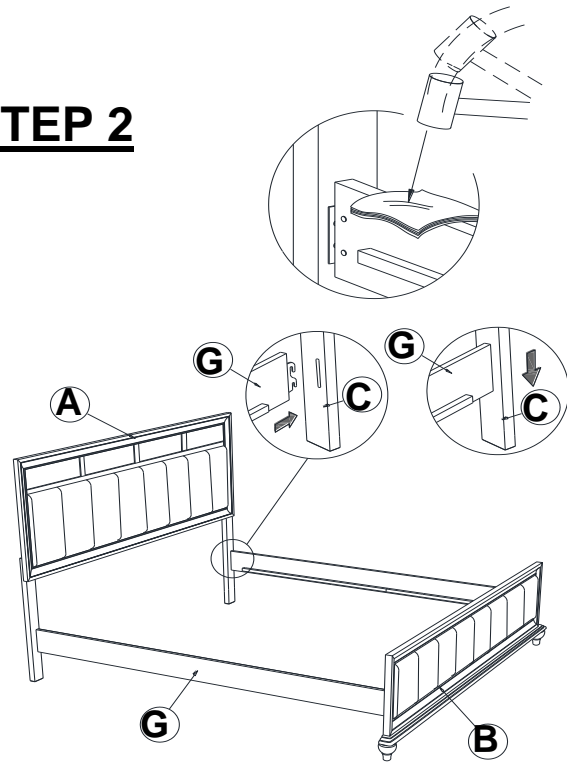
STEP 1



****BACK VIEW****

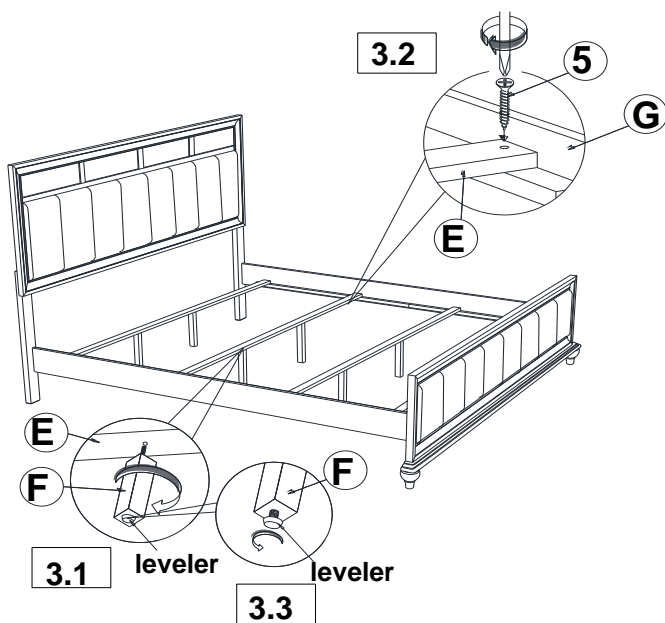
Note : Please take note of the marking sticker (L&R) on the leg.

STEP 2

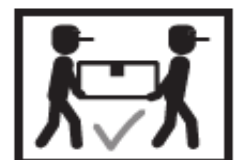
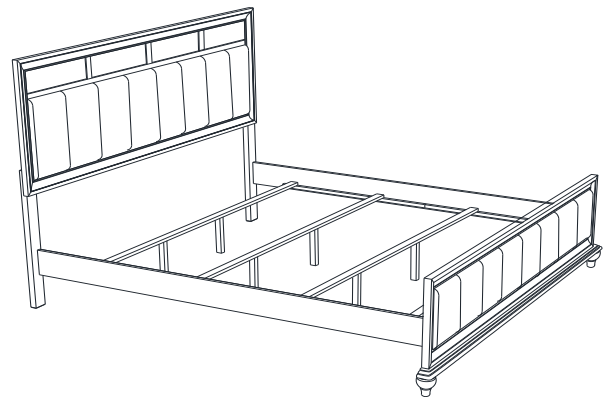


Note : Make sure the protective cloth is sufficient enough to protect bed rail(G) before hammering.

STEP 3



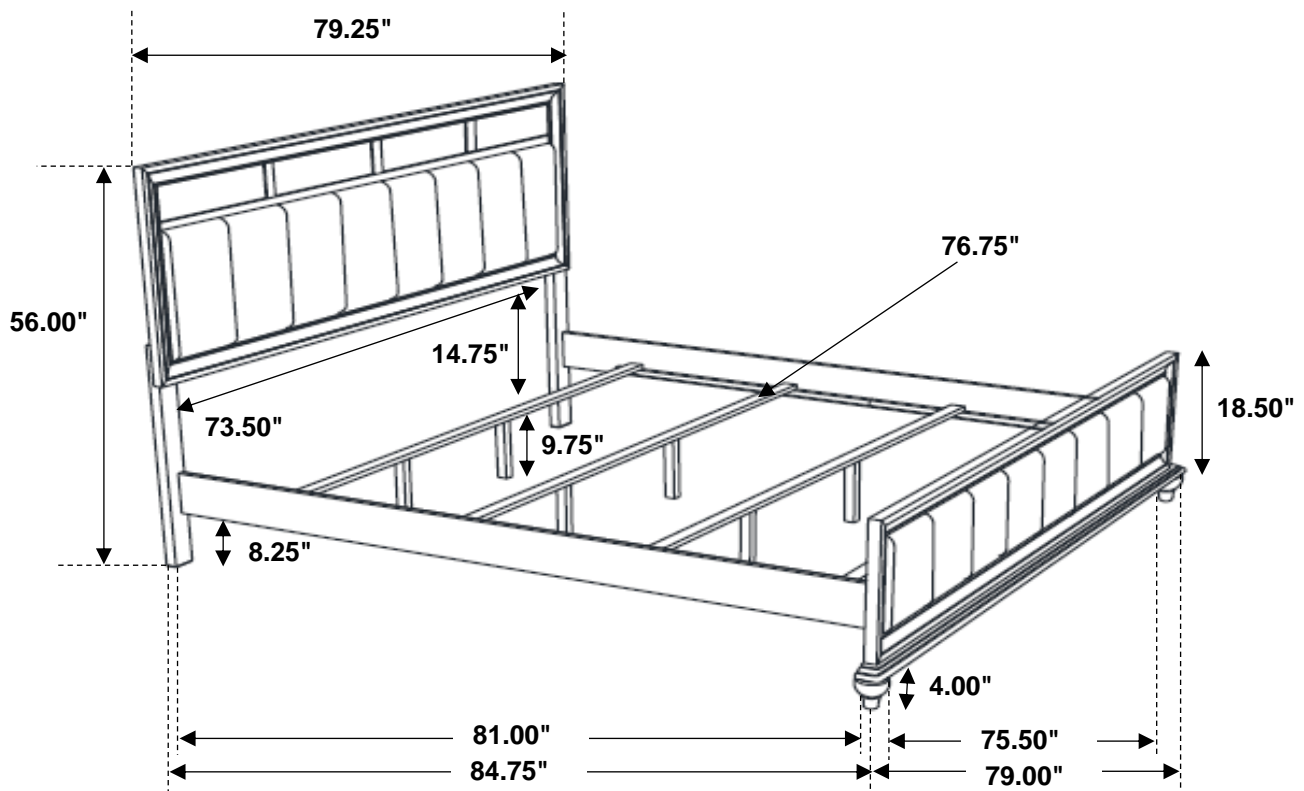
**STEP 4
COMPLETE**



ITEM: 200891KE (B1&B2)



Inner Size: 76.75"W X 81.00"D



Note: Dimension tolerance $\pm 5\%$