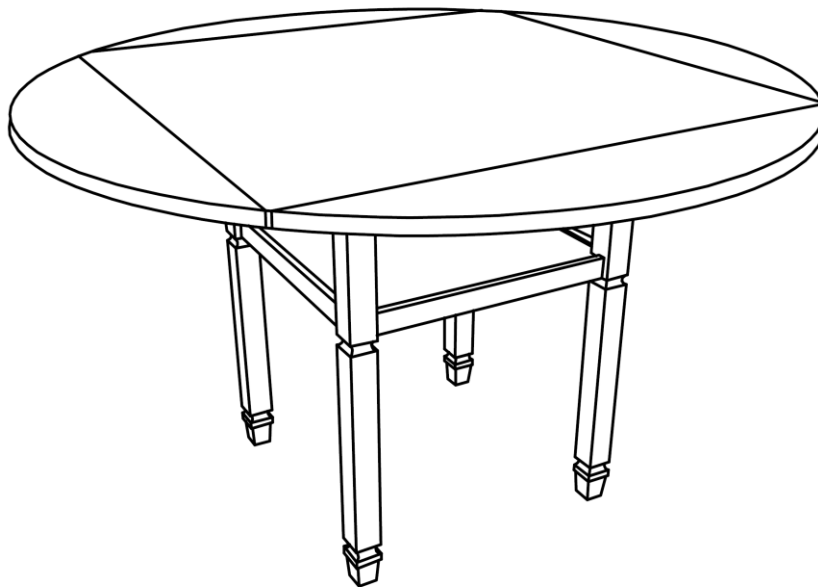


**ASSEMBLY INSTRUCTIONS**  
**COASTER FINE FURNITURE**



*Fine Furniture for every stage of life*

**192818**  
**Counter Height Table**

## ASSEMBLY INSTRUCTIONS

### ASSEMBLY TIPS:

1. Remove hardware from box and sort by size.
2. Please check to see that all hardware and parts are present prior to start of assembly.
3. Please follow attached instructions in the same sequence as numbered to assure fast & easy assembly.



### WARNING!

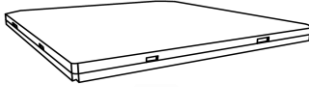

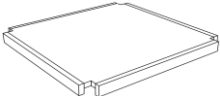
1. Don't attempt to repair or modify parts that are broken or defective. Please contact the store immediately.
2. This product is for home use only and not intended for commercial establishments.








**ASSEMBLY TIME**

**15 MINUTES**

## PARTS IDENTIFICATION

A	TOP		1PC
B	LEG		4PCS
C	SHELF		1PC

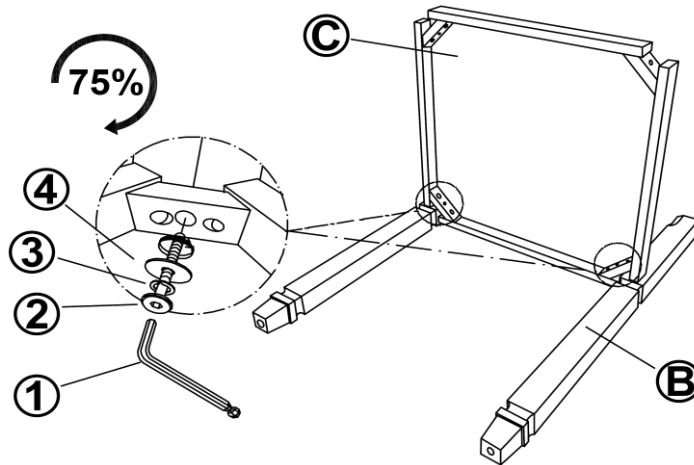
## HARDWARE IDENTIFICATION

1	ALLEN WRENCH (M4 - BLK)		1PC
2	BOLT (M6 x 60mm - RBW)		12PCS
3	LOCK WASHER (M6 - RBW)		12PCS
4	FLAT WASHER (M6 - RBW)		12PCS
5	LEVELER (M6 x 23MM - BLK)		4PCS

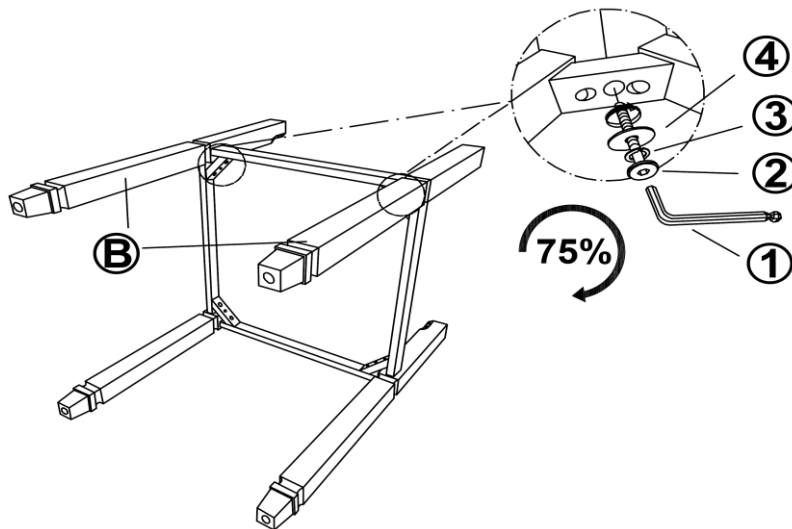
ITEM: 192818



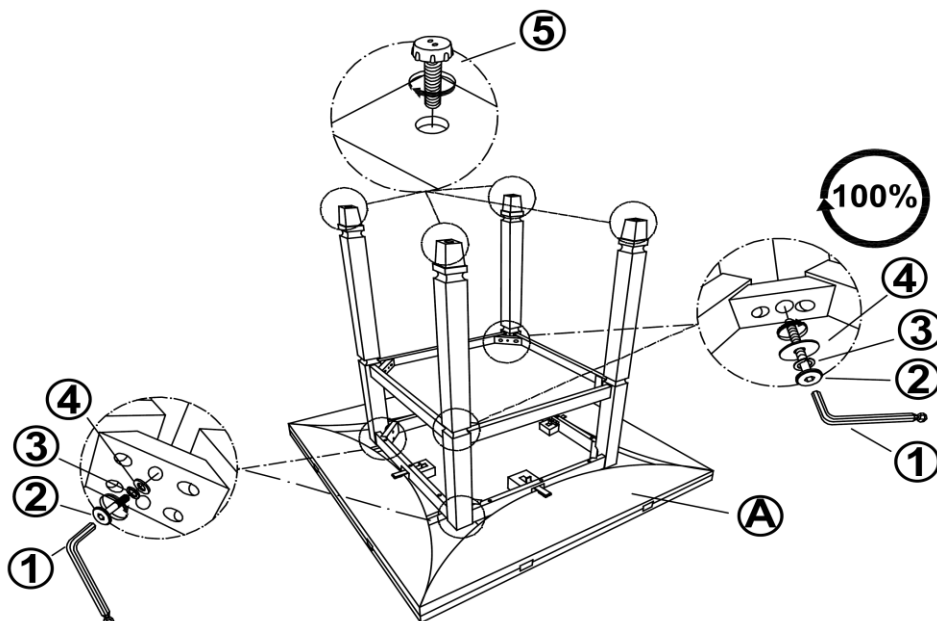
**ASSEMBLY INSTRUCTIONS**  
**STEP 1**



**STEP 2**



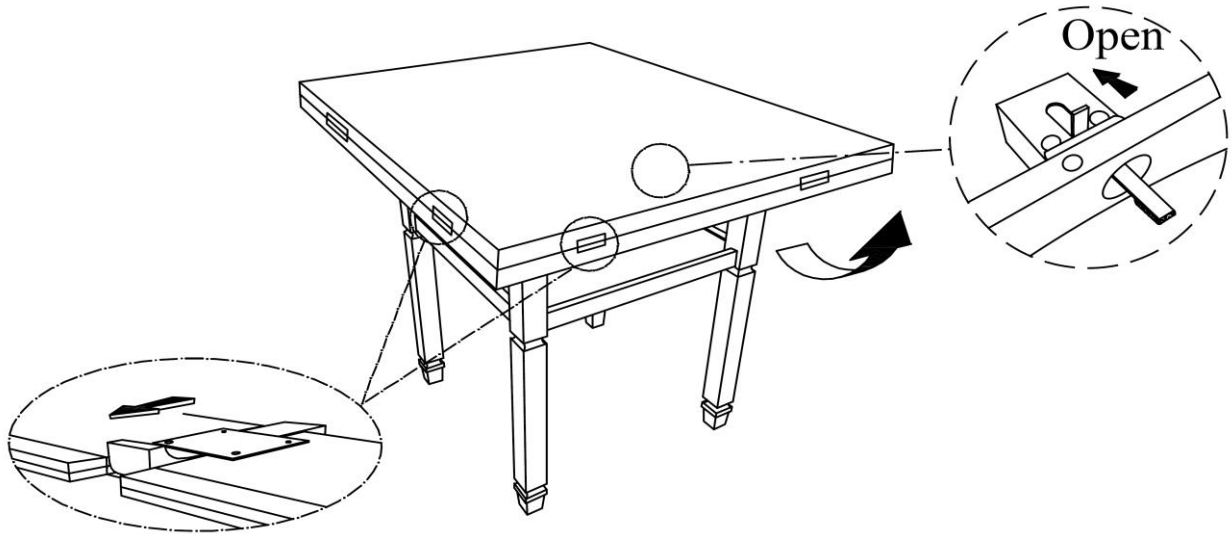
**STEP 3**



ITEM: **192818**



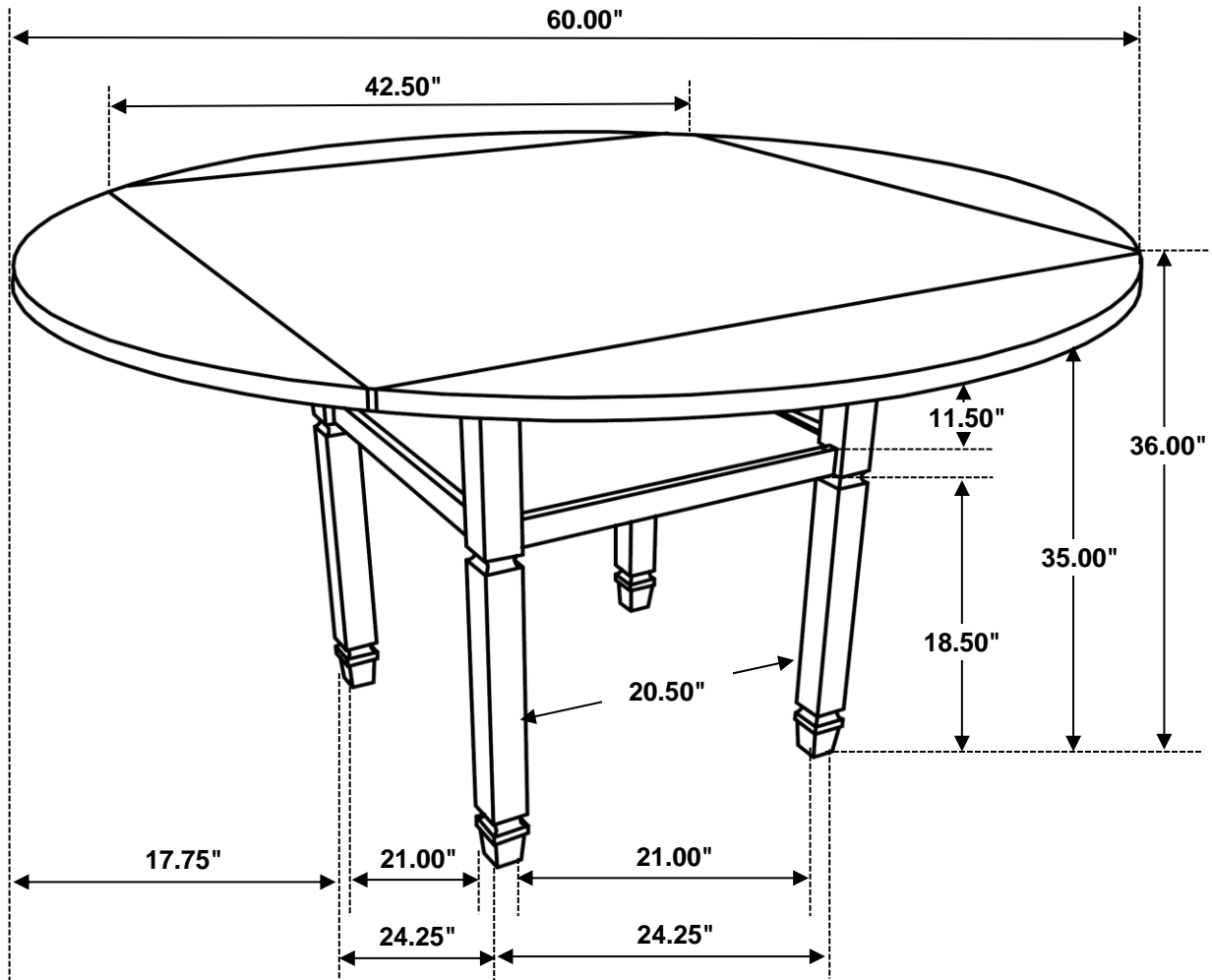
**ASSEMBLY INSTRUCTIONS**  
**STEP 4**



**STEP 5**  
**COMPLETE**



ITEM: 192818



Note: Dimension tolerance  $\pm 5\%$