

ASSEMBLY INSTRUCTIONS
COASTER FINE FURNITURE



Fine Furniture for every stage of life

182715
5 PC COUNTER HT DINING SET

REVISION 0 : 12/12/2023

ITEM:182715



ASSEMBLY INSTRUCTIONS

ASSEMBLY TIPS:

1. Remove hardware from box and sort by size.
2. Please check to see that all hardware and parts are present prior to start of assembly.
3. Please follow attached instructions in the same sequence as numbered to assure fast & easy assembly.



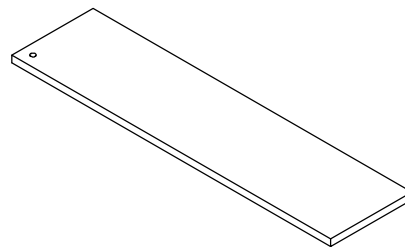
WARNING!

1. Don't attempt to repair or modify parts that are broken or defective. Please contact the store immediately.
2. This product is for home use only and not intended for commercial establishments.

ASSEMBLY TIME 95 MINUTES

PARTS IDENTIFICATION

A LARGE TOP PANEL



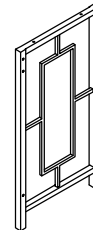
1PC

B LARGE LEFT FRAME



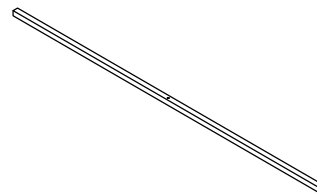
1PC

C LARGE RIGHT FRAME



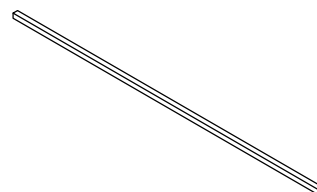
1PC

D LARGE TOP CROSSBAR



1PC

E LARGE BOTTOM CROSSBAR



1PC

ITEM:182715

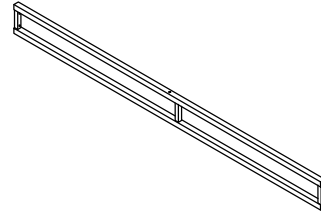
ASSEMBLY INSTRUCTIONS

PARTS IDENTIFICATION



F

LARGE BACK FRAME



1PC

G

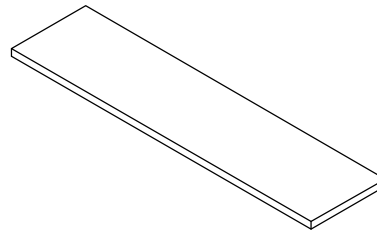
SHORT CROSSBAR



1PC

H

SMALL TOP PANEL



1PC

I

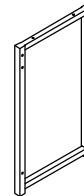
SMALL LEFT FRAME



1PC

J

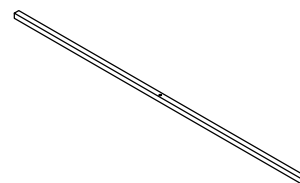
SMALL RIGHT FRAME



1PC

K

SMALL TOP CROSSBAR



1PC

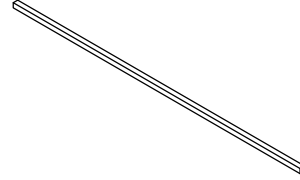
ITEM:182715

ASSEMBLY INSTRUCTIONS

PARTS IDENTIFICATION

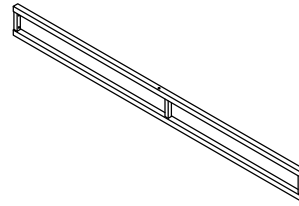


L SMALL BOTTOM CROSSBAR



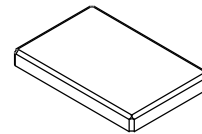
1PC

M SMALL BACK FRAME



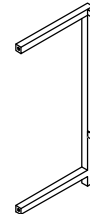
1PC

N CUSHION SEAT



1PC

O STOOL LEFT FRAME



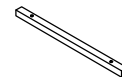
1PC

P STOOL RIGHT FRAME



1PC

Q STOOL TOP CROSSBAR



1PC

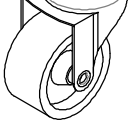
ITEM:182715 ASSEMBLY INSTRUCTIONS



R STOOL BOTTOM CROSSBAR  1PC

S STOOL FRONT FRAME  1PC

T USB  1PC

U WHEEL  4PCS










ITEM:182715



ASSEMBLY INSTRUCTIONS

Z

HARDWARE IDENTIFICATION

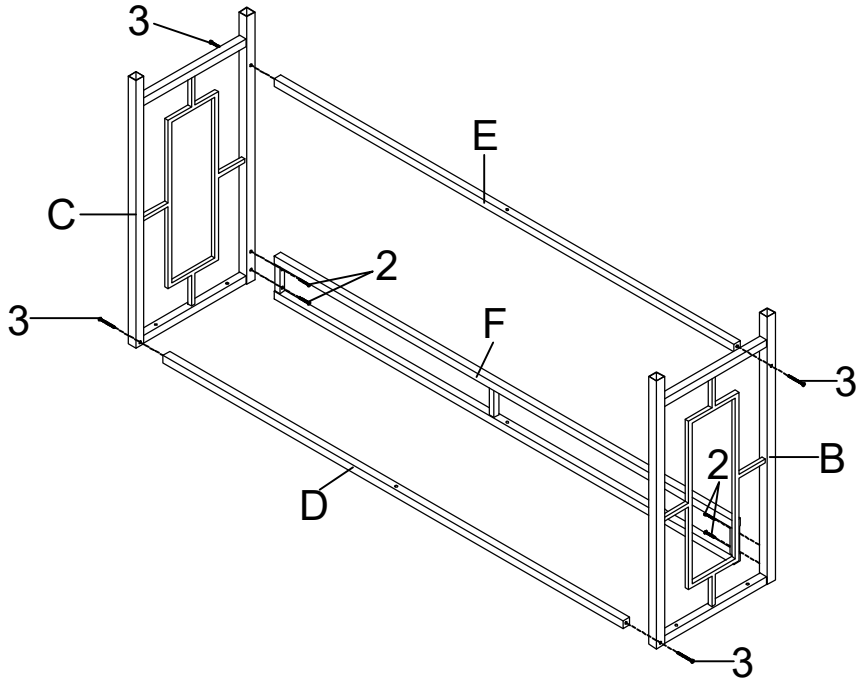
1	SHORT BOLT (1/4" x 12mm SR)		4PCS	6	LARGE CAP (30 x 30mm BLK)		8PCS
2	MEDIUM BOLT (1/4" x 35mm SR)		28PCS	7	LEVELER (1/4" x 12mm BLK)		1PC
3	LONG BOLT (1/4" x 56mm SR)		8PCS	8	COVER		12PCS
4	HANGER BOLT (1/4" x 50mm)		1PC	9	ALLEN WRENCH (4mm)		1PC
5	SMALL CAP (20 x 20mm BLK)		4PCS				

NOTE:QUANTITIES SHOWN ARE FOR ONE LARGE TABLE, ONE SMALL TABLE AND ONE STOOL

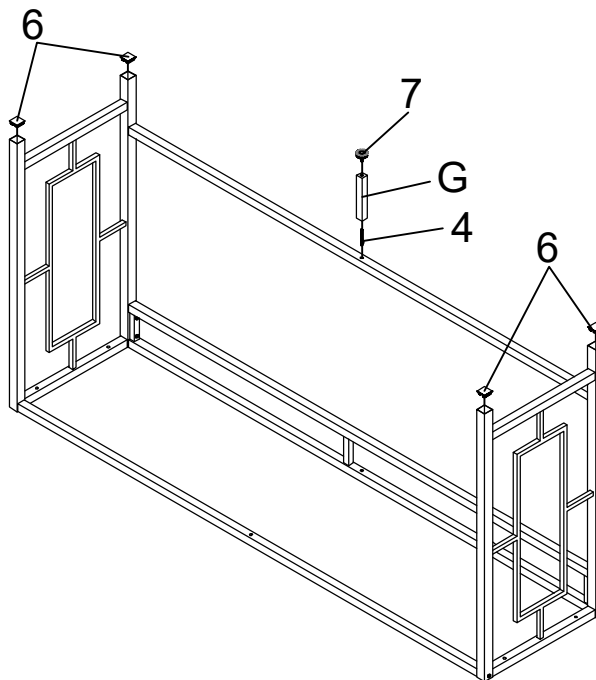
ITEM:182715 ASSEMBLY INSTRUCTIONS



STEP 1 Do not tighten until each step is completed or instructed.



STEP 2



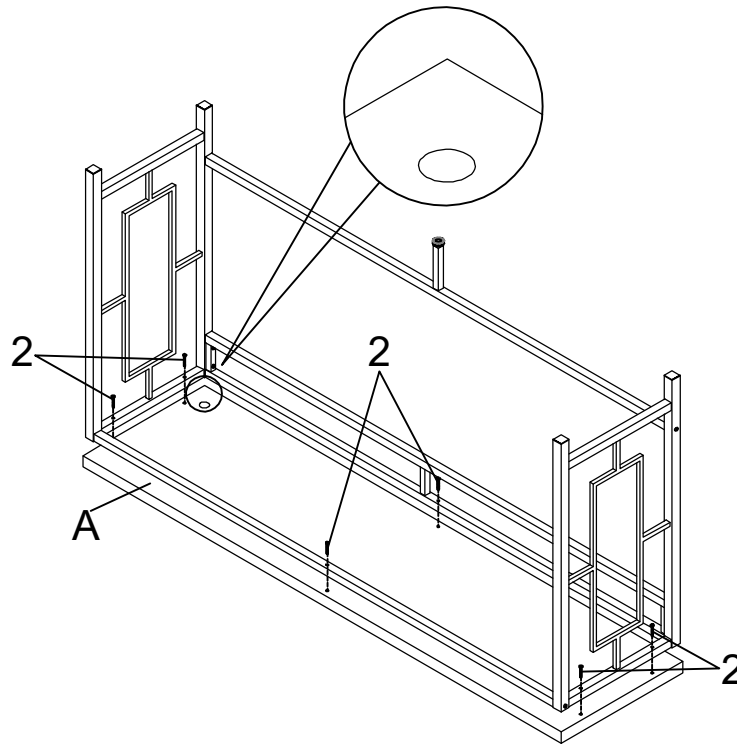
ITEM:182715



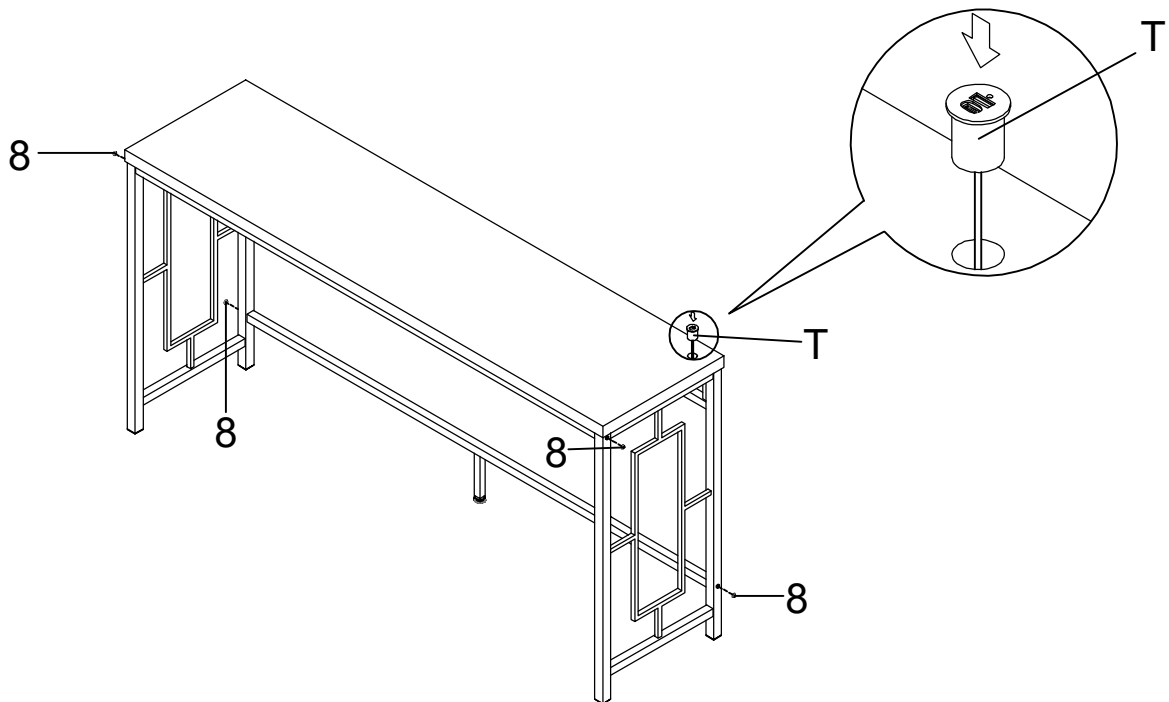
ASSEMBLY INSTRUCTIONS

STEP 3

Pay attention to this position



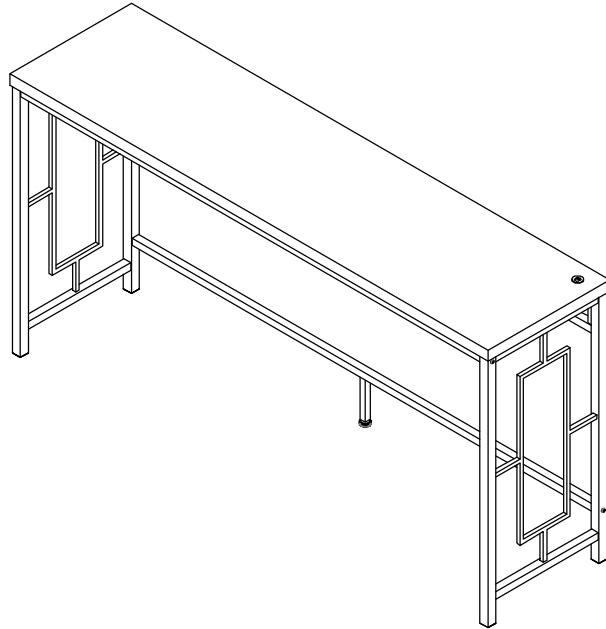
STEP 4



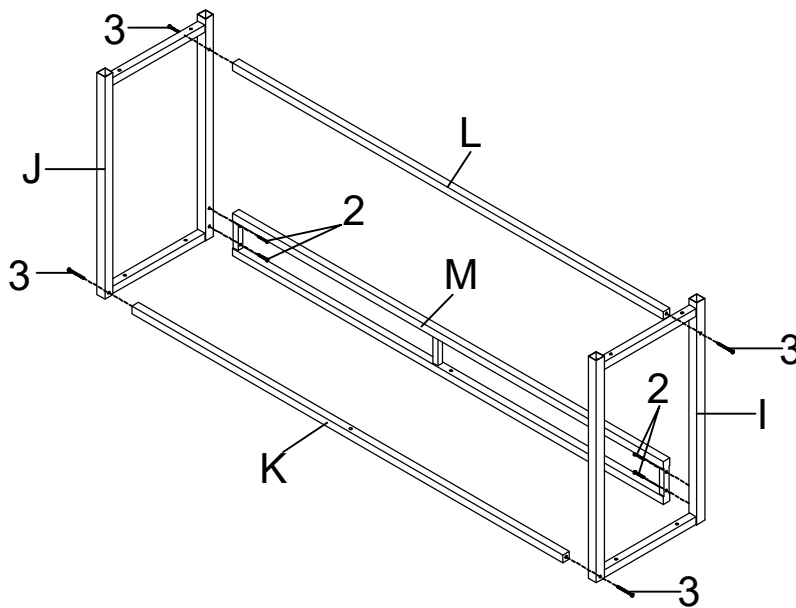
ITEM:182715

ASSEMBLY INSTRUCTIONS

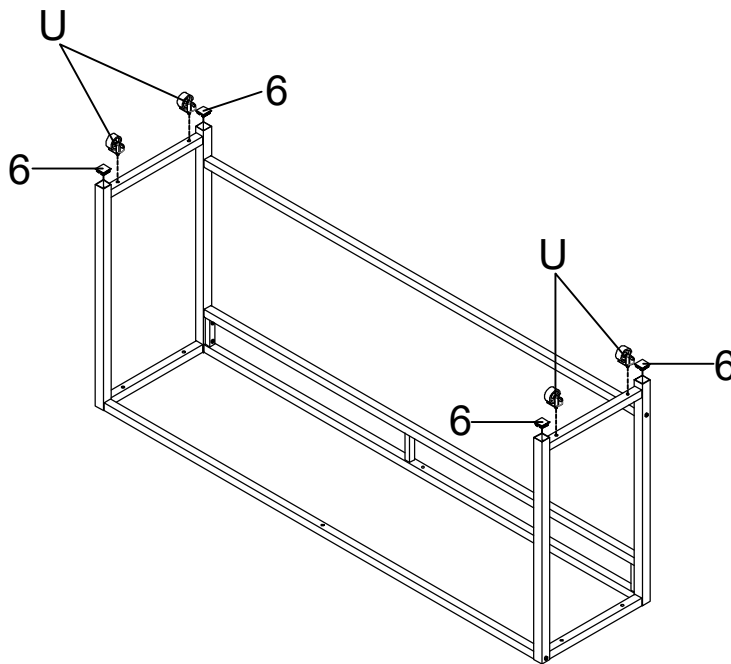
STEP 5



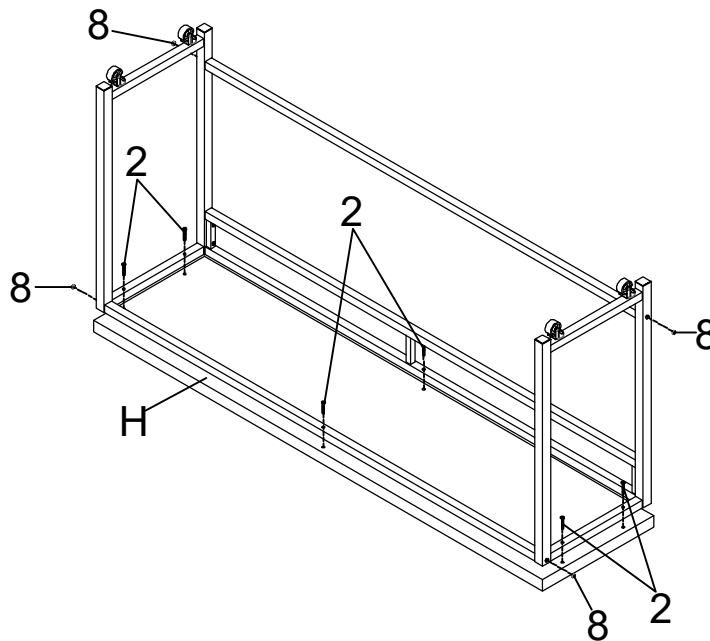
STEP 6



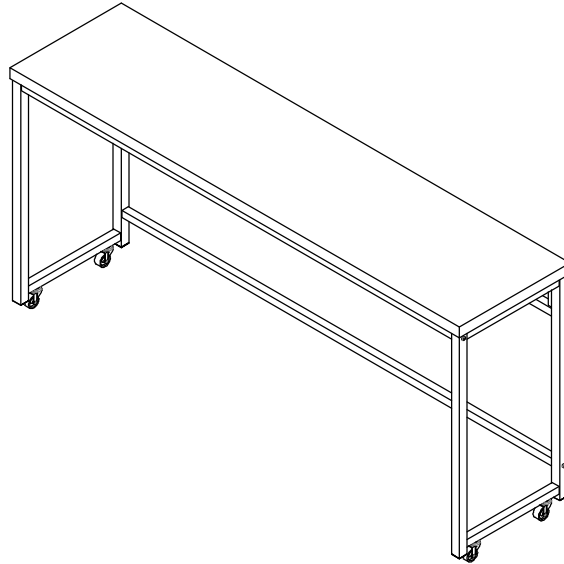
ITEM:182715
ASSEMBLY INSTRUCTIONS
STEP 7



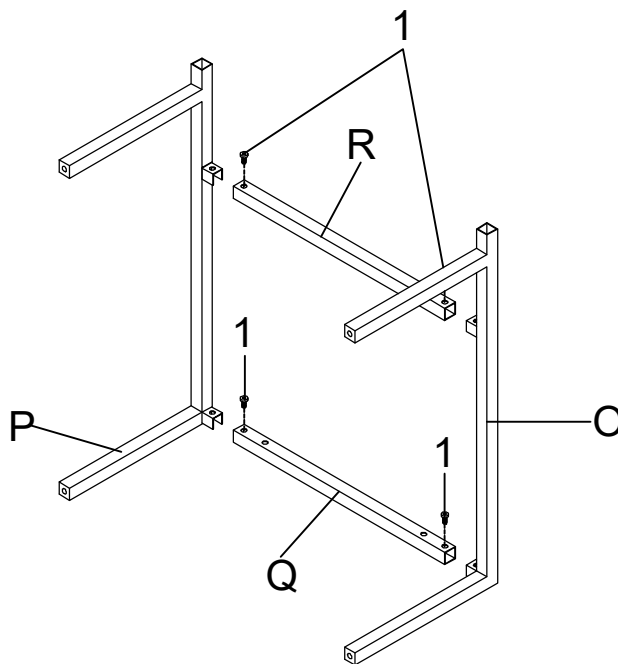
STEP 8



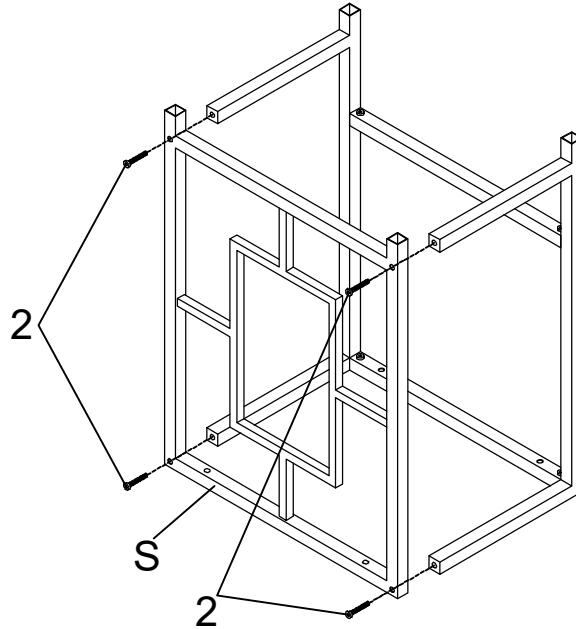
ITEM:182715
ASSEMBLY INSTRUCTIONS
STEP 9



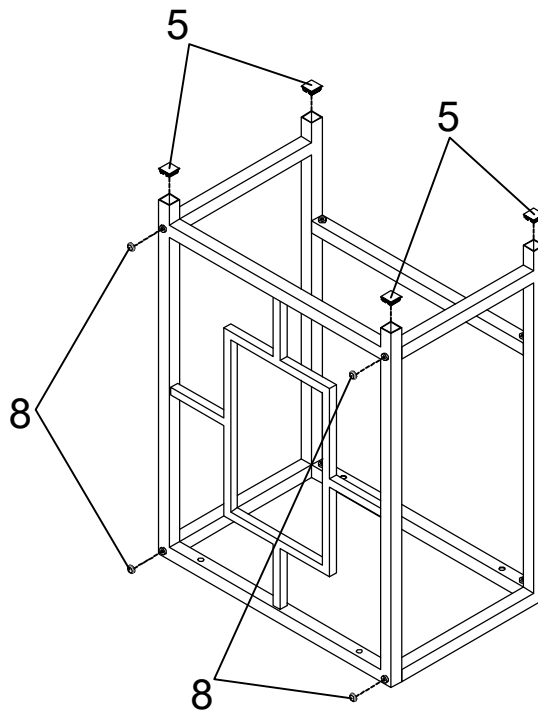
STEP 10



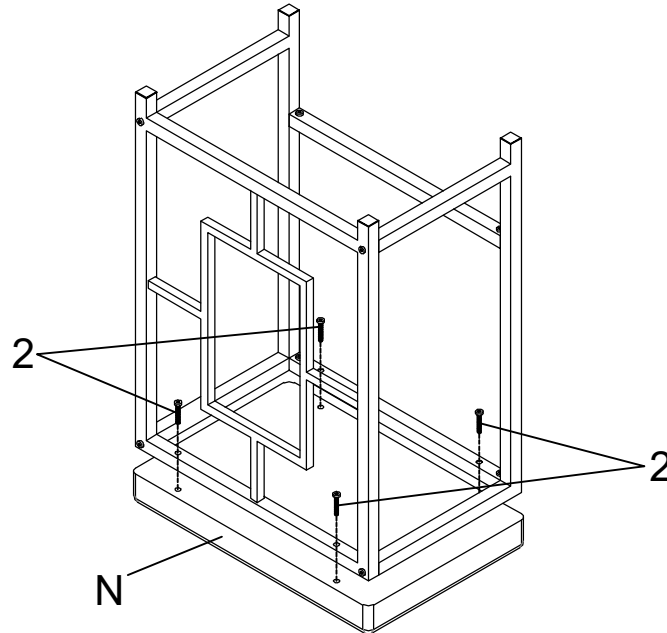
ITEM:182715
ASSEMBLY INSTRUCTIONS
STEP 11



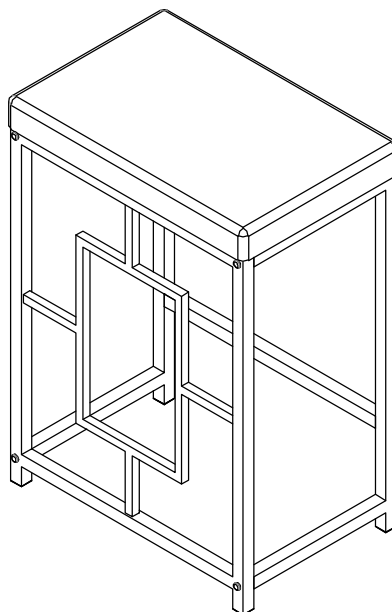
STEP 12



ITEM:182715
ASSEMBLY INSTRUCTIONS
STEP 13



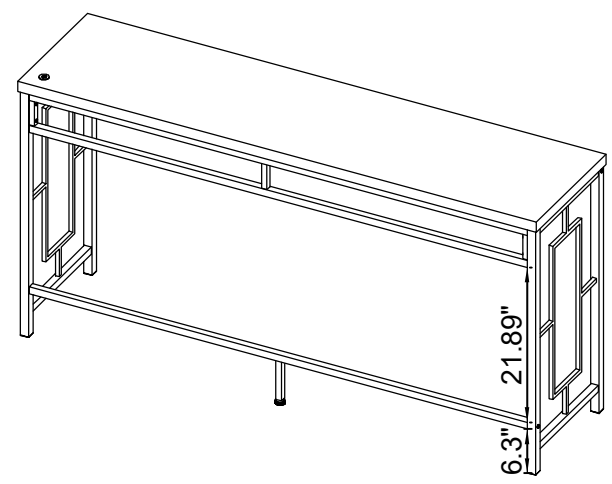
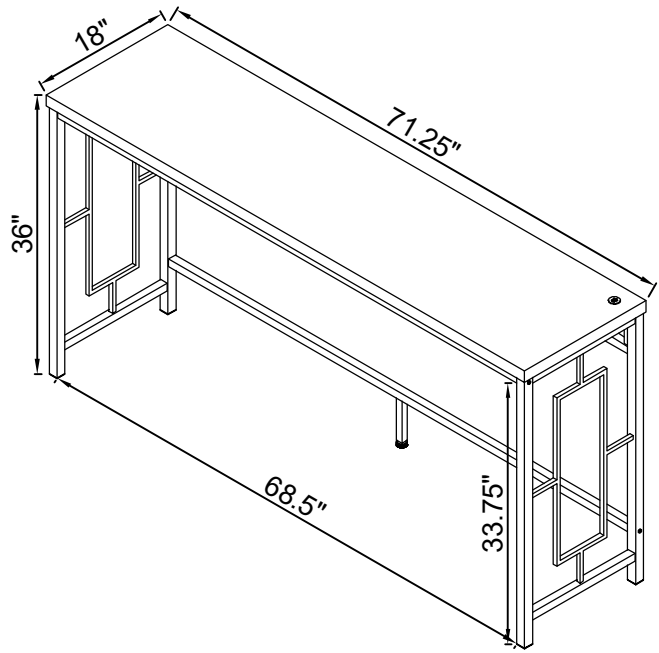
STEP 14



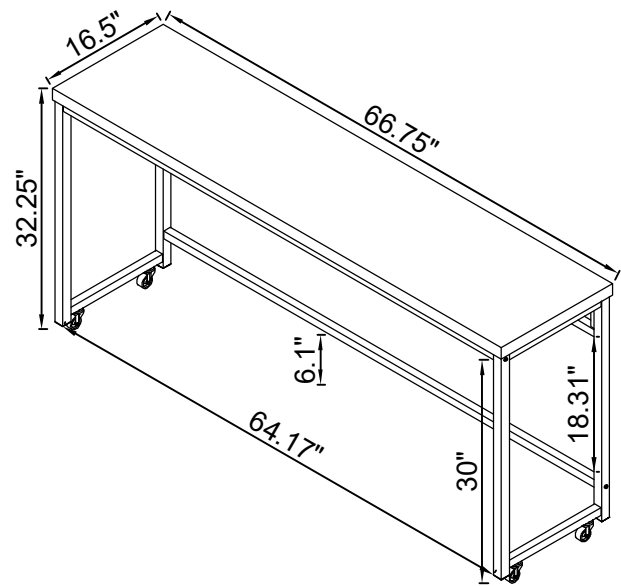
ITEM:182715 ASSEMBLY INSTRUCTIONS



Product Size : 1810 X 457 X 914 H (MM)
Product Size : 71.25" X 18" X 36"



Product Size : 1700 X 419 X 819 H (MM)
Product Size : 66.75" X 16.5" X 32.25"



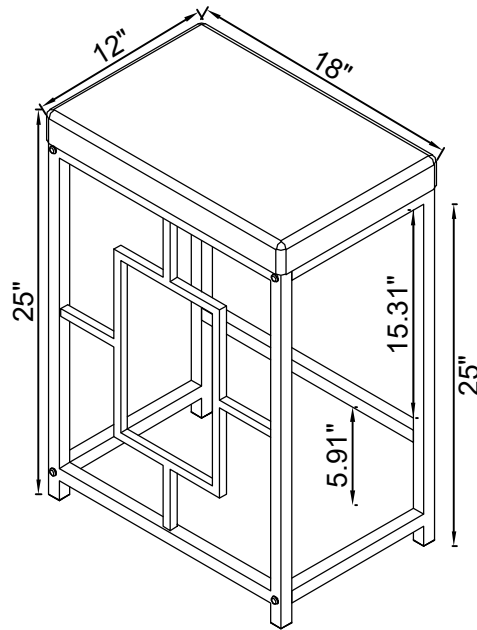
Note : Dimension tolerance $\pm 5\%$

ITEM:182715 ASSEMBLY INSTRUCTIONS



Product Size : 457 X 305 X 635 H (MM)

Product Size : 18" X 12" X 25"



Note : Dimension tolerance $\pm 5\%$