

ASSEMBLY INSTRUCTIONS
COASTER FINE FURNITURE



Fine Furniture for every stage of life

122247
Stool

ITEM: 122247

ASSEMBLY INSTRUCTIONS

ASSEMBLY TIPS:

1. Remove hardware from box and sort by size.
2. Please check to see that all hardware and parts are present prior to start of assembly.
3. Please follow attached instructions in the same sequence as numbered to assure fast & easy assembly.



WARNING!


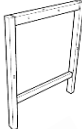
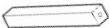

1. Don't attempt to repair or modify parts that are broken or defective. Please contact the store immediately.
2. This product is for home use only and not intended for commercial establishments.



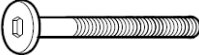





ASSEMBLY TIME

15 MINUTES

PARTS IDENTIFICATION

A	SEAT		1PC
B	LEG FRAME		2PCS
C	APRON		2PCS
D	STRETCHER		2PCS

HARDWARE IDENTIFICATION

1	BOLT (M6 x 60mm - RBW)		8PCS
2	BARREL NUT (M6 x 13mm - RBW)		8PCS
3	WOOD DOWEL (M8 x 30mm)		6PCS
4	FLAT HEAD SCREW (M4 x 38mm - RBW)		4PCS
5	ALLEN WRENCH (M4 x 60mm - BLK)		1PC
6	WOOD PLUG (14.5 x 9mm)		8PCS

NOTE:

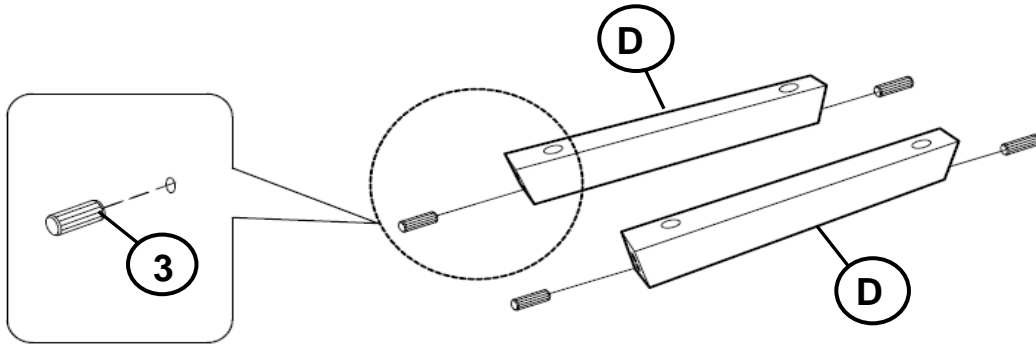
Phillips head screw driver is required in the assembly process; however, manufacturer does not provide this item. Quantities shown are for one stool.

ITEM: **122247**

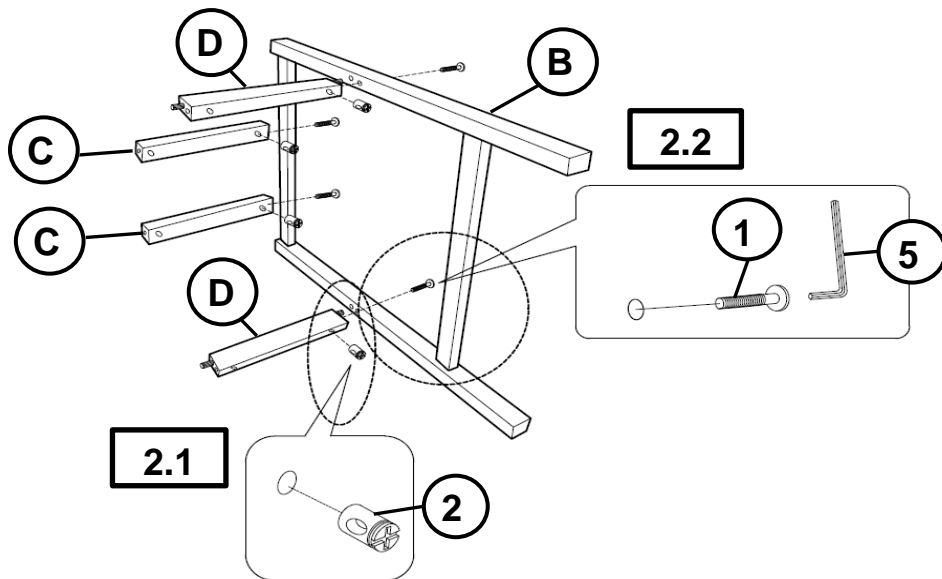
ASSEMBLY INSTRUCTIONS



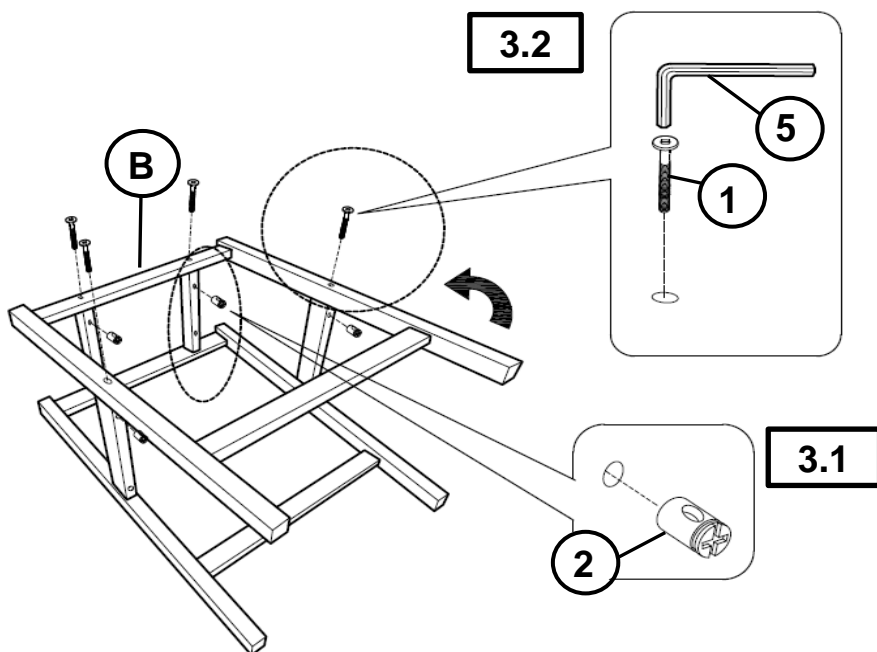
STEP 1



STEP 2



STEP 3

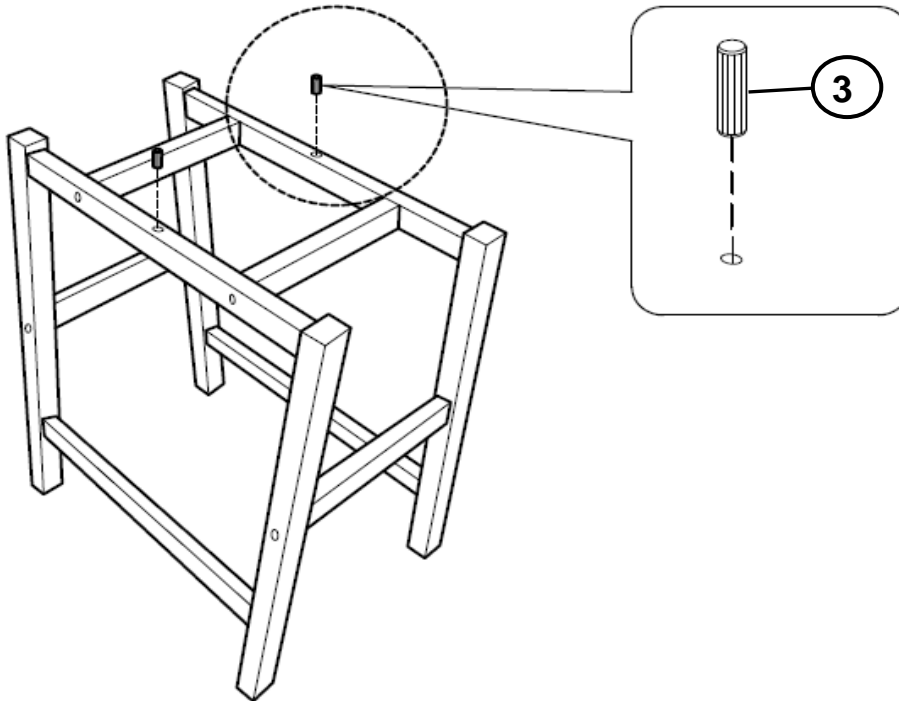


ITEM: **122247**

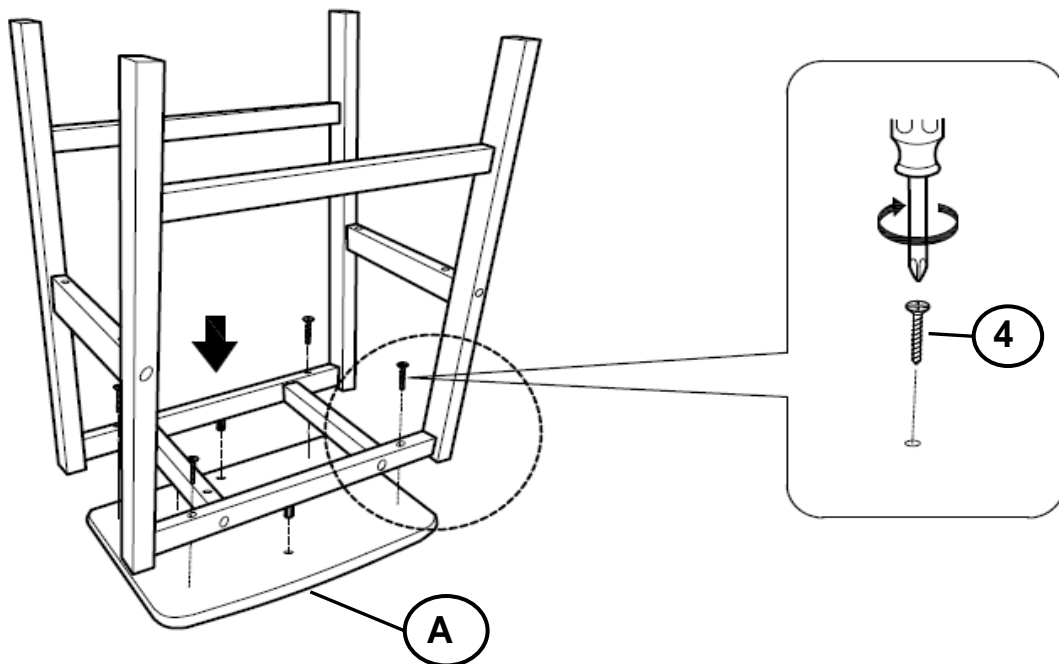
ASSEMBLY INSTRUCTIONS



STEP 4



STEP 5

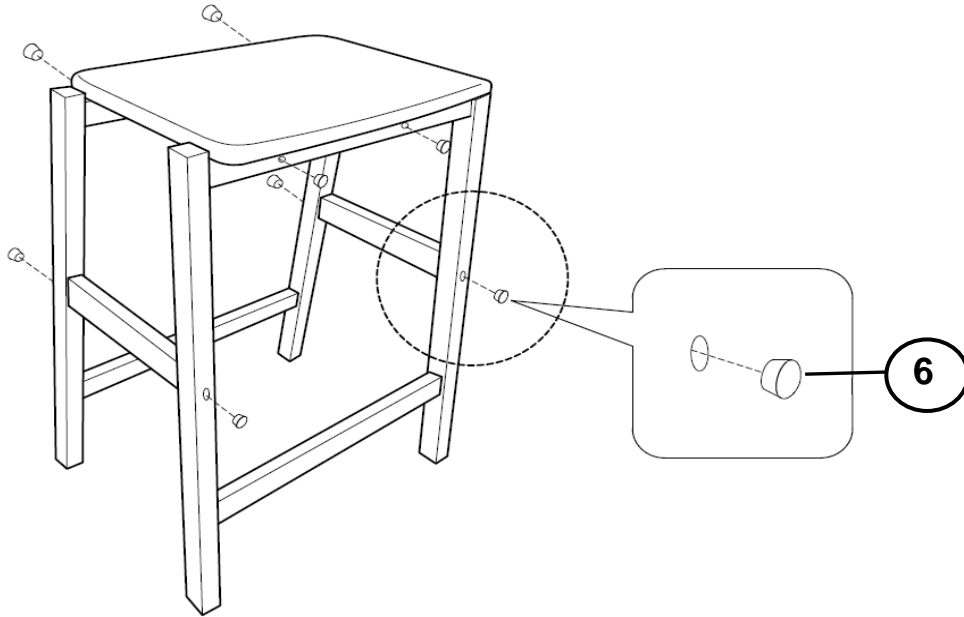


ITEM: **122247**

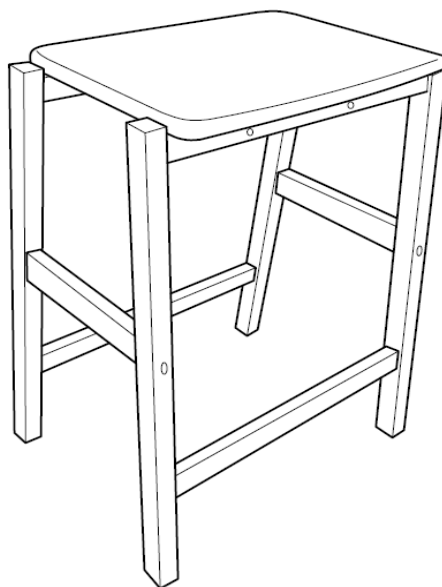
ASSEMBLY INSTRUCTIONS



STEP 6

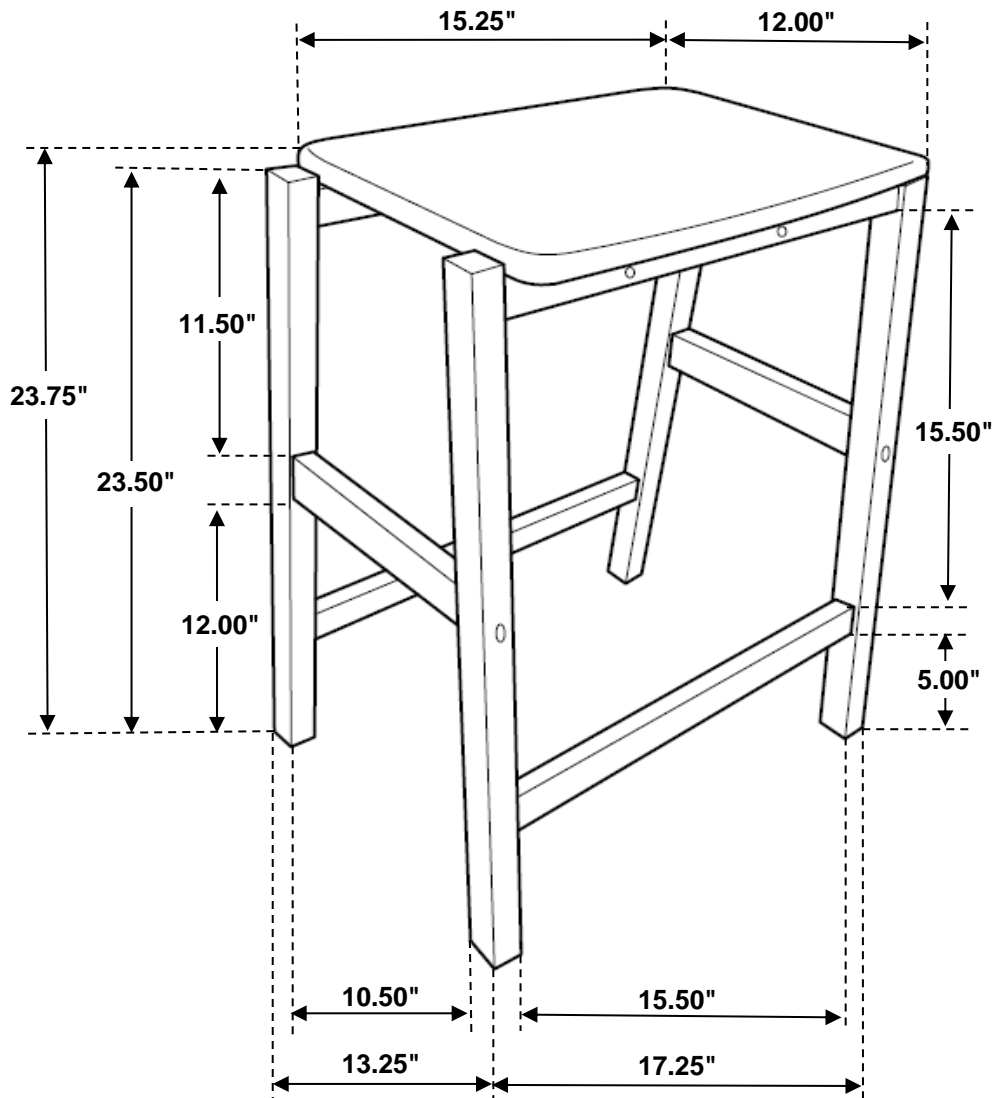


STEP 7
COMPLETE



ITEM: 122247

COASTER
FINE FURNITURE



Note : Dimension tolerance $\pm 5\%$