



ASSEMBLY INSTRUCTIONS
COASTER FINE FURNITURE



Fine Furniture for every stage of life

121169
Counter Stool

ITEM: **121169**



ASSEMBLY INSTRUCTIONS

ASSEMBLY TIPS:

1. Remove hardware from box and sort by size.
2. Please check to see that all hardware and parts are present prior to start of assembly.
3. Please follow attached instructions in the same sequence as numbered to assure fast & easy assembly.



WARNING!

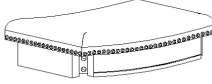
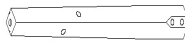
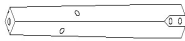


1. Don't attempt to repair or modify parts that are broken or defective. Please contact the store immediately.
2. This product is for home use only and not intended for commercial establishments.




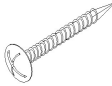



ASSEMBLY TIME

15 MINUTES

PARTS IDENTIFICATION

A	SEAT CUSHION WITH FRAME		1PC
B	LEG WITH "B" LABEL		2PCS
C	LEG WITH "C" LABEL		2PCS
D	LONG STRETCHER		2PCS
E	SHORT STRETCHER		2PCS

HARDWARE IDENTIFICATION

1	BOLT (Ø1/4" x 63.5mm - RBW)		8PCS
2	PAN HEAD SCREW (Ø8 x 45mm)		8PCS
3	LOCK WASHER (Ø1/4" x 10D x 1.1mm - RBW)		8PCS
4	FLAT WASHER (Ø1/4" x 22D x 2mm - RBW)		8PCS
5	ALLEN WRENCH (Ø4*58mm RBW)		1PC

NOTE:

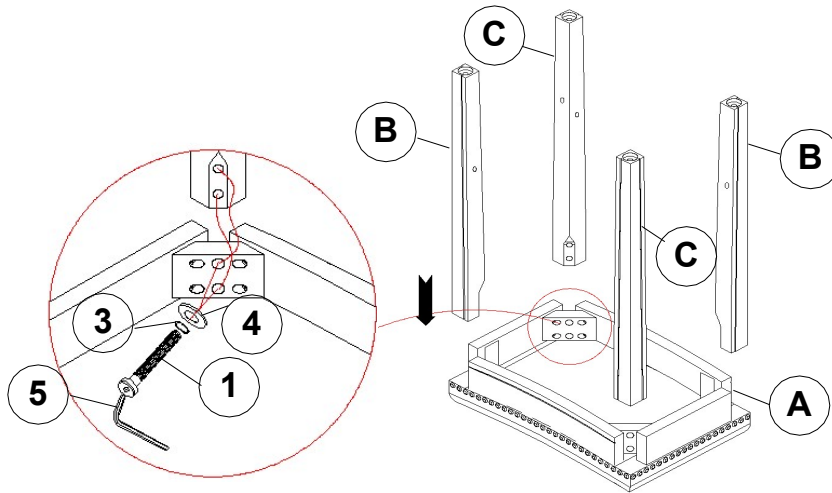
Quantities shown are for one chair.

Phillips head screw driver is required in the assembly process; however, manufacturer does not provide this item.

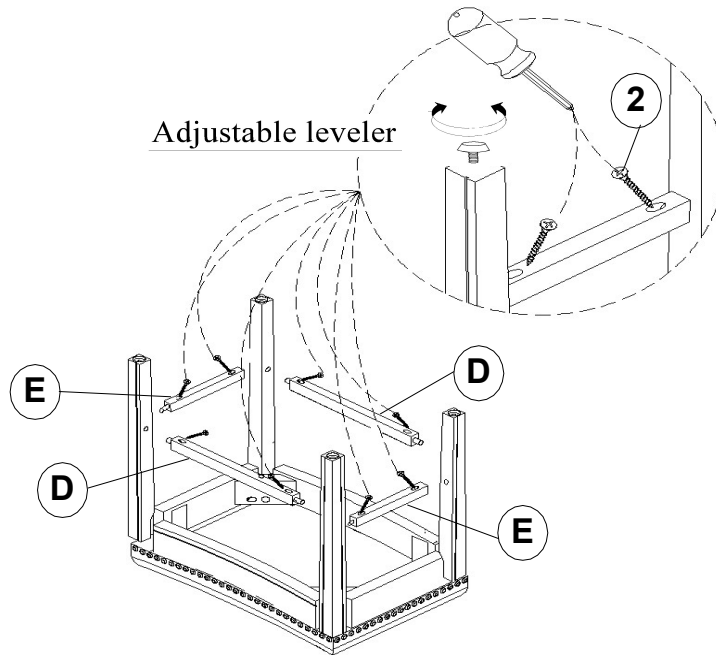
ITEM: **121169**



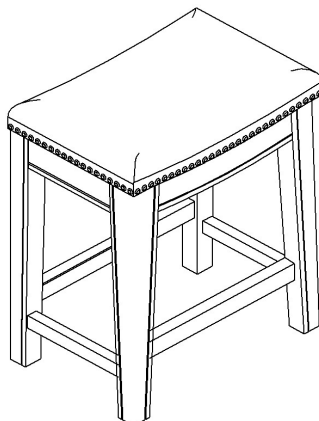
ASSEMBLY INSTRUCTIONS
STEP 1



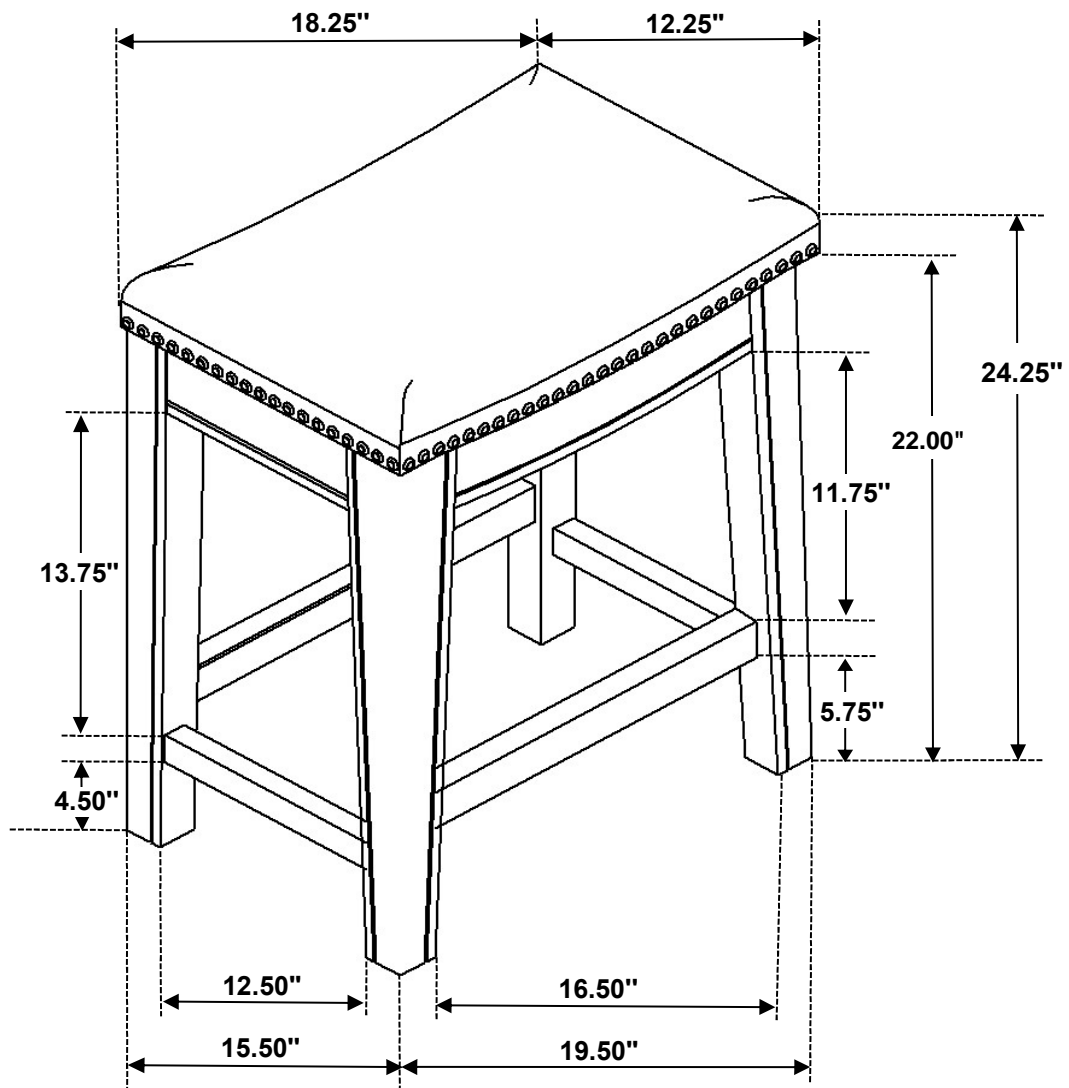
STEP 2



STEP 3
COMPLETE



ITEM:121169



Note :Dimension tolerance $\pm 5\%$