



ASSEMBLY INSTRUCTIONS
COASTER FINE FURNITURE



Fine Furniture for every stage of life

108888
Counter Height Dining Table

ITEM : 108888



ASSEMBLY INSTRUCTIONS

ASSEMBLY TIPS:

1. Remove hardware from box and sort by size.
2. Please check to see that all hardware and parts are present prior to start of assembly.
3. Please follow attached instructions in the same sequence as numbered to assure fast & easy assembly.



WARNING!

1. Don't attempt to repair or modify parts that are broken or defective. Please contact the store immediately.
2. This product is for home use only and not intended for commercial establishments.



ASSEMBLY TIME

20 MINUTES

PARTS IDENTIFICATION

A	TOP		1PC
B	LEG		4PCS
C	SHORT CROSSBAR		2PCS
D	LONG CROSSBAR		2PCS
E	MOUNTING BOARD		2PCS
F	SHELF		1PC

HARDWARE IDENTIFICATION

1	SHORT BOLT WITH WASHER (M6 x 40mm - BLK)		10PCS
2	LONG BOLT WITH WASHER (M6 x 50mm - BLK)		16PCS
3	HEX NUT (M8 x 13mm - RB)		4PCS
4	LOCK WASHER (M8 x 13mm - BLK)		4PCS
5	FLAT WASHER (M8 x 18mm - BLK)		4PCS
6	WOOD PLUG (14.5mm)		16PCS
7	ALLEN WRENCH (M4 x 60mm - GD)		1PC
8	WRENCH (M4 x 85mm - GD)		1PC

NOTE:

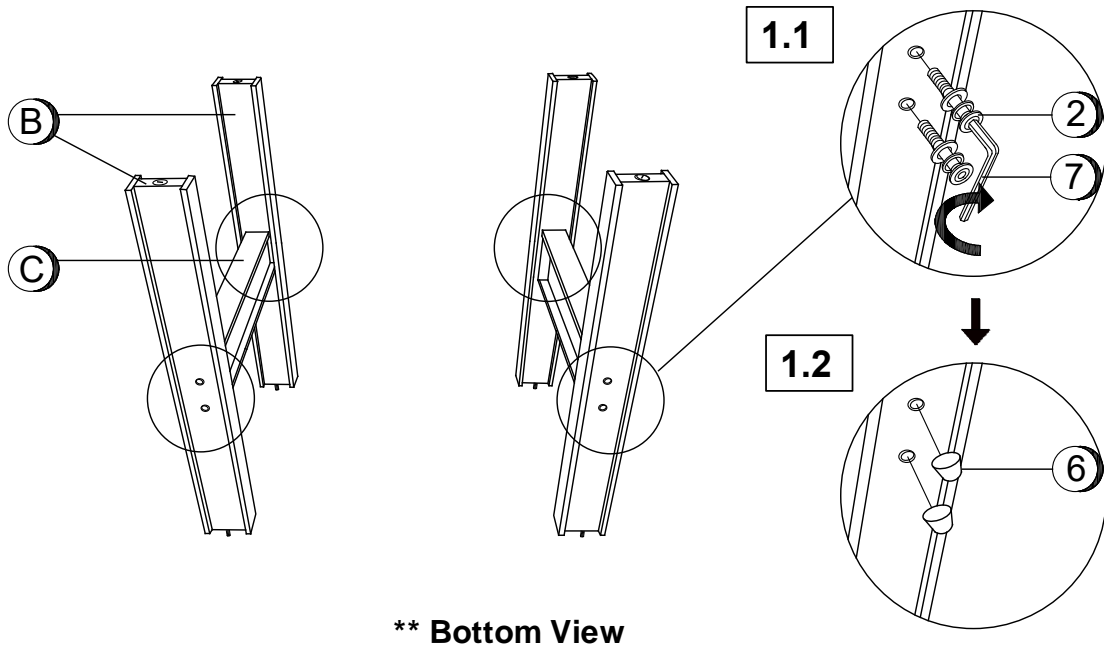
Phillips head screw driver is required in the assembly process; however, manufacturer does not provide this item.

ITEM : **108888**

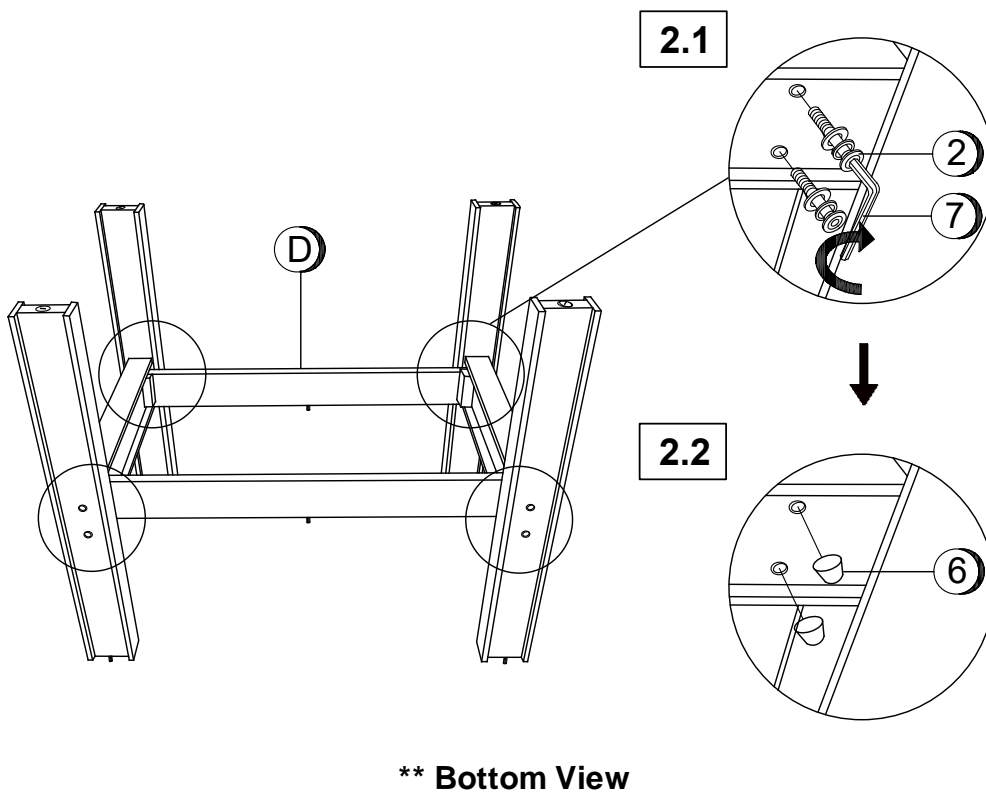
ASSEMBLY INSTRUCTIONS



STEP 1



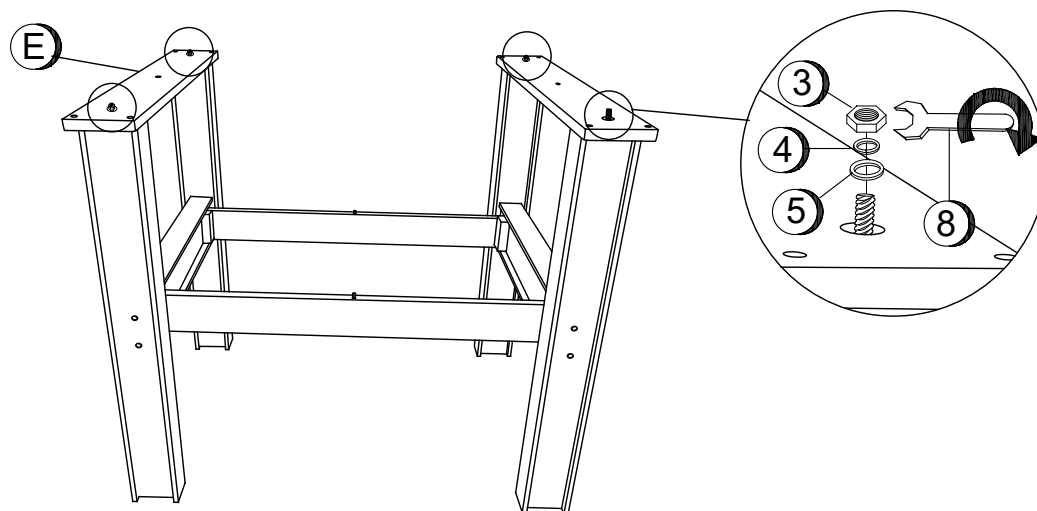
STEP 2



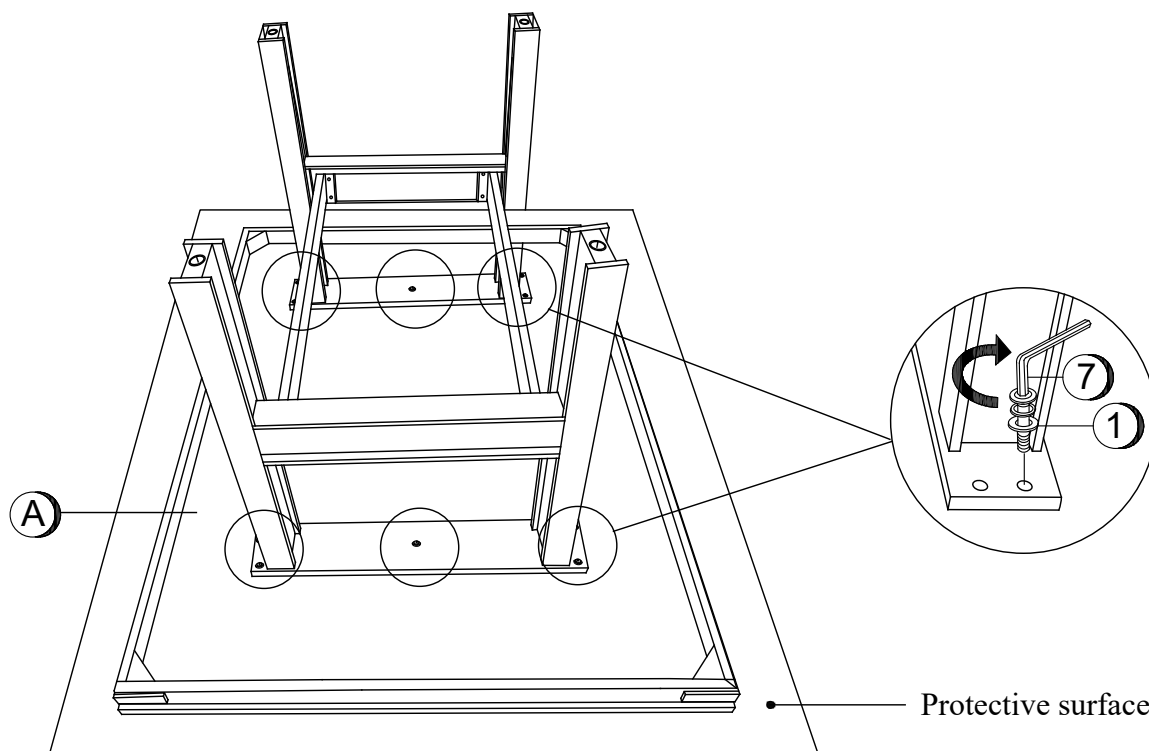
ITEM : **108888**

ASSEMBLY INSTRUCTIONS

STEP 3



STEP 4



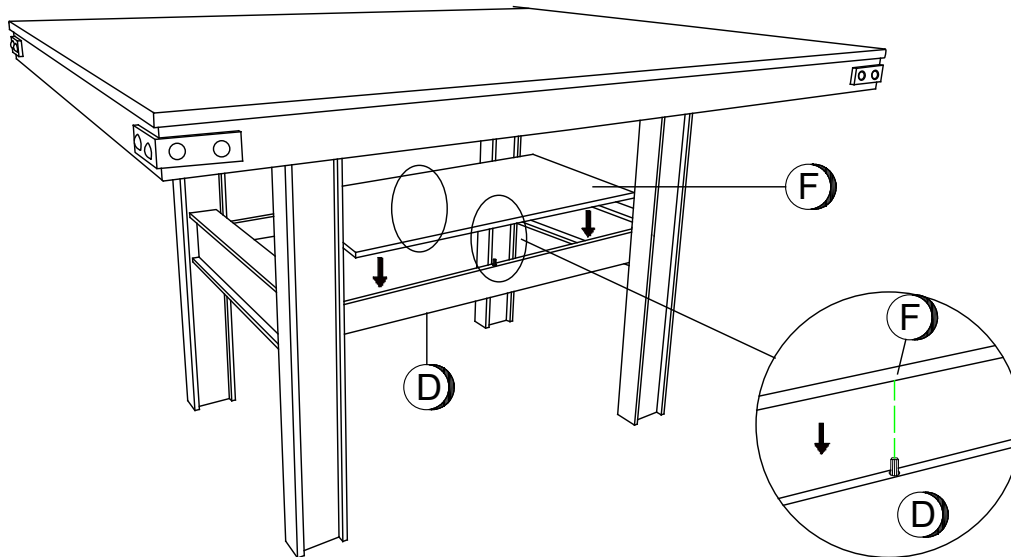
**** Bottom View**

ITEM : **108888**

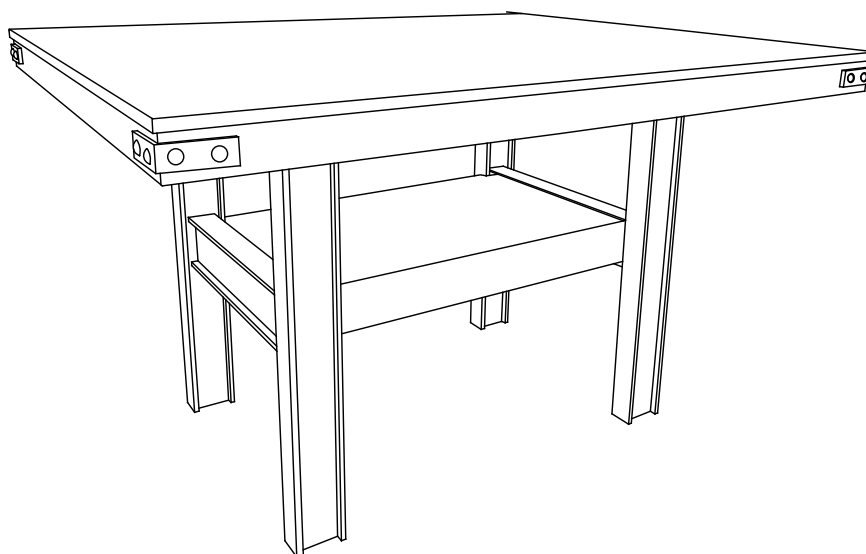
ASSEMBLY INSTRUCTIONS



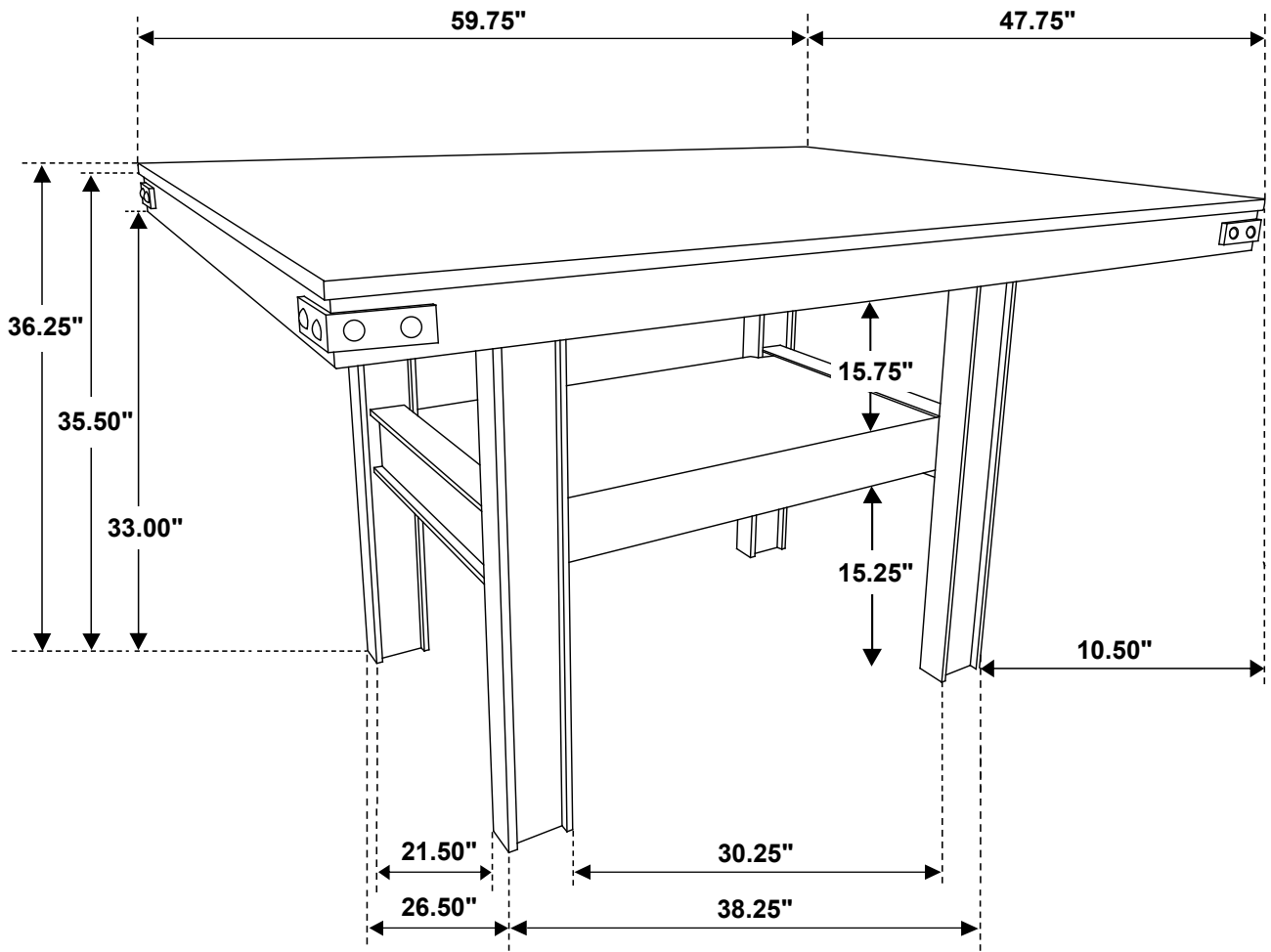
STEP 5



STEP 6
COMPLETE



ITEM : 108888



Note : Dimension tolerance $\pm 5\%$