



*ASSEMBLY INSTRUCTIONS*  
*COASTER FINE FURNITURE*



*Fine Furniture for every stage of life*

**102271 (B1&B2)**  
***Kitchen Island***

REVISION 0 : 04/25/2016  
REVISION 1 : 07/02/2020  
REVISION 2 : 02/05/2021

**PAGE 1 OF 7**

COASTERFURNITURE.COM

# ITEM: 102271 (B1&B2)



## ASSEMBLY INSTRUCTIONS

### ASSEMBLY TIPS:

1. Remove hardware from box and sort by size.
2. Please check to see that all hardware and parts are present prior to start of assembly.
3. Please follow attached instructions in the same sequence as numbered to assure fast & easy assembly.



### WARNING!

1. Don't attempt to repair or modify parts that are broken or defective. Please contact the store immediately.
2. This product is for home use only and not intended for commercial establishments.



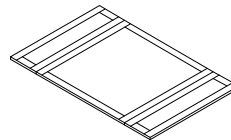
ASSEMBLY TIME

20 MINUTES

## PARTS IDENTIFICATION

### B1 ( BOX 1 )

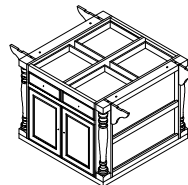
BV KITCHEN CART TOP



1PC

### B2 ( BOX 2 )

AV KITCHEN CART BASE



1PC

CV LEG



4PCS

## HARDWARE IDENTIFICATION

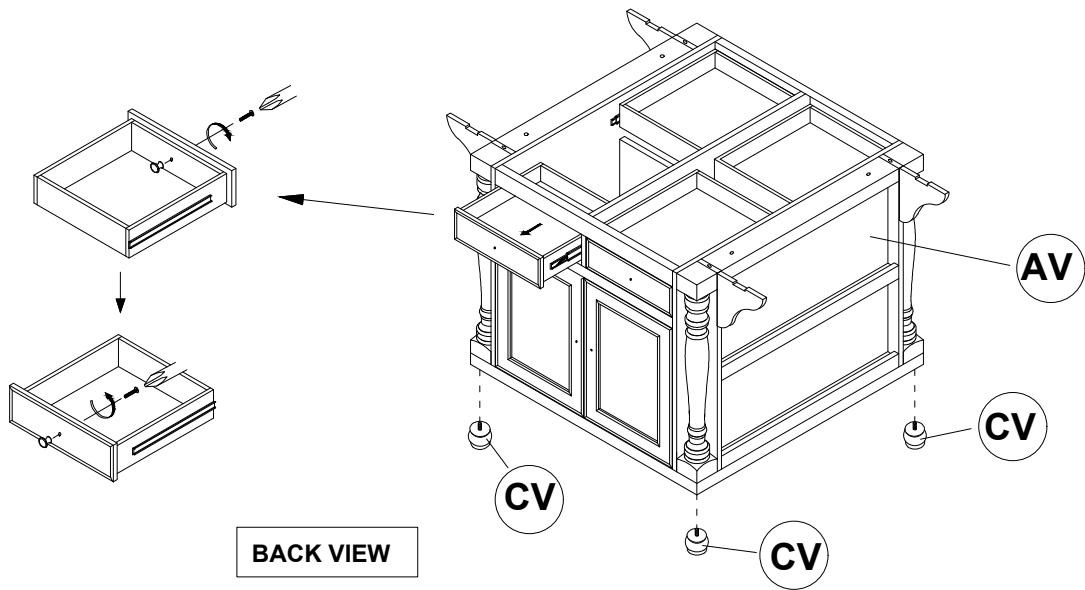
### Z-B2 (BOX 2) - HARDWARE PACK IS LOCATED IN 102270(B2)

1	ALLEN WRENCH (4MM - RBW)		1PC
2	BOLT (Ø5/16" x 1-3/16" - RBW)		4PCS
3	LOCK WASHER (Ø5/16" - RBW)		4PCS
4	FLAT WASHER (Ø5/16" - RBW)		4PCS
5	GLUE		1PC
6	WOOD PLUG (Ø10 x 30mm)		4PCS

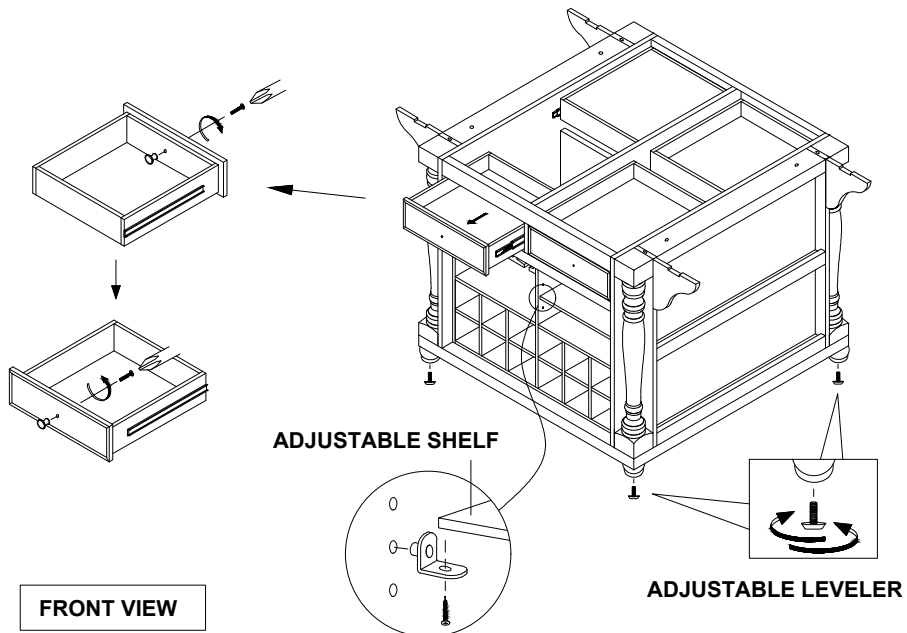
# ITEM: 102271 (B1&B2)

## ASSEMBLY INSTRUCTIONS

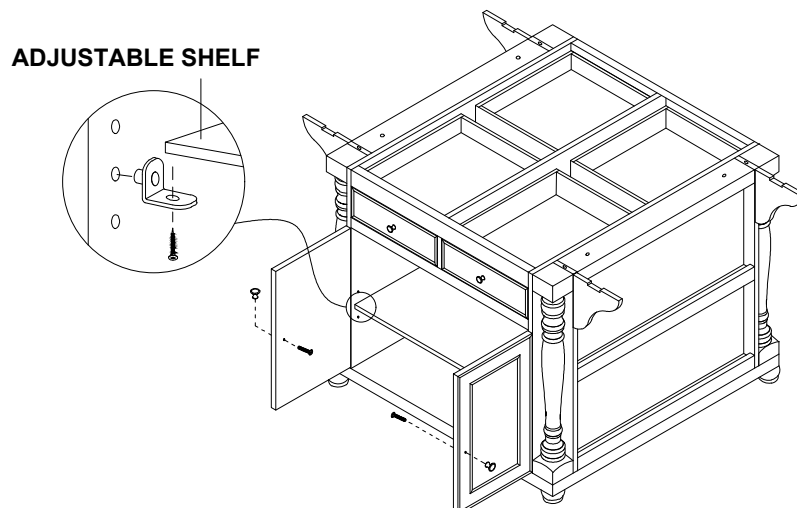
### STEP 1



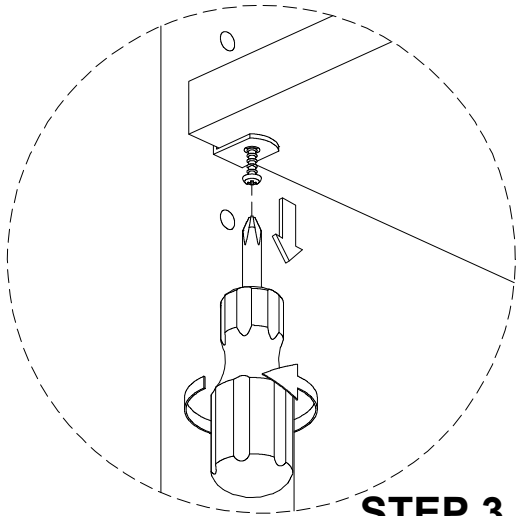
### STEP 2



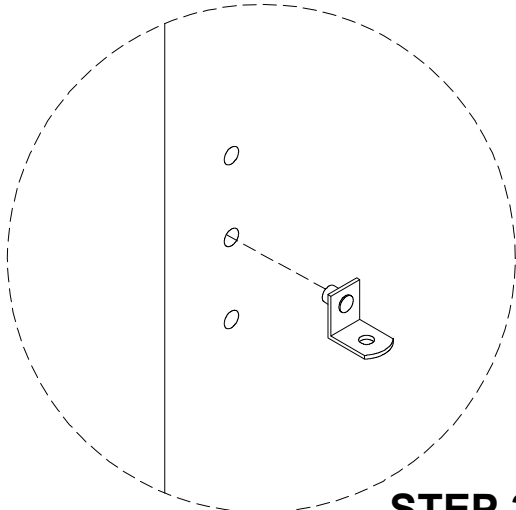
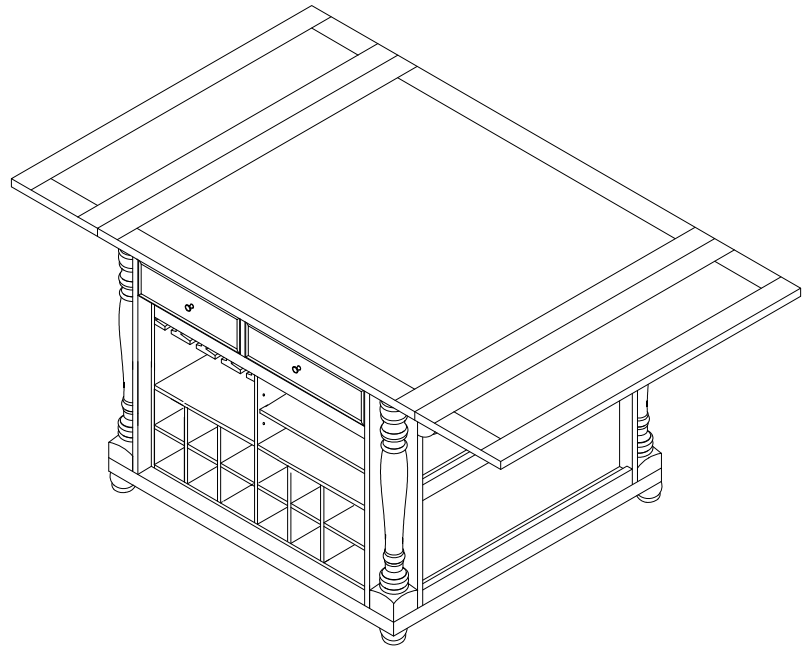
### STEP 3



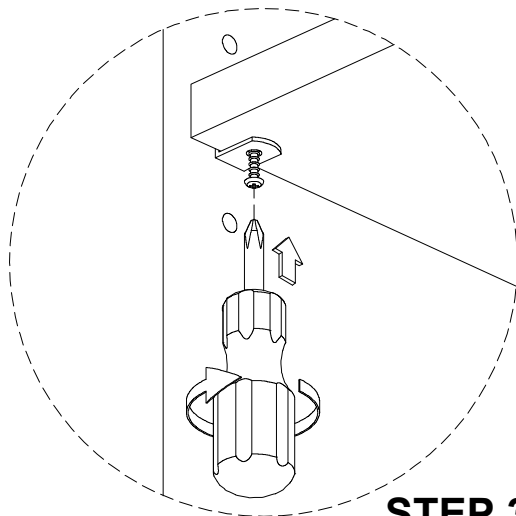
## OPTIONAL ADJUSTABLE SHELF



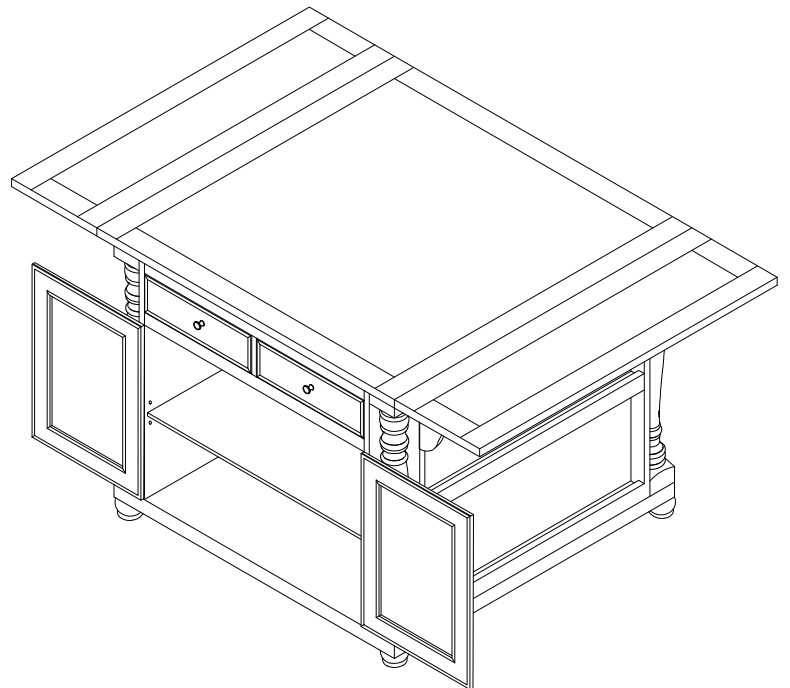
**STEP 3.1**



**STEP 3.2**



**STEP 3.3**



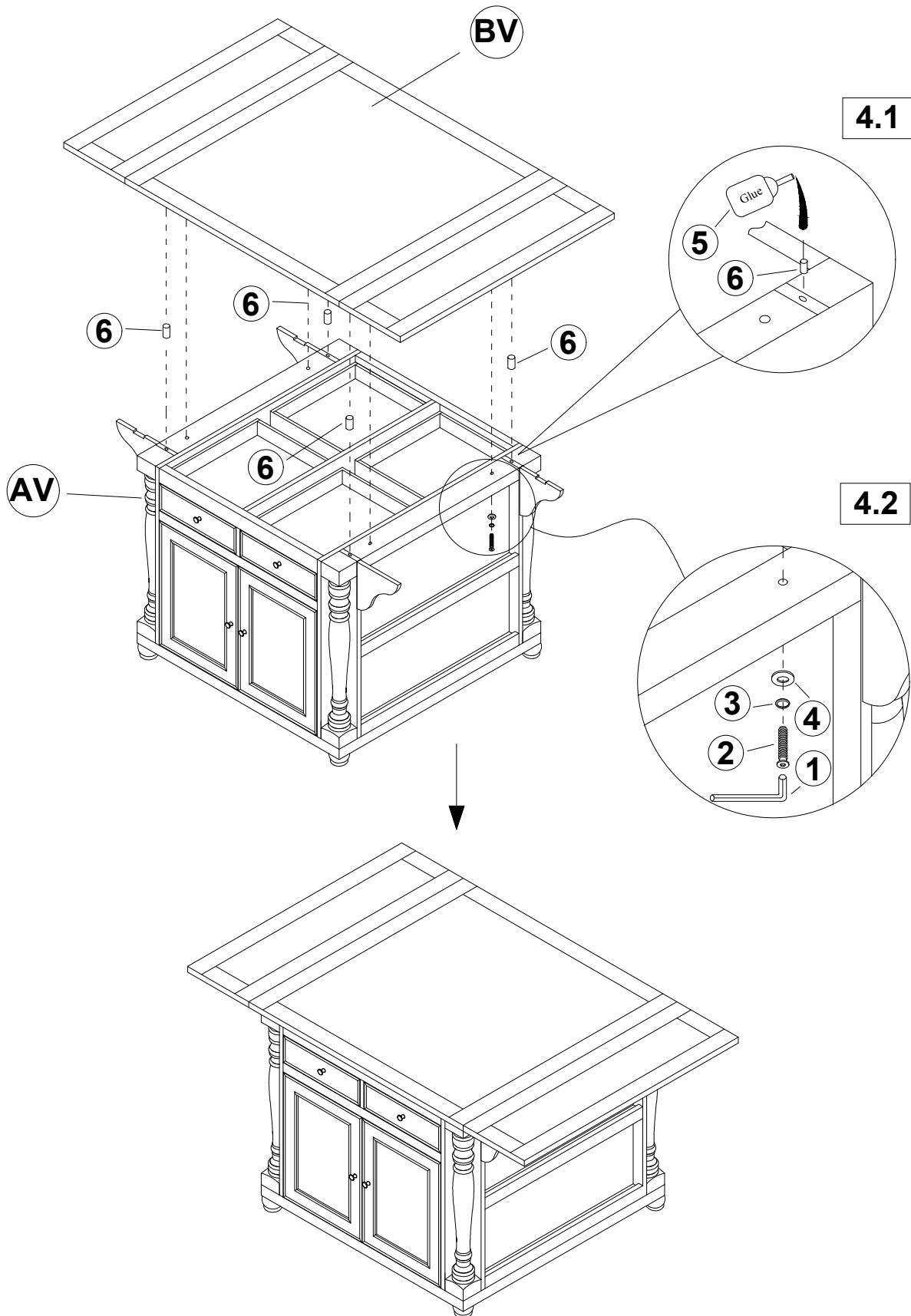
**NOTE:**

Phillips head screw driver is required in the assembly process; however, manufacturer does not provide this item.

# ITEM: 102271 (B1-B2)

## ASSEMBLY INSTRUCTIONS

### STEP 4

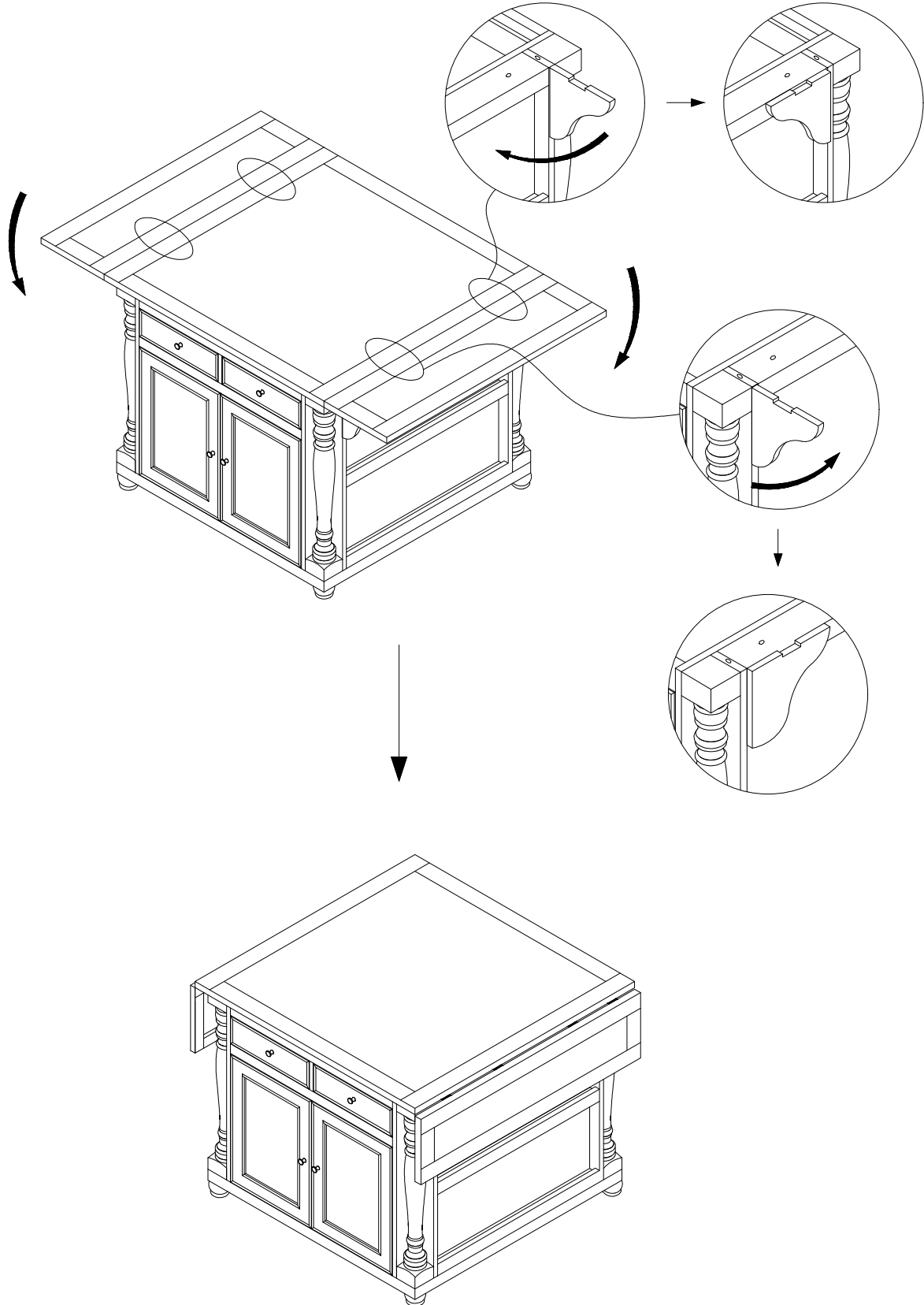


ITEM: **102271 (B1&B2)**

**ASSEMBLY INSTRUCTIONS**

**STEP 5**

**Close the kitchen cart top**

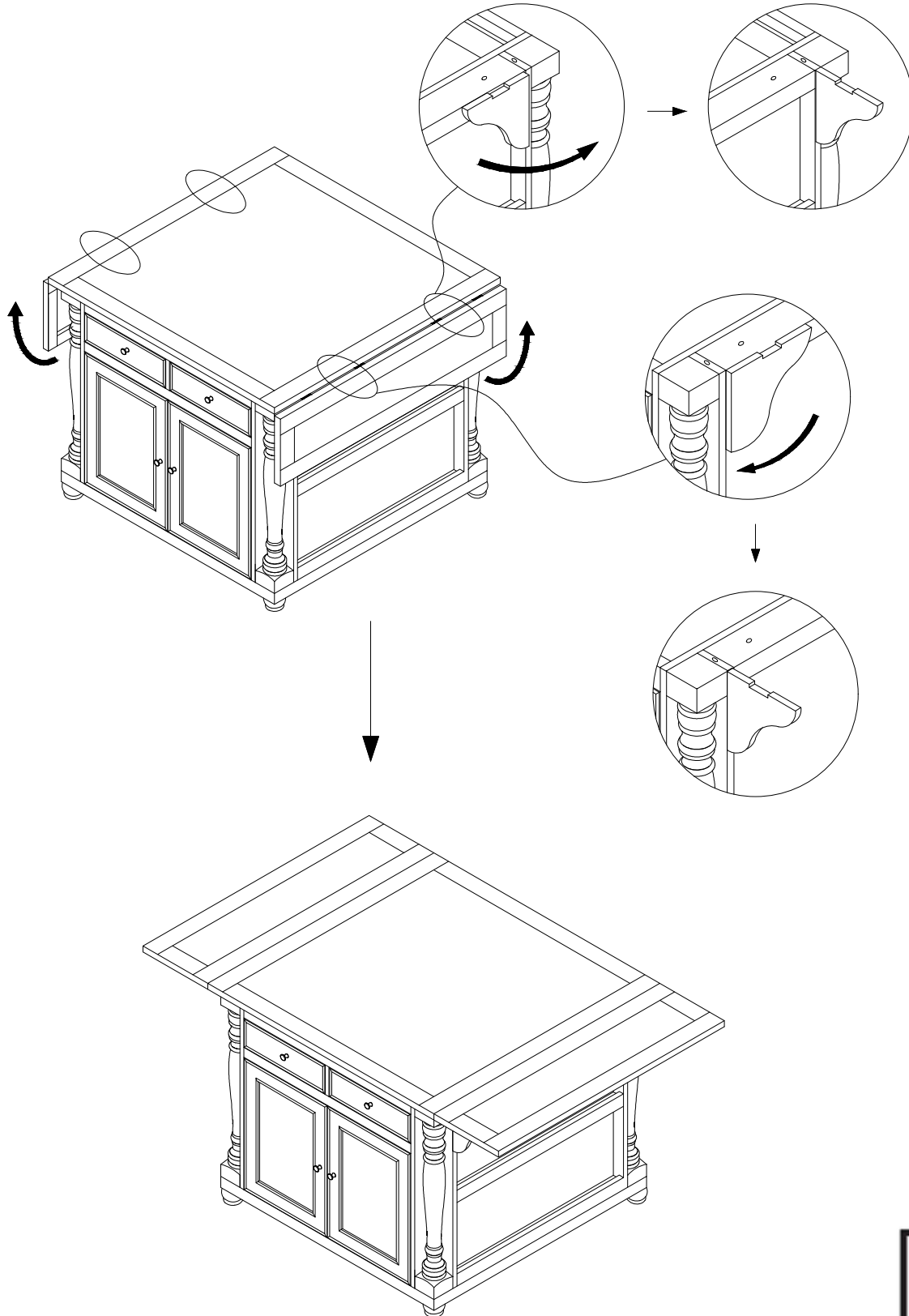


ITEM: **102271 (B1&B2)**

**ASSEMBLY INSTRUCTIONS**

**STEP 6**  
**COMPLETE**

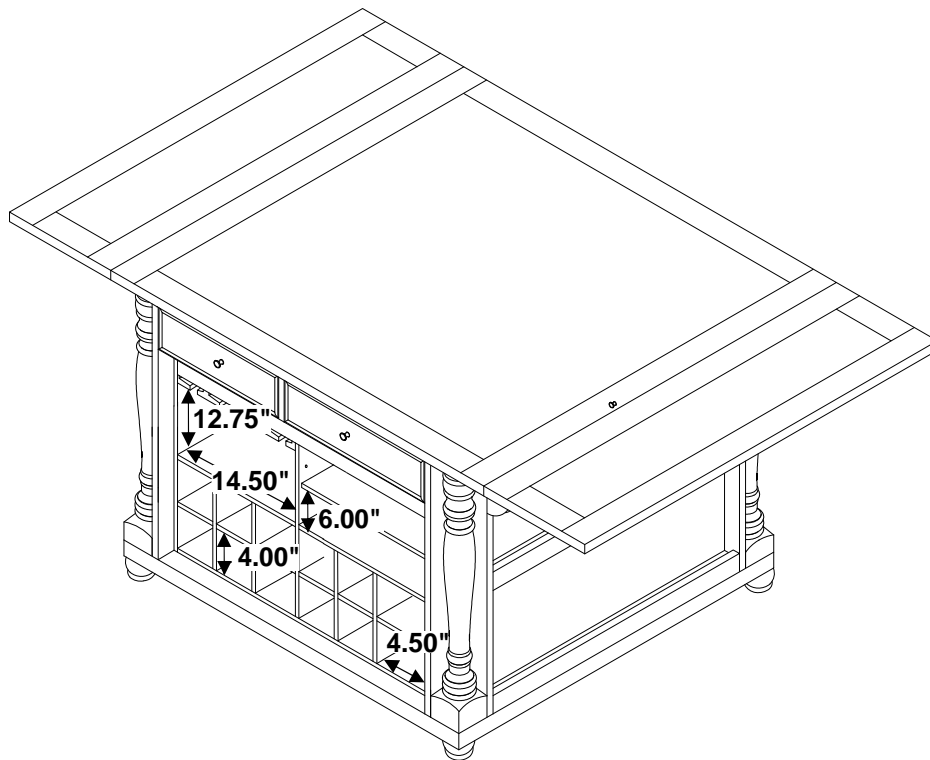
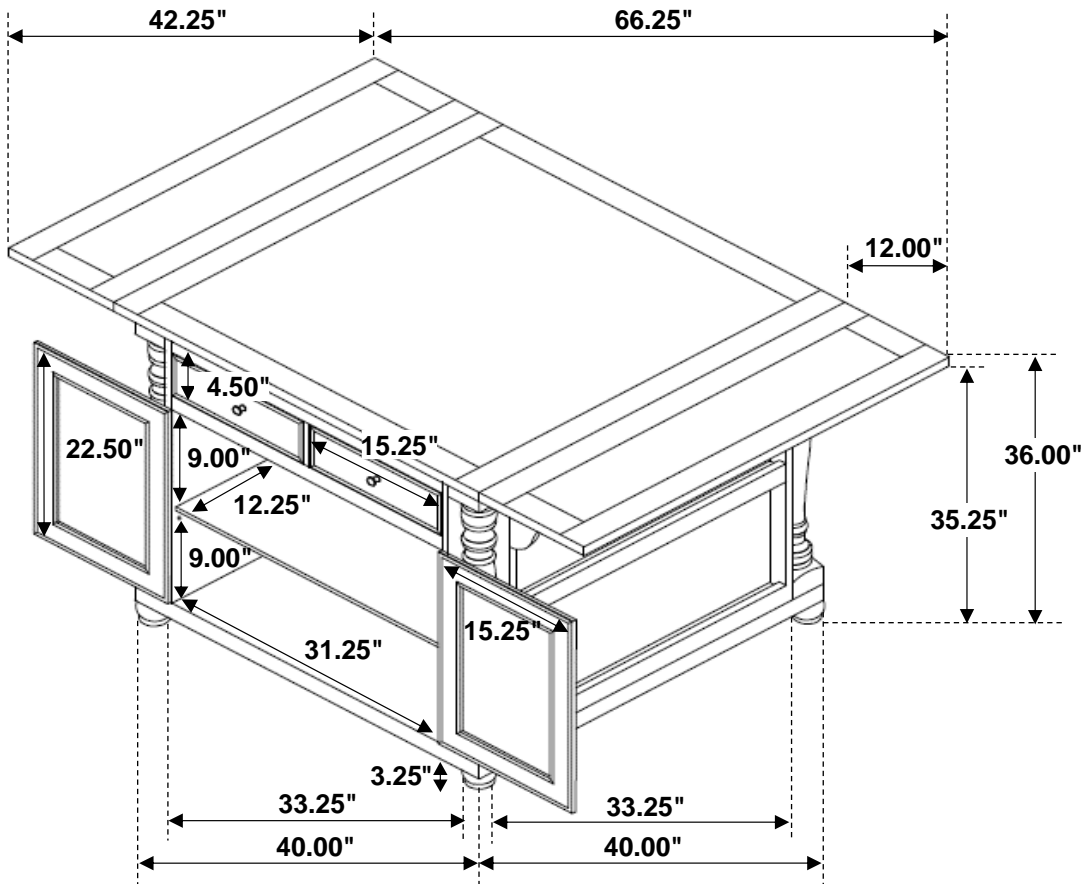
**Open up the kitchen cart top**



# ITEM: 102271 (B1&B2)



Inner Size of Drawer : 13.50"W x 12.75"D x 3.25"H x 0.25"T



Note: Dimension tolerance  $\pm 5\%$