

ASSEMBLY INSTRUCTIONS
COASTER FINE FURNITURE



Fine Furniture for every stage of life

102069GRY
Counter Height Chair

ITEM: 102069GRY



ASSEMBLY INSTRUCTIONS

ASSEMBLY TIPS:

1. Remove hardware from box and sort by size.
2. Please check to see that all hardware and parts are present prior to start of assembly.
3. Please follow attached instructions in the same sequence as numbered to assure fast & easy assembly.

WARNING!



1. Don't attempt to repair or modify parts that are broken or defective. Please contact the store immediately.
2. This product is for home use only and not intended for commercial establishments.



ASSEMBLY TIME

15 MINUTES

PART IDENTIFICATION

AV	BACK FRAME		1PC
BV	SEAT CUSHION WITH FRAME		1PC
CV	LEFT FRONT LEG		1PC
DV	RIGHT FRONT LEG		1PC
EV	FRONT STRETCHER		1PC
FV	SIDE STRETCHER		2PCS

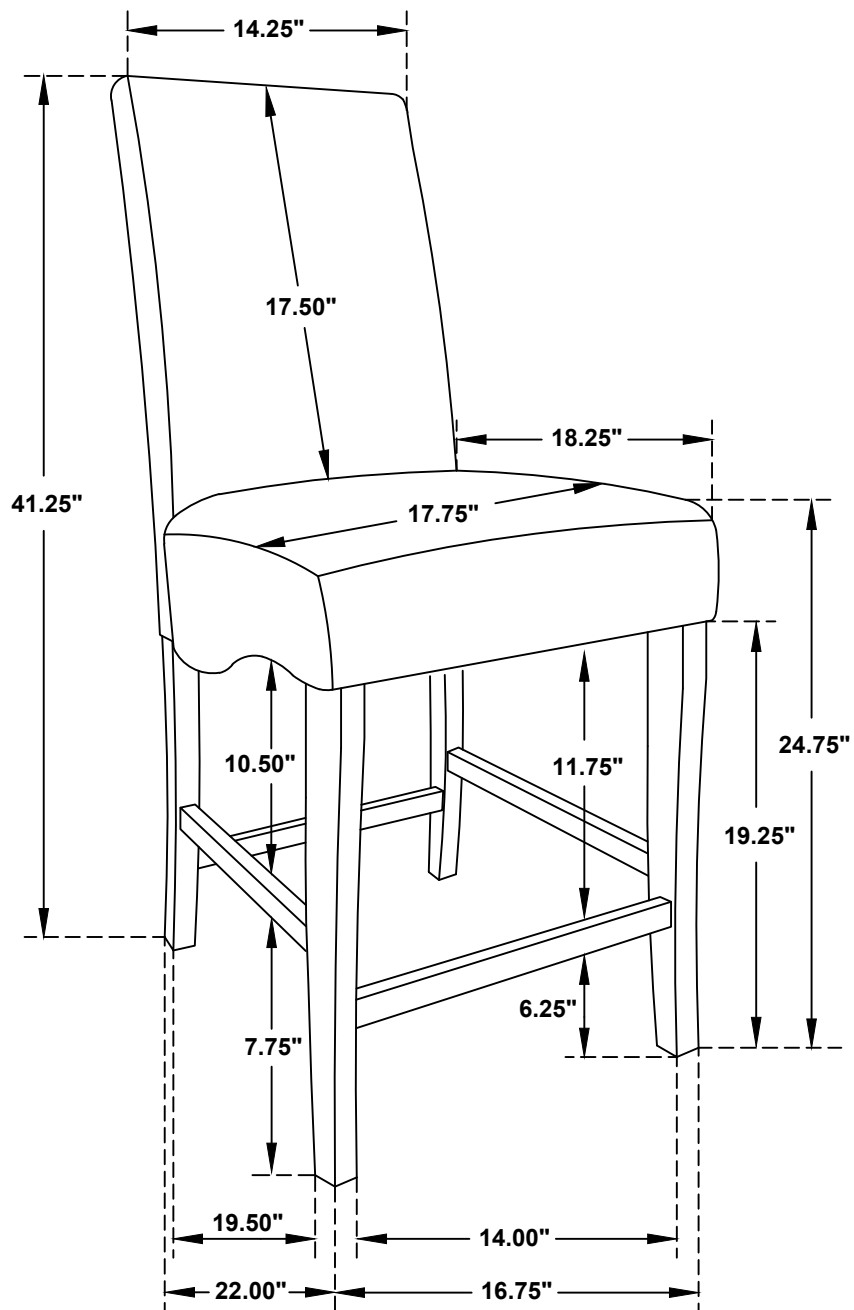
HARDWARE IDENTIFICATION

1	LONG BOLT (Ø5/16" x 3-1/4" - RBW)		4PCS
2	MEDIUM BOLT (Ø5/16" x 2-1/4" - RBW)		4PCS
3	SHORT BOLT (Ø5/16" x 1-3/4" - RBW)		2PCS
4	LOCK WASHER (Ø5/16" - RBW)		10PCS
5	FLAT WASHER (Ø5/16" - RBW)		10PCS
6	PAN HEAD CREW (Ø4 x1-1/2" - RBW)		6PCS
7	ALLEN WRENCH (4MM - RBW)		1PC

NOTE:

Phillips head screw driver is required in the assembly process; however, manufacturer does not provide this item. Quantities shown are for one chair.

ITEM: 102069GRY



Note: Dimension tolerance $\pm 5\%$