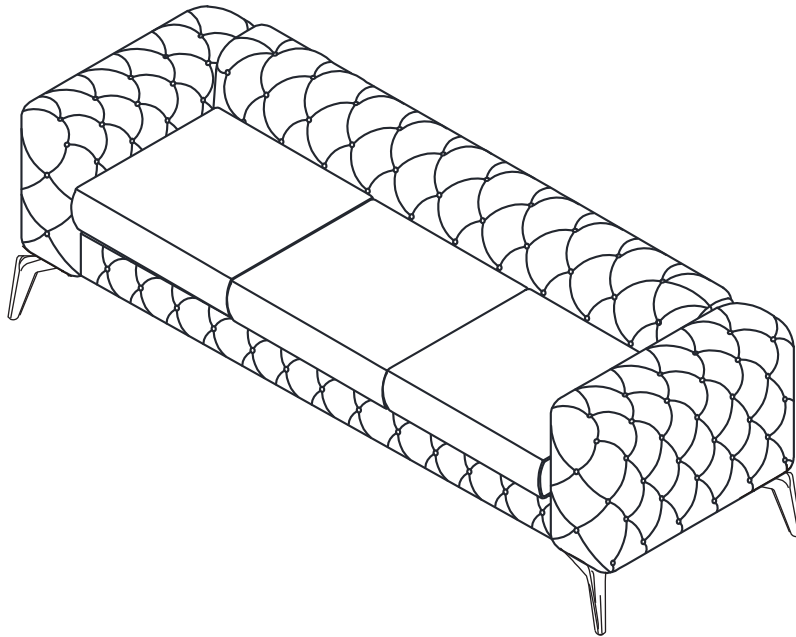
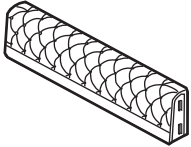

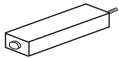
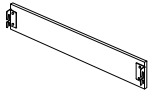

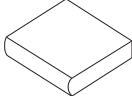
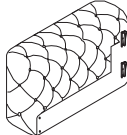
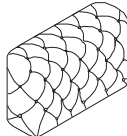


ASSEMBLY INSTRUCTIONS

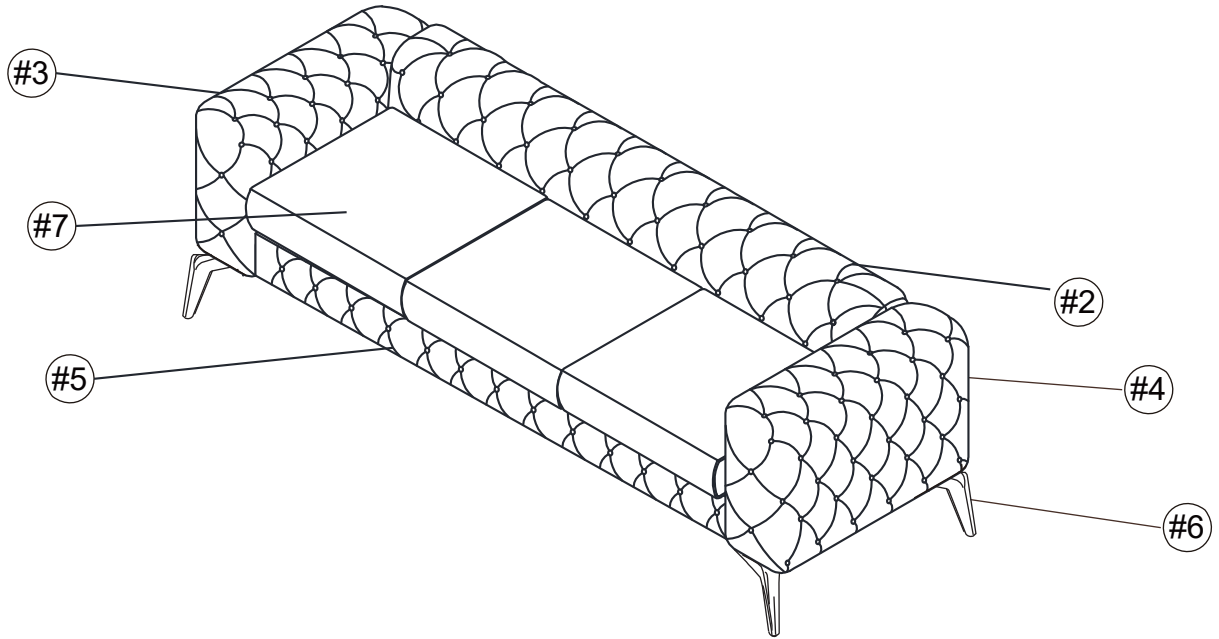
3 SEATER SOFA




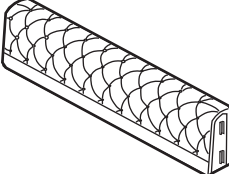

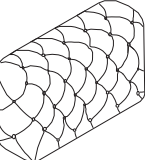
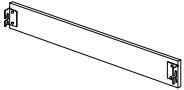
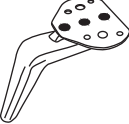
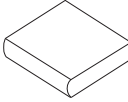
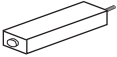
3 SEATER SOFA is packed in 3 cases

Carton	Disignation	Part	Hardware
1/3	Backrest	#2 	#A #B #C #D
	Leg	#6 	
	Support leg	#8 	
	Former board	#5 	
2/3	Riser plate	#1 	
	Cushion	#7 	
3/3	Left arm	#3 	
	Right arm	#4 	





ASSEMBLY INSTRUCTIONS



PARTS

<p>#1 1pc</p> 	<p>#2 1pc</p> 	<p>#3 1pc</p> 	<p>#4 1pc</p> 
<p>RISER PLATE</p>	<p>BACKREST</p>	<p>LEFT ARM</p>	<p>RIGHT ARM</p>
<p>#5 1pc</p> 	<p>#6 4pcs</p> 	<p>#7 3pcs</p> 	<p>#8 3pcs</p> 
<p>FORMER BOARD</p>	<p>LEG</p>	<p>CUSHION</p>	<p>SUPPORT LEG</p>

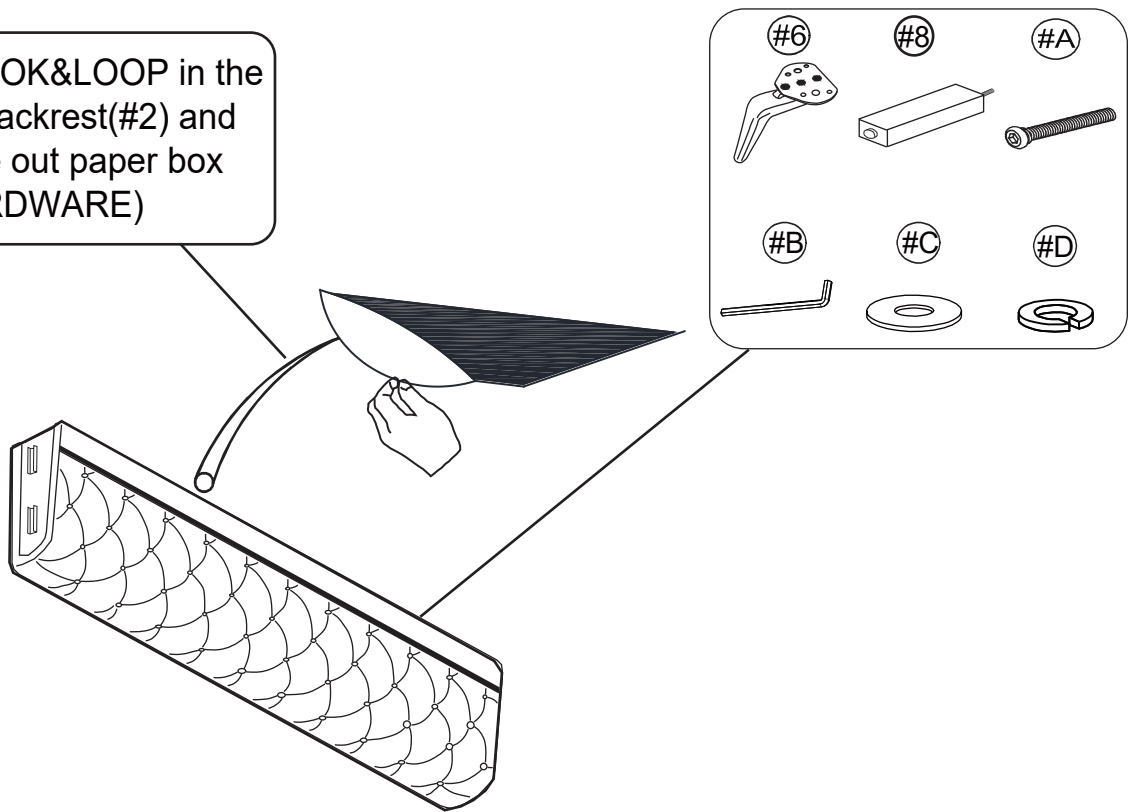
HARDWARE

<p>#A 12 pcs</p> 	<p>#B 1 pc</p> 	<p>#C 12 pcs</p> 	<p>#D 12 pcs</p> 
<p>BOLT 1 -1/2" L</p>	<p>ALLEN KEY 4mm L</p>	<p>FLAT WASHER 16mm</p>	<p>SPRING WASHER</p>

ASSEMBLY INSTRUCTIONS

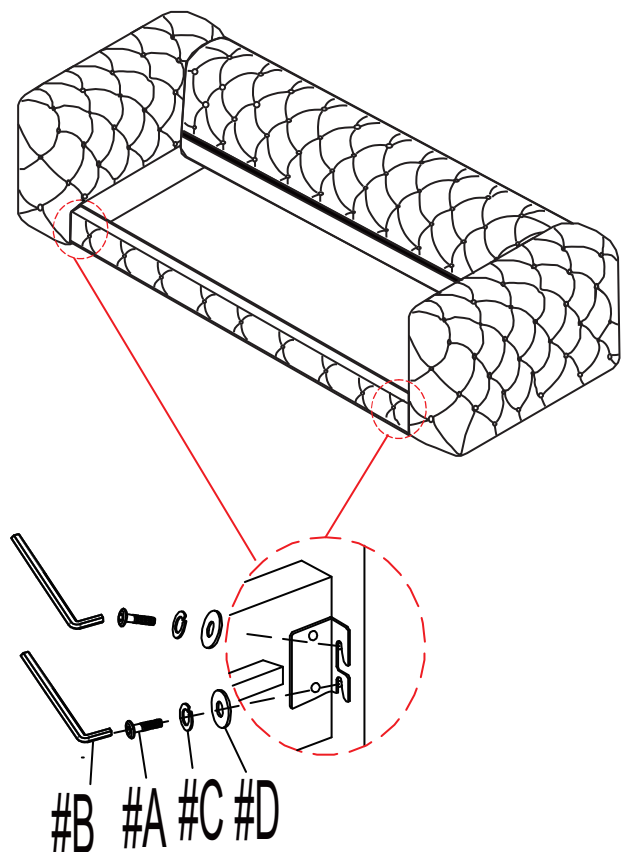
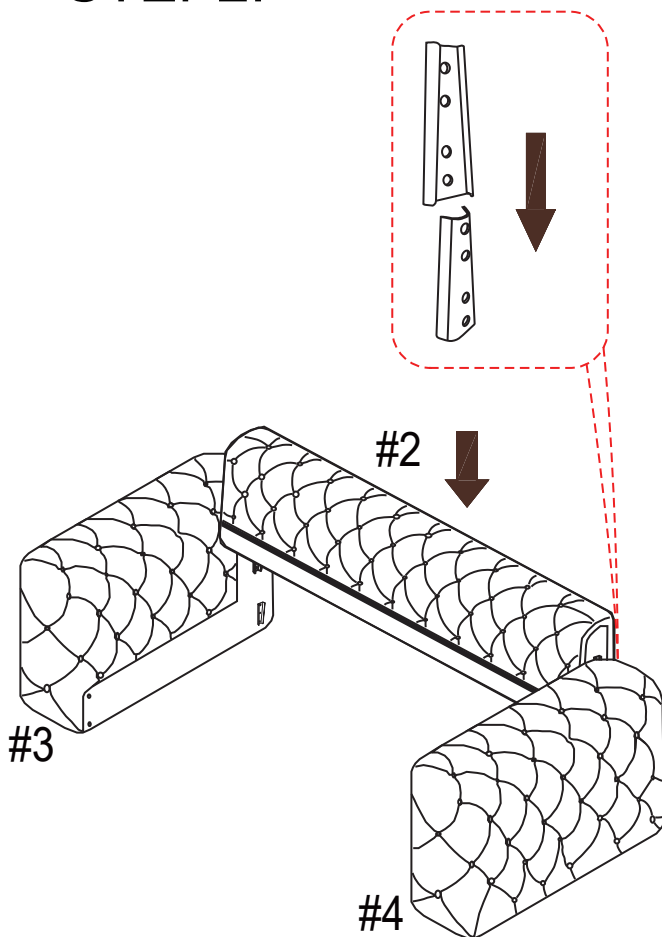
STEP1:

Pull the HOOK&LOOP in the bottom of backrest(#2) and open it,take out paper box (#6,#8,HARDWARE)



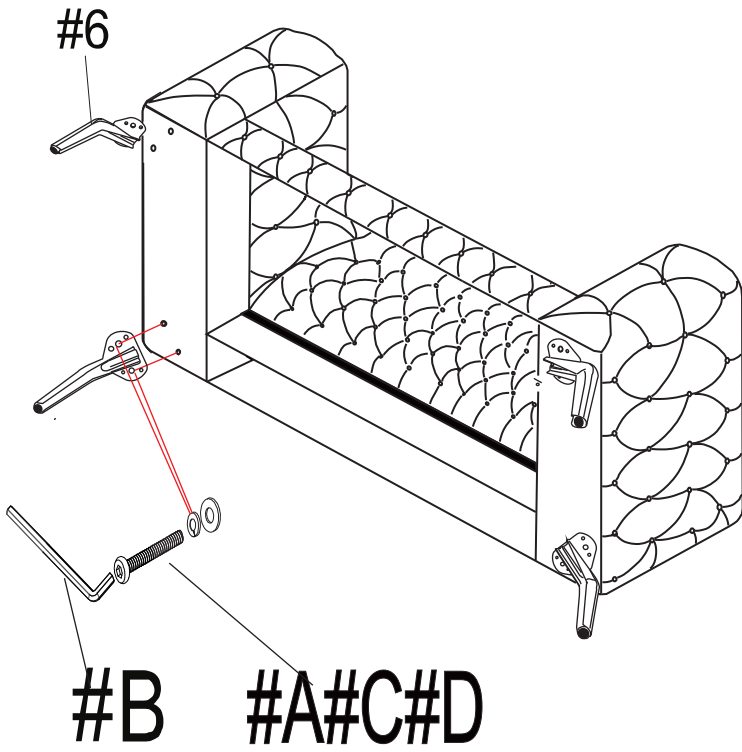
STEP2:

STEP3:

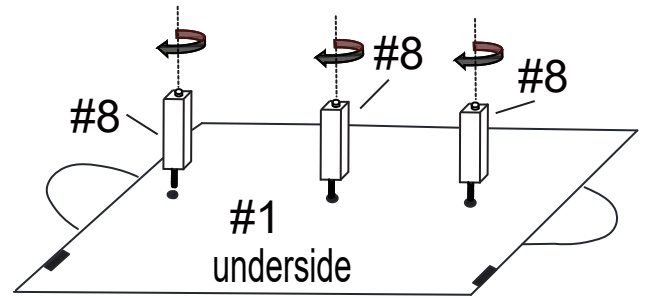


ASSEMBLY INSTRUCTIONS

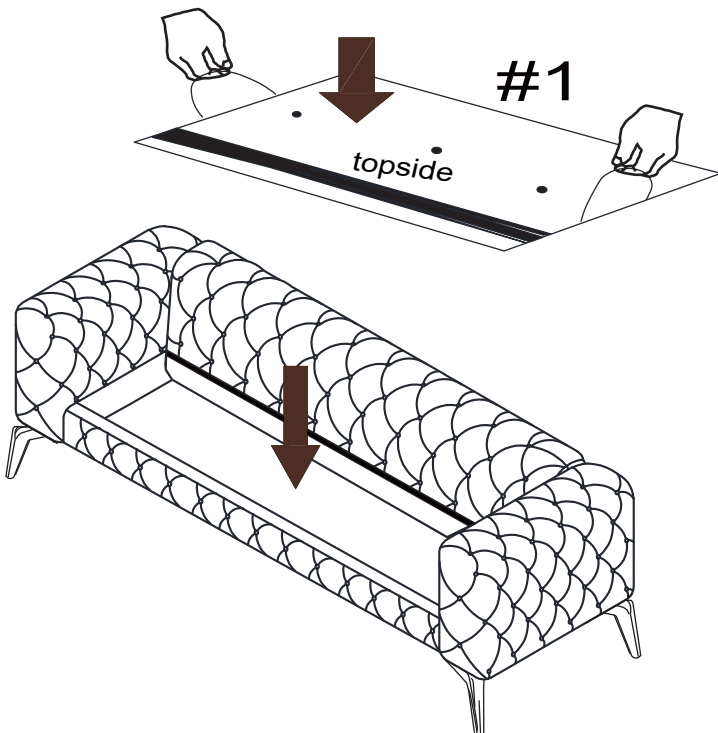
STEP4:



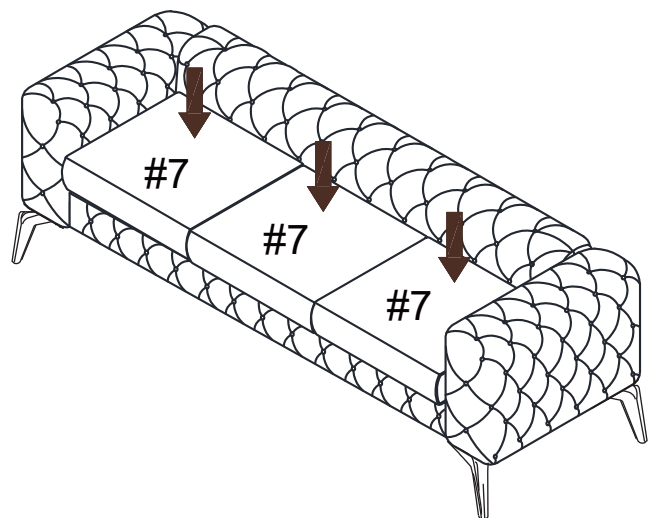
STEP5:



STEP6:

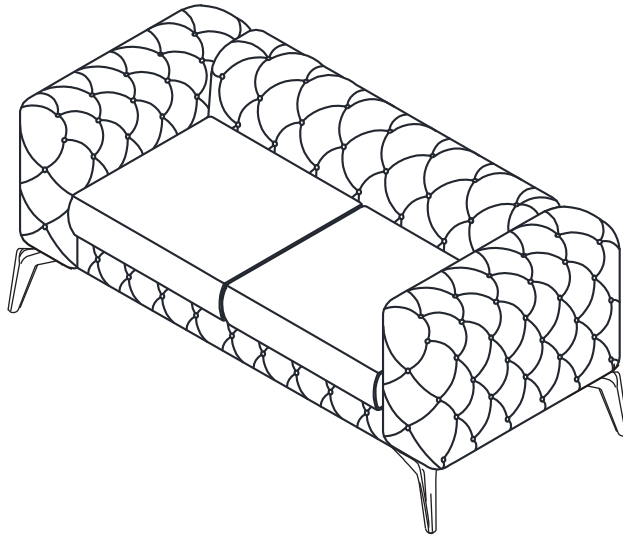


STEP7:

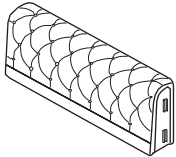

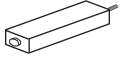
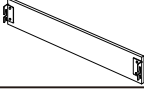

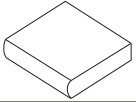

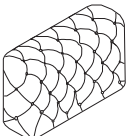


ASSEMBLY INSTRUCTIONS

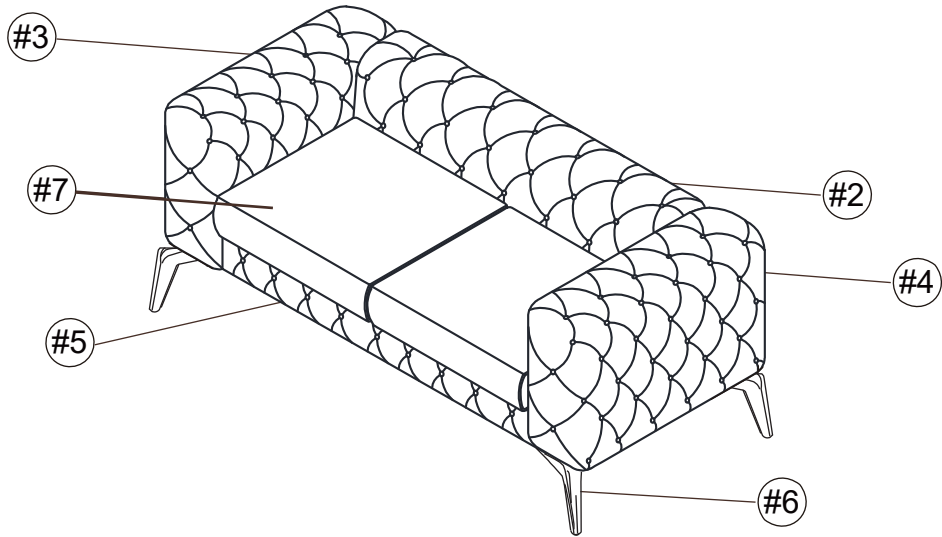
2 SEATER SOFA




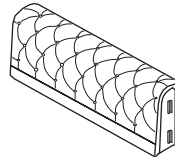
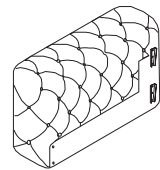
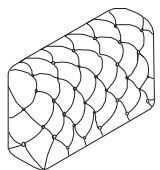
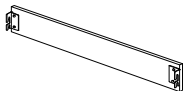
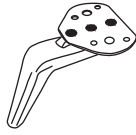
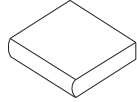

2 SEATER SOFA is packed in 3 cases

Carton	Disignation	Part	Hardware
1/3	Backrest	#2 	ⓐ ⓑ ⓒ ⓓ
	Leg	#6 	
	Support leg	#8 	
	Former board	#1 	
2/3	Riser plate	#5 	
	Cushion	#7 	
3/3	Left arm	#3 	
	Right arm	#4 	





ASSEMBLY INSTRUCTIONS



PARTS

<p>#1 1pc</p>  <p>RISER PLATE</p>	<p>#2 1pc</p>  <p>BACKREST</p>	<p>#3 1pc</p>  <p>LEFT ARM</p>	<p>#4 1pc</p>  <p>RIGHT ARM</p>
<p>#5 1pc</p>  <p>FORMER BOARD</p>	<p>#6 4pcs</p>  <p>LEG</p>	<p>#7 2pcs</p>  <p>CUSHION</p>	<p>#8 3pcs</p>  <p>SUPPORT LEG</p>

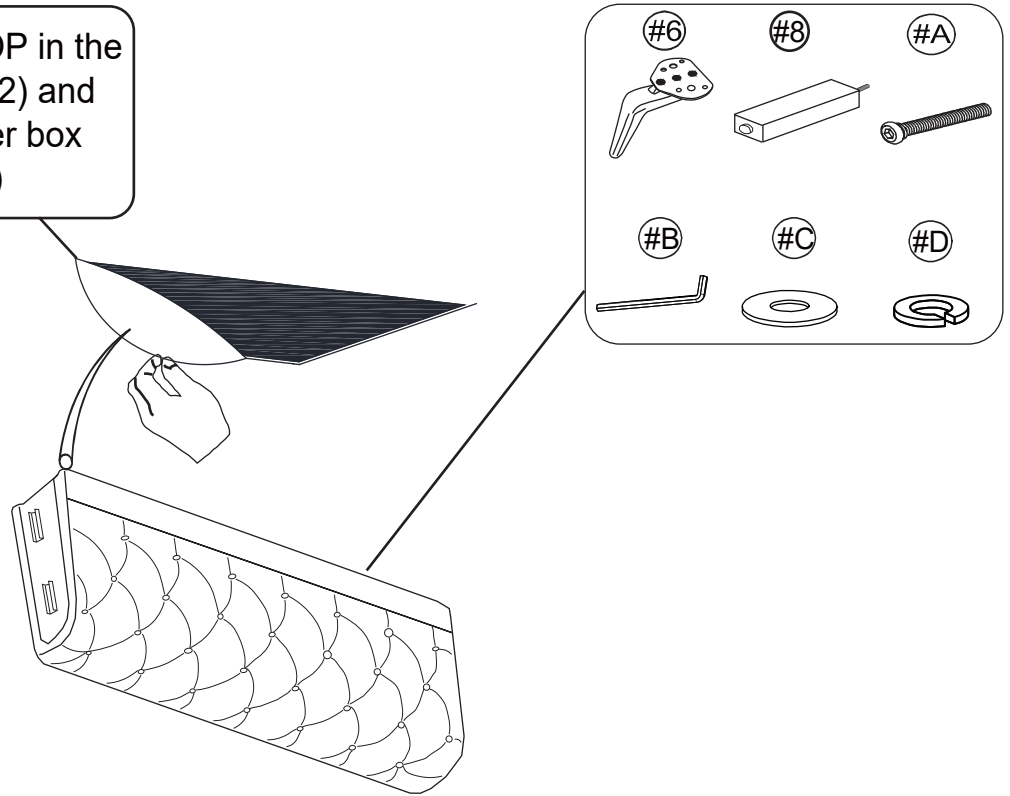
HARDWARE

<p>#A 12 pcs</p>  <p>BOLT 1 -1/2" L</p>	<p>#B 1 pc</p>  <p>ALLEN KEY 4mm L</p>	<p>#C 12 pcs</p>  <p>FLAT WASHER 16mm</p>	<p>#D 12 pcs</p>  <p>SPRING WASHER</p>
--	---	---	---

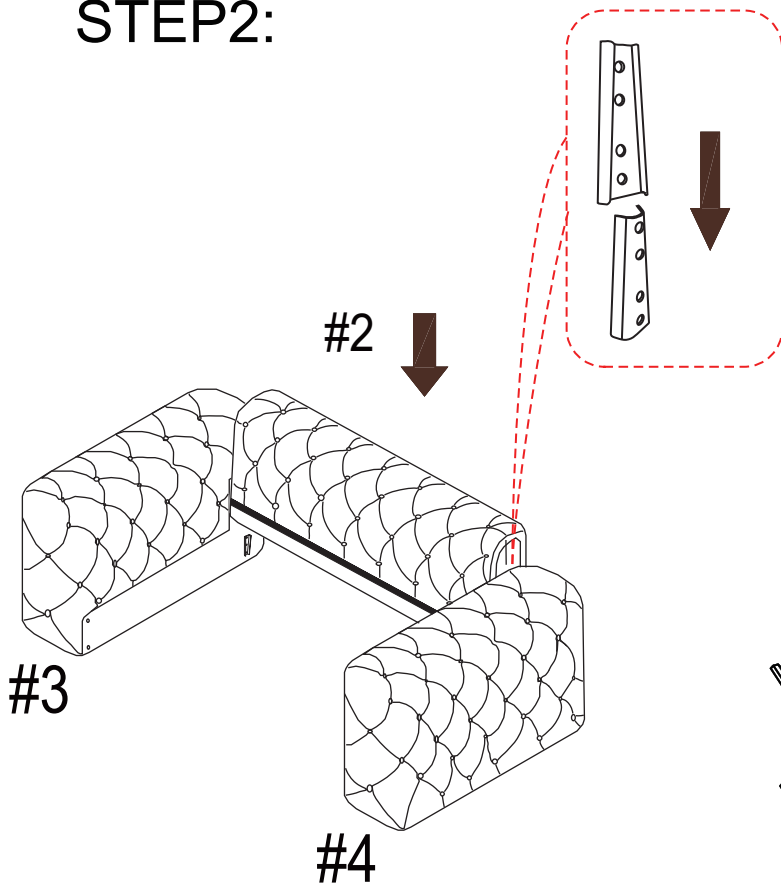
ASSEMBLY INSTRUCTIONS

STEP1:

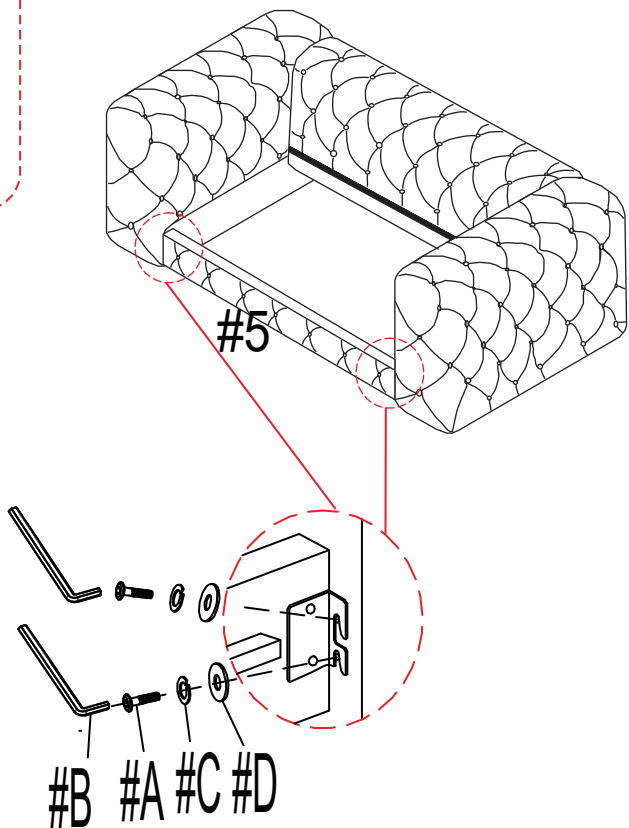
Pull the HOOK&LOOP in the bottom of backrest(#2) and open it, take out paper box (#6,#8,HARDWARE)



STEP2:

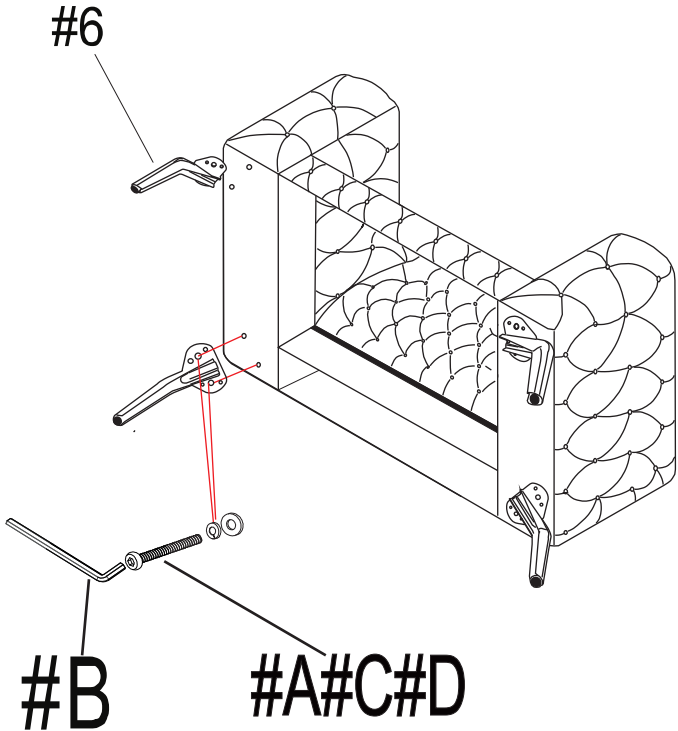


STEP3:

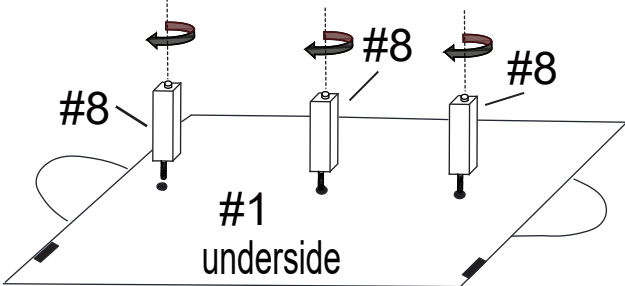


ASSEMBLY INSTRUCTIONS

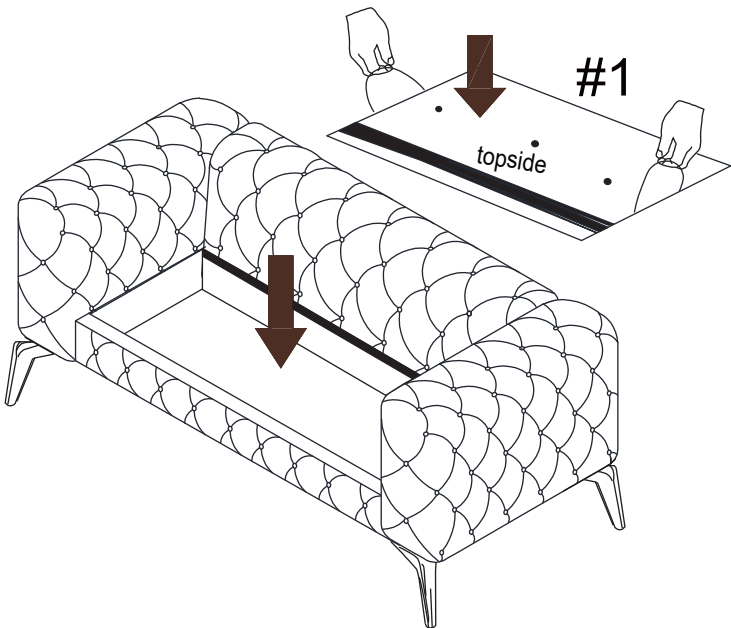
STEP4:



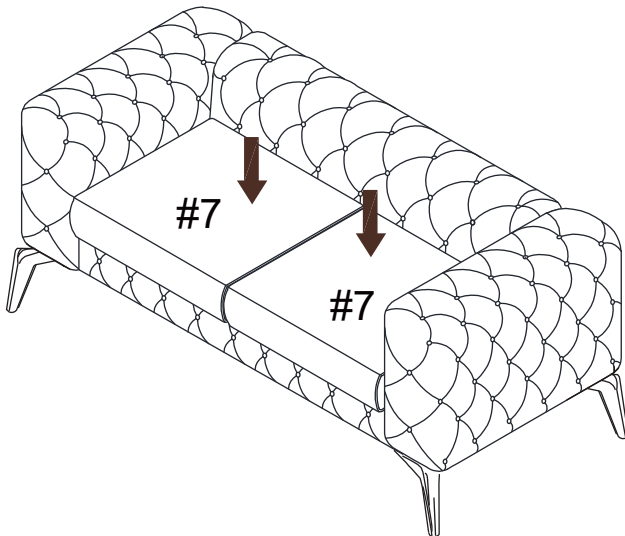
STEP5:



STEP6:

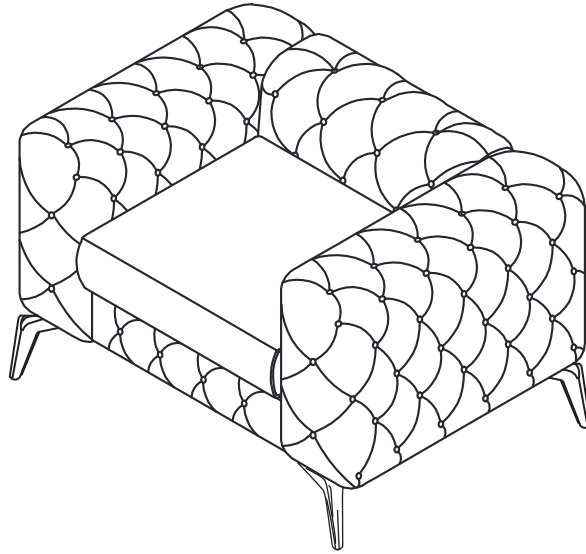


STEP7:



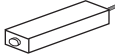
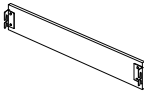

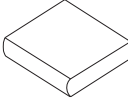

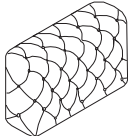


ASSEMBLY INSTRUCTIONS

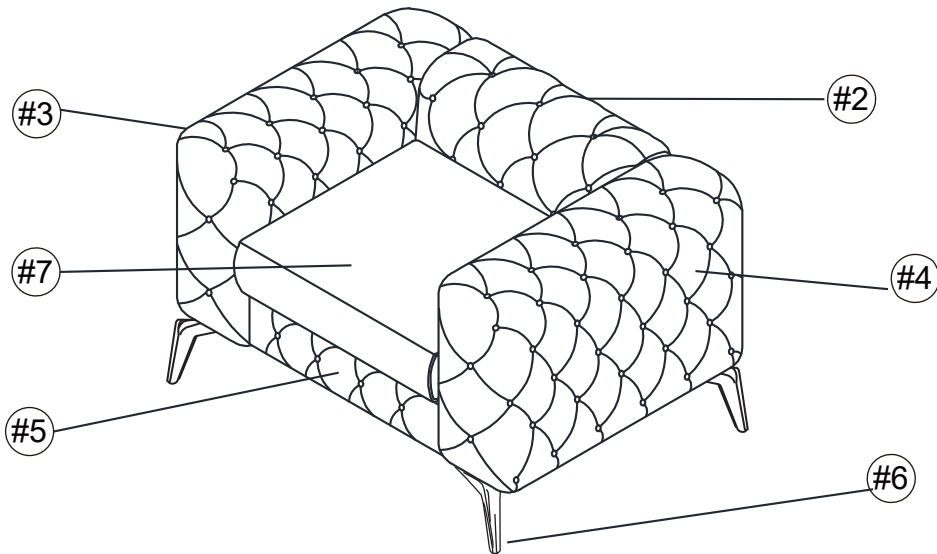
SINGLE SOFA



SINGLE SOFA is packed in 3 cases

Carton	Disignation	Part	Hardware
1/3	Backrest	#2 	(A) (B) (C) (D)
	Leg	#6 	
	Support leg	#8 	
	Former board	#5 	
2/3	Riser plate	#1 	
	Cushion	#7 	
3/3	Left arm	#3 	
	Right arm	#4 	

ASSEMBLY INSTRUCTIONS



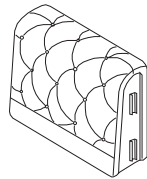
PARTS

#1 1pc



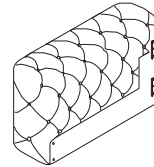
RISER PLATE

#2 1pc



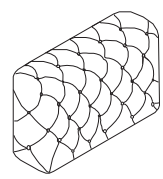
BACKREST

#3 1pc



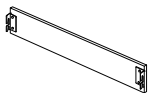
LEFT ARM

#4 1pc



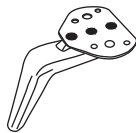
RIGHT ARM

#5 1pc



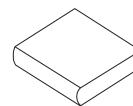
FORMER BOARD

#6 4pcs



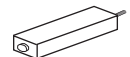
LEG

#7 1pc



CUSHION

#8 2pcs



SUPPORT LEG

HARDWARE

#A 12 pcs



BOLT 1 -1/2" L

#B 1 pc



ALLEN KEY 4mm L

#C 12 pcs



FLAT WASHER 16mm

#D 12 pcs

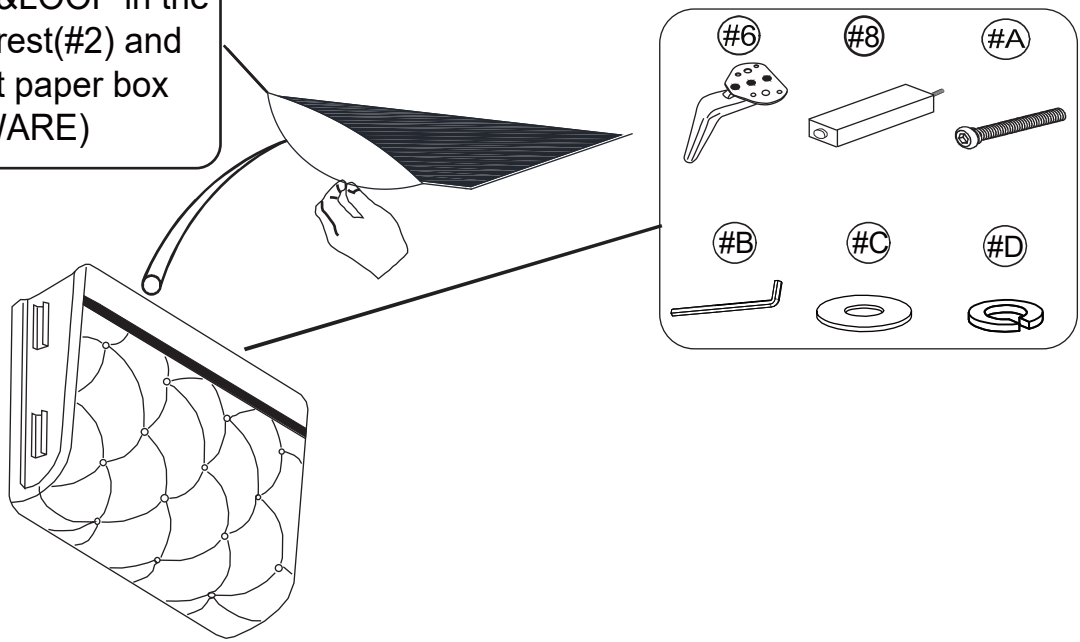


SPRING WASHER

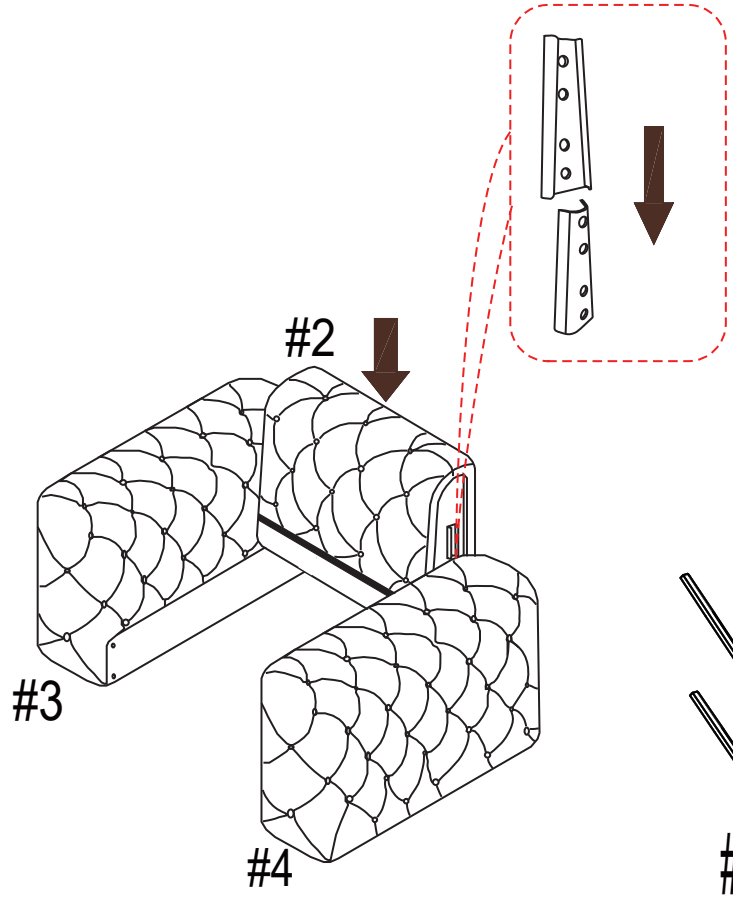
ASSEMBLY INSTRUCTIONS

STEP1:

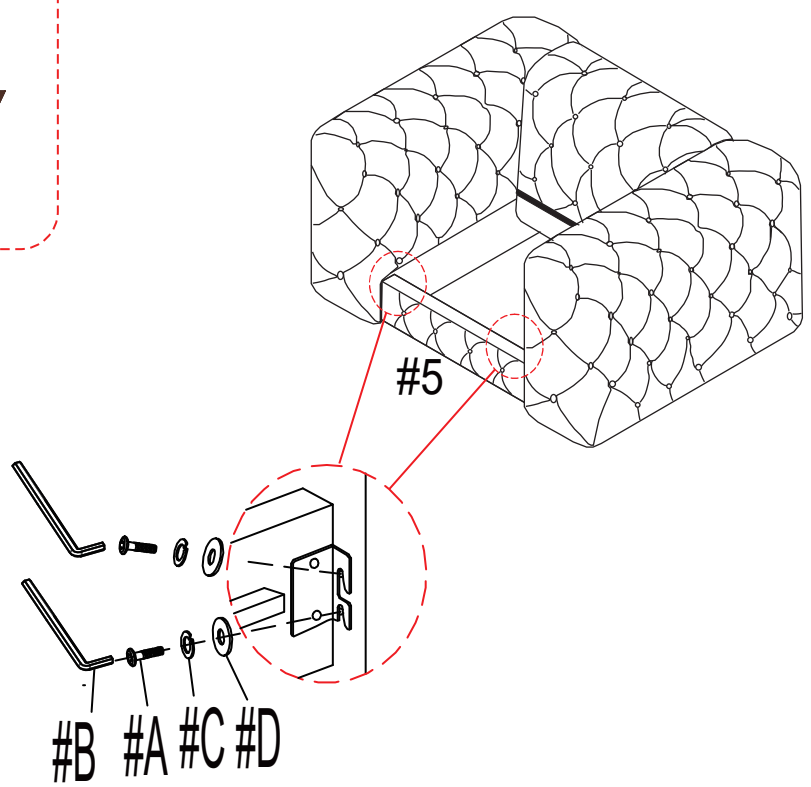
Pull the HOOK&LOOP in the bottom of backrest(#2) and open it, take out paper box (#6,#8,HARDWARE)



STEP2:

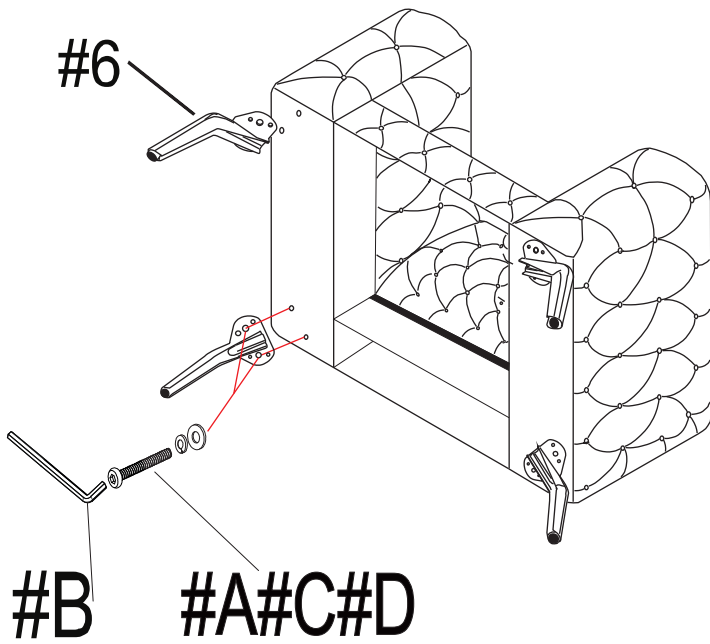


STEP3:

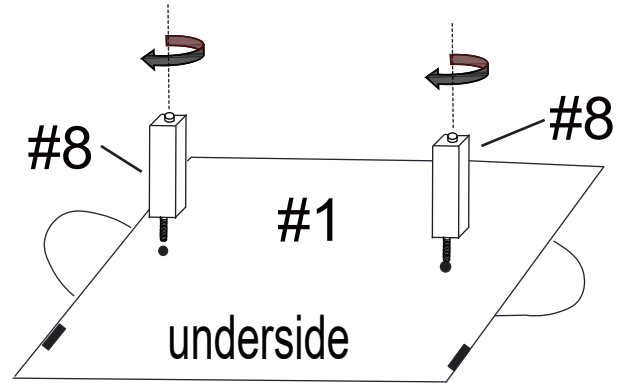


ASSEMBLY INSTRUCTIONS

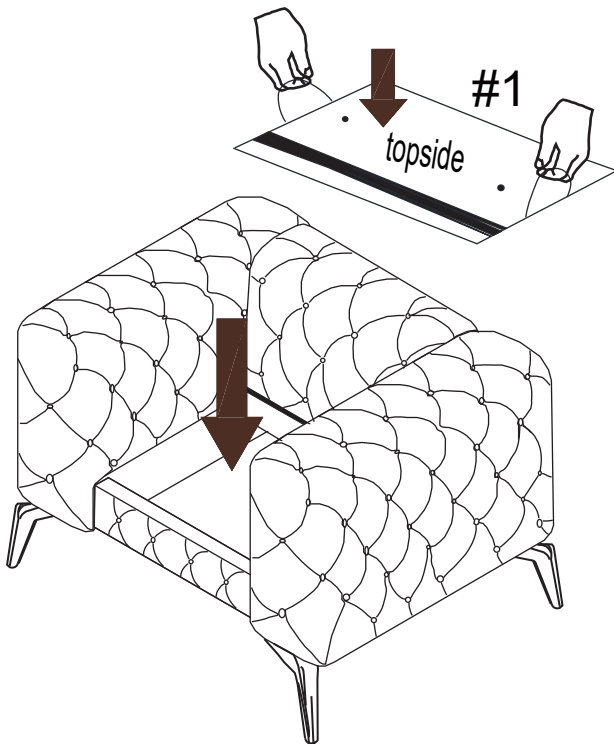
STEP4:



STEP5:



STEP6:



STEP7:

