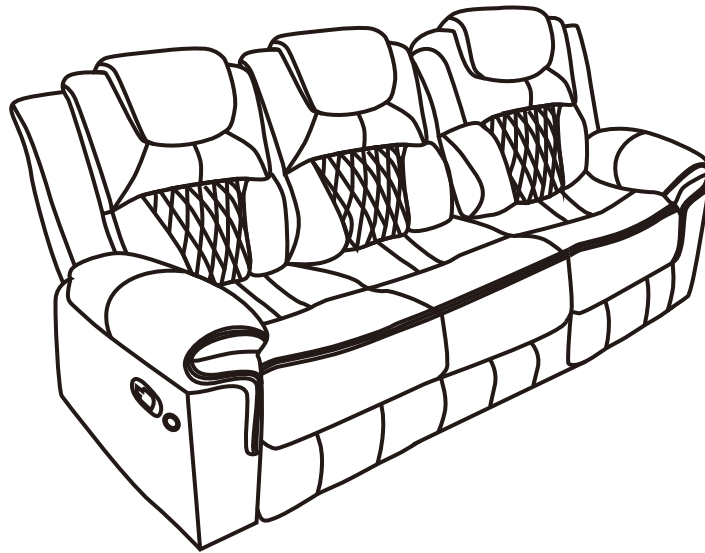
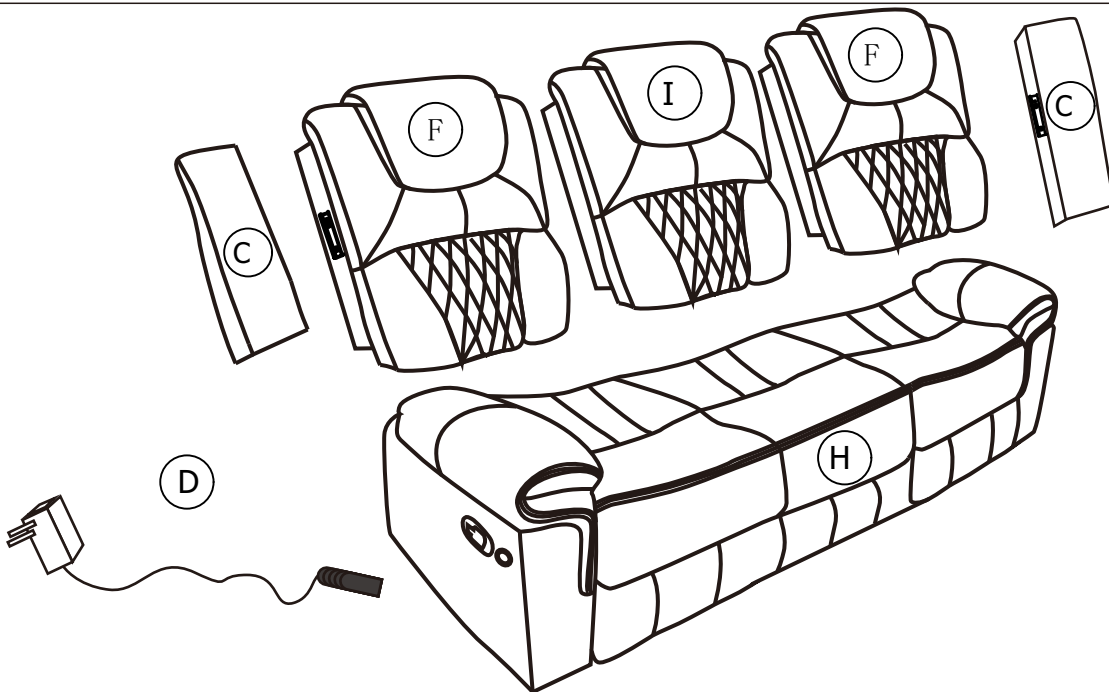


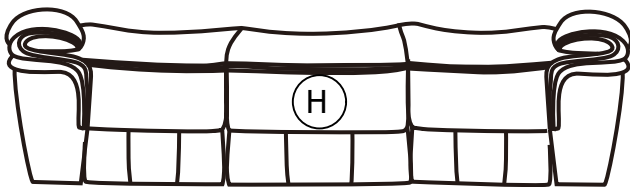
# ASSEMBLY INSTRUCTION



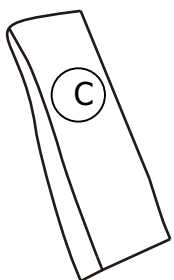
## PARTS



## PARTS LIST



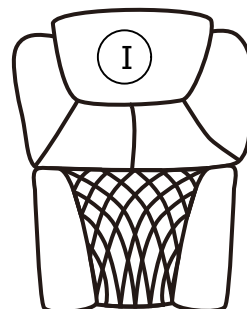
Sofa X 1 PC



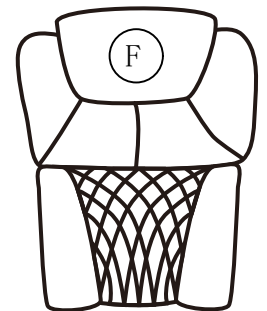
Ear X 2 PCS



Power adapter X 1 PC

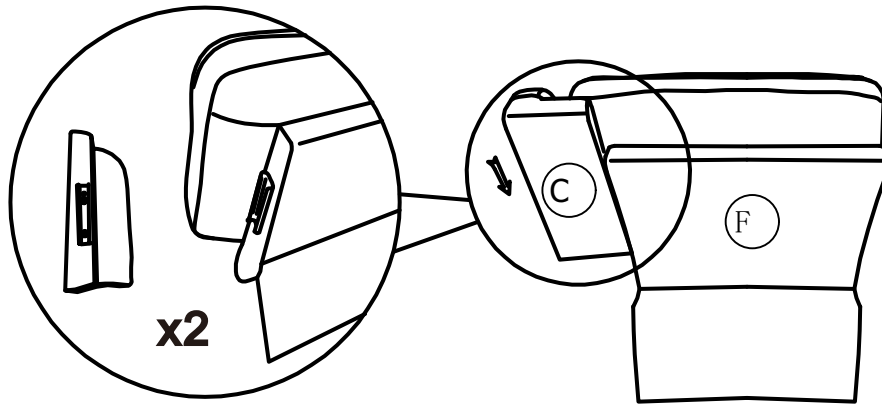


Backrest with drop down table X 1 PC

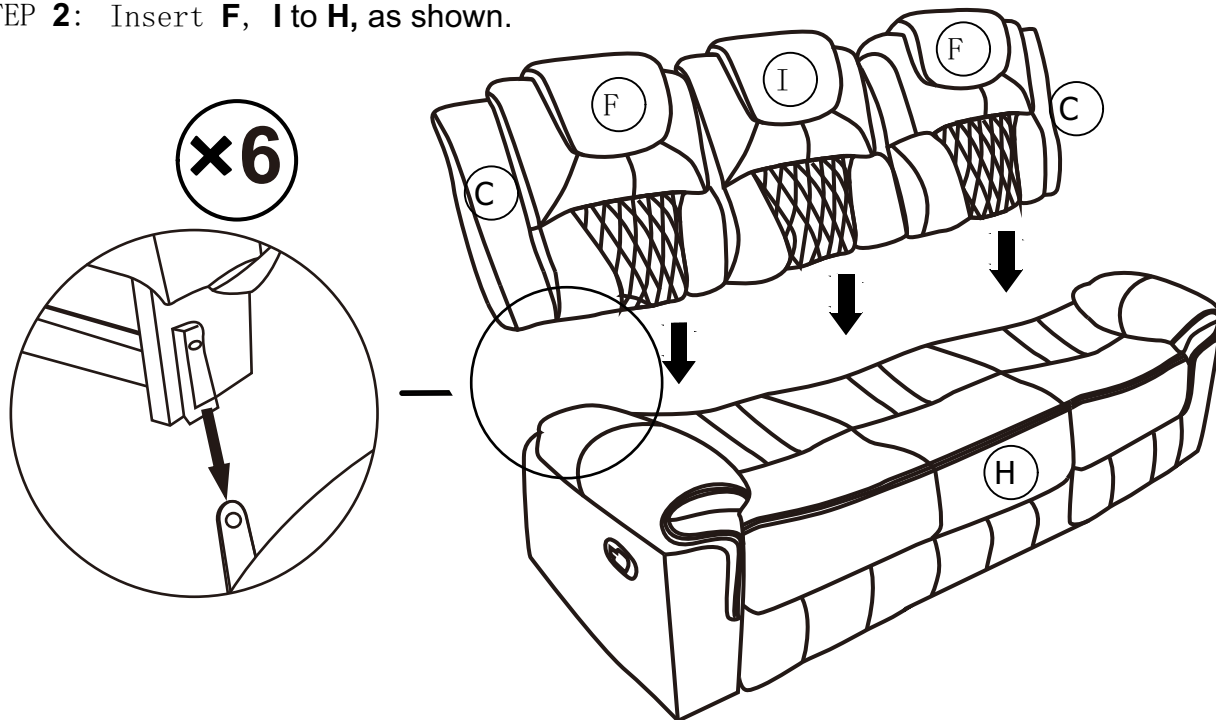


Backrest X 2 PC

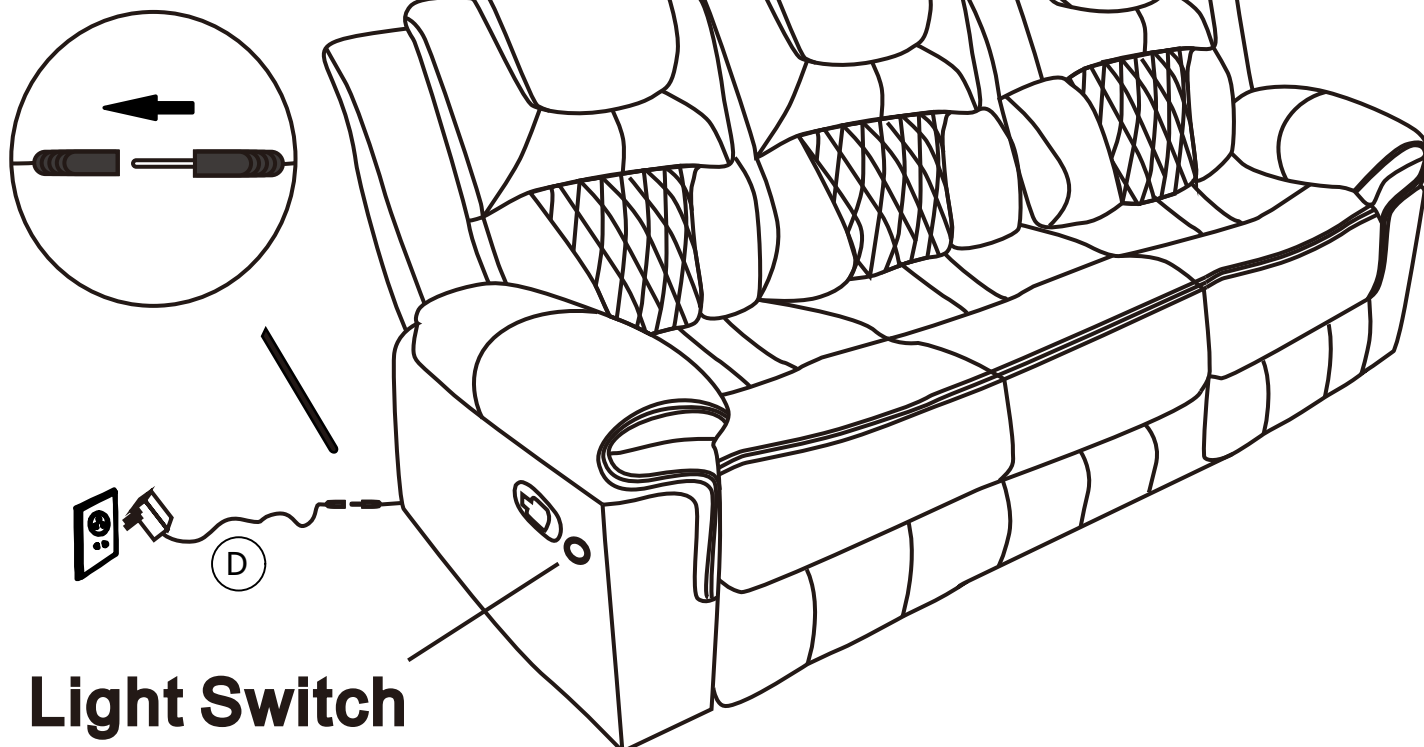
STEP 1: Insert **C** to **F**, as shown.



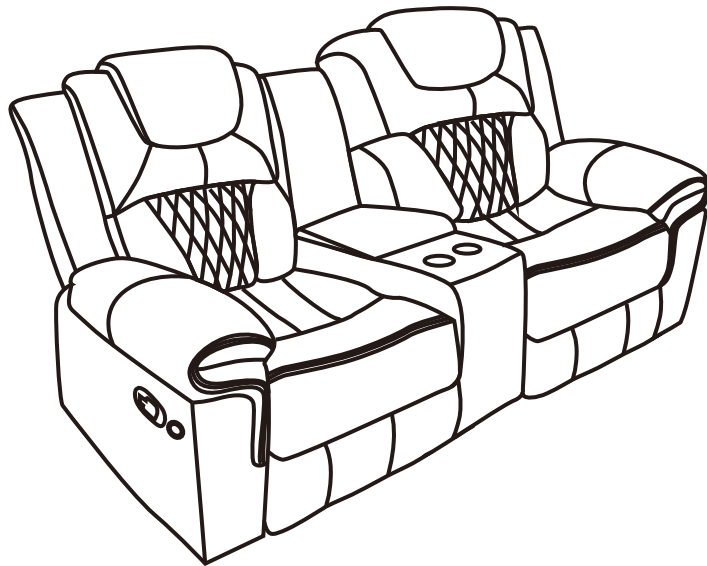
STEP 2: Insert **F**, **I** to **H**, as shown.



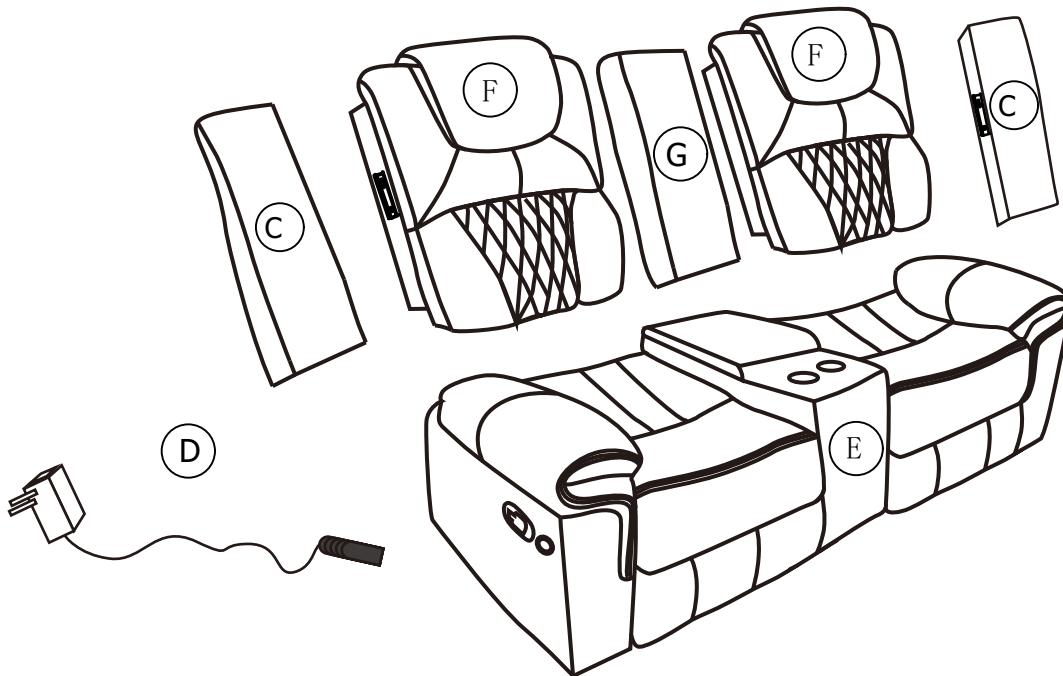
STEP 3: Insert **D** to **Sofa**, as shown.  
The switch controls the light under the seat.



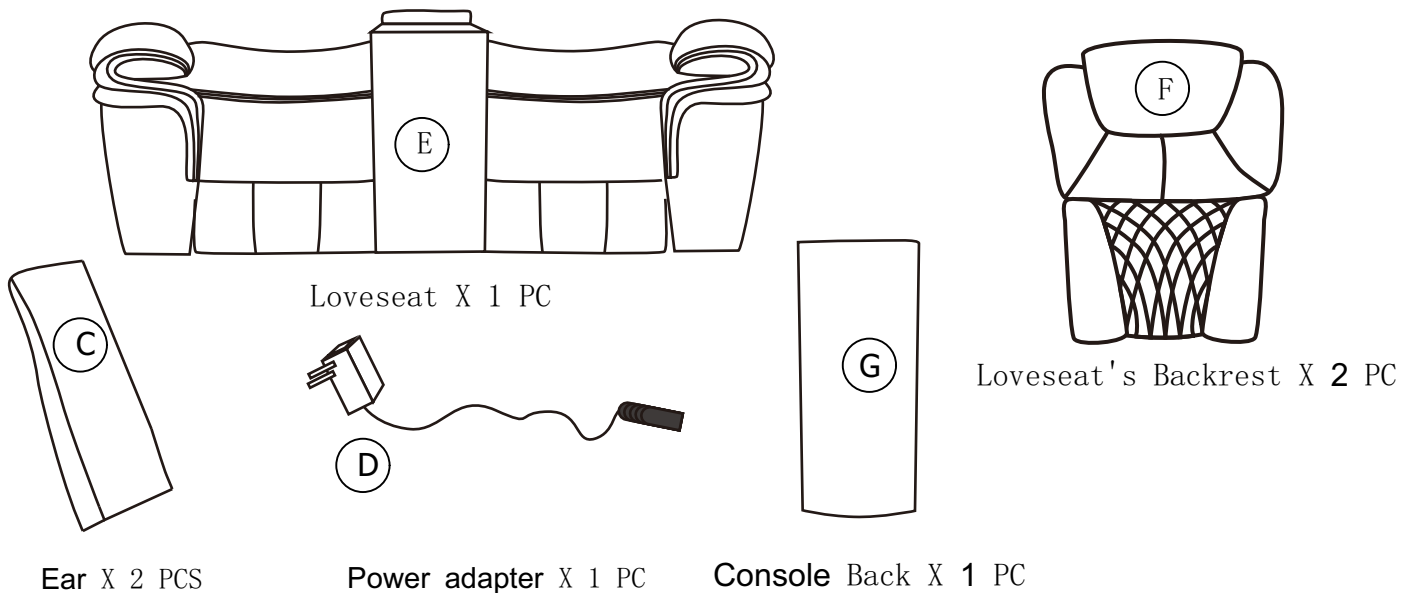
# ASSEMBLY INSTRUCTION



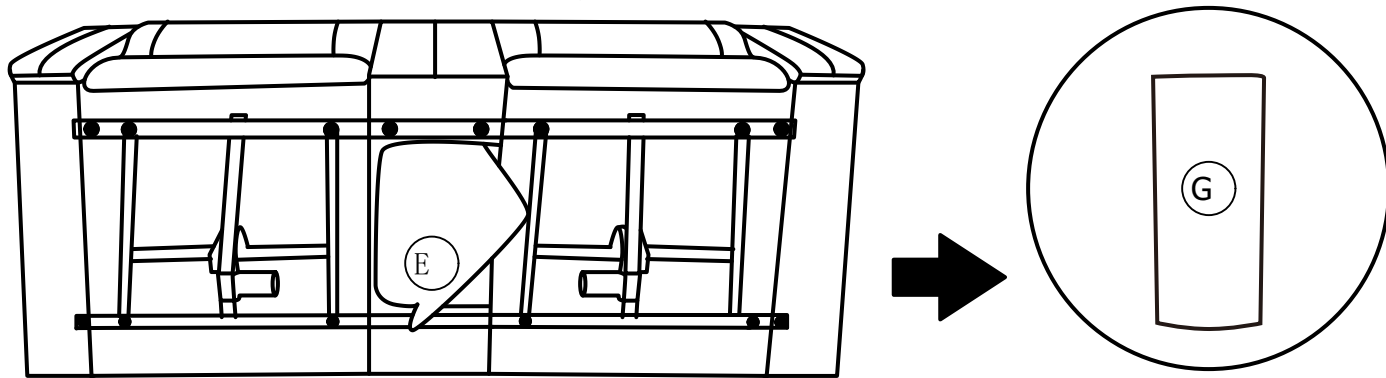
## PARTS



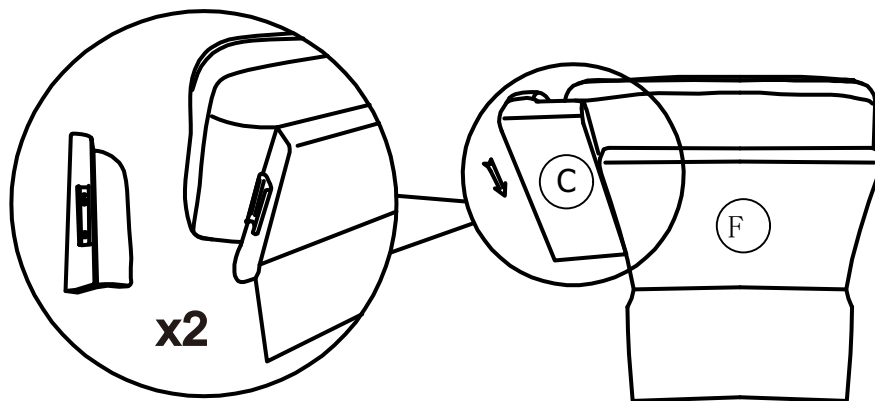
## PARTS LIST



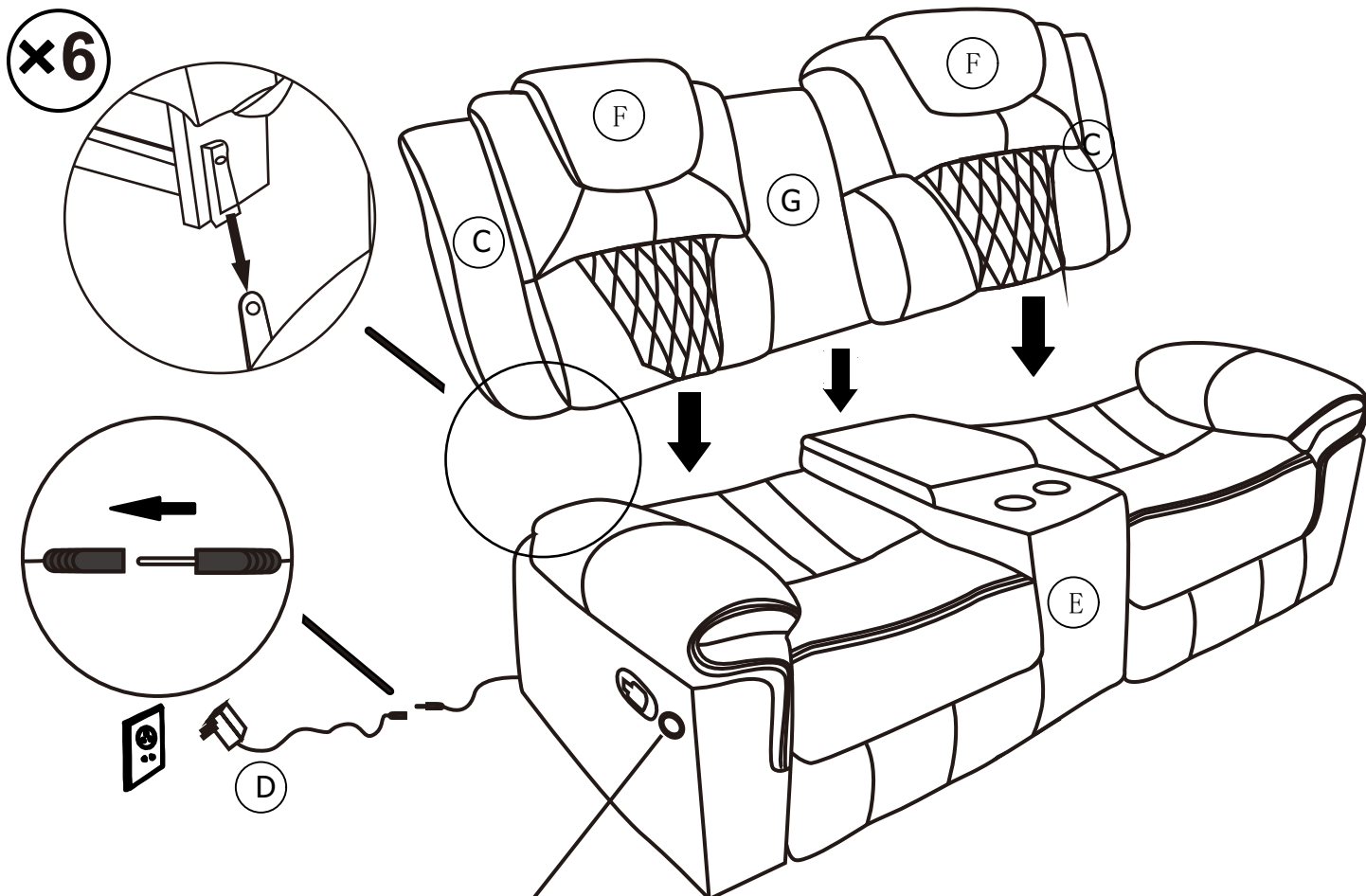
STEP 1: Take **G** out of the bottom of **E**, as shown.



STEP 2: Insert **C** to **F**, as shown.

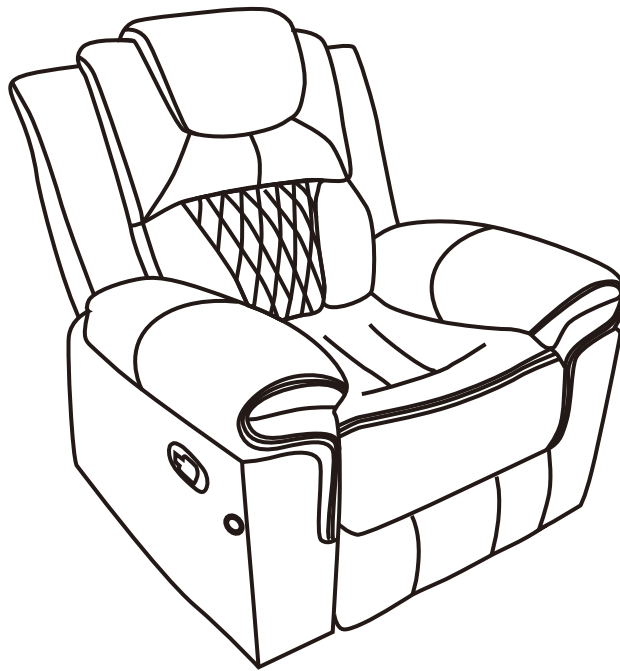


STEP 3: Insert **F**, **G** to **E**, as shown.  
Insert **D** to **Sofa**, as shown.  
The switch controls the light under the seat.

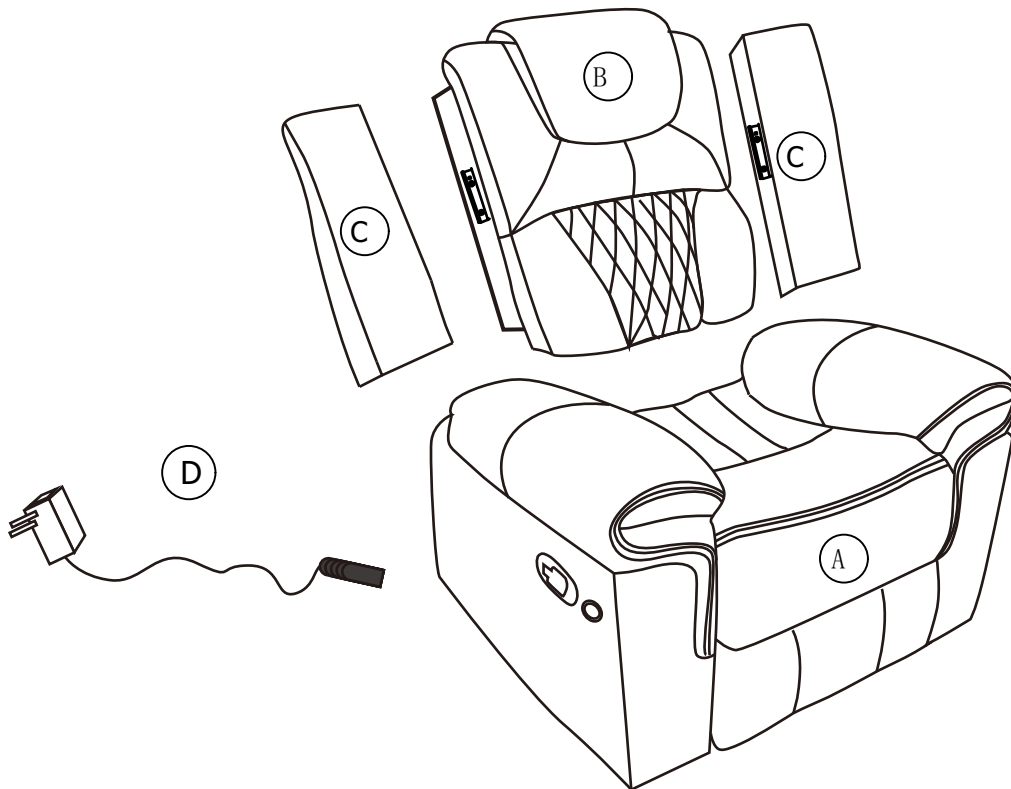


**Light Switch**

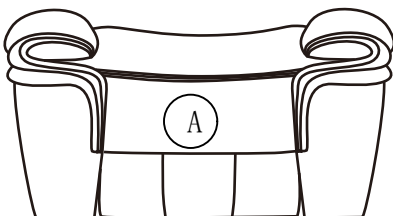
# ASSEMBLY INSTRUCTION



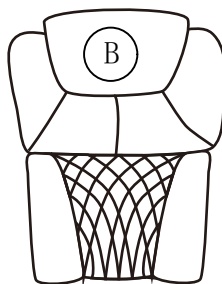
## PARTS



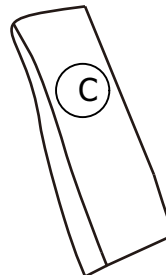
## PARTS LIST



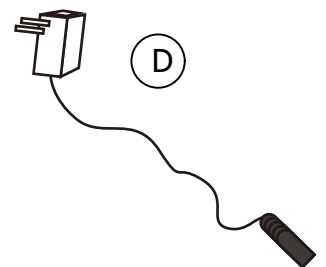
Seat X 1 PC



Backrest X 1 PC



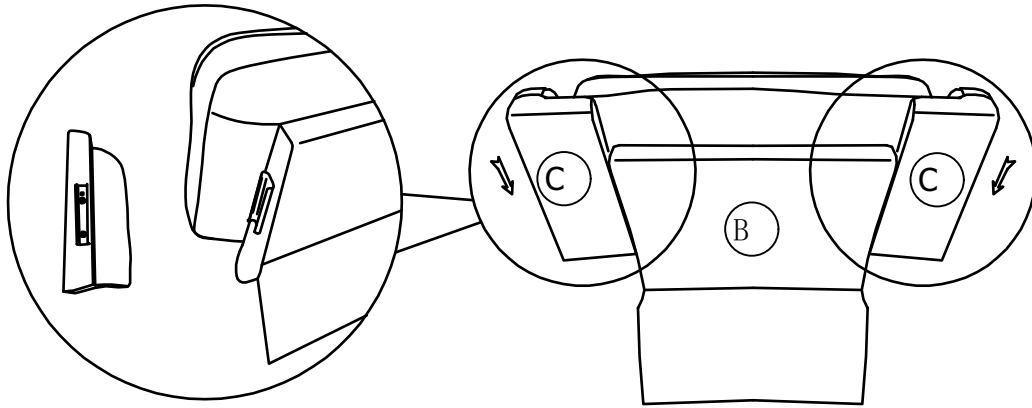
Ear X 2 PCS



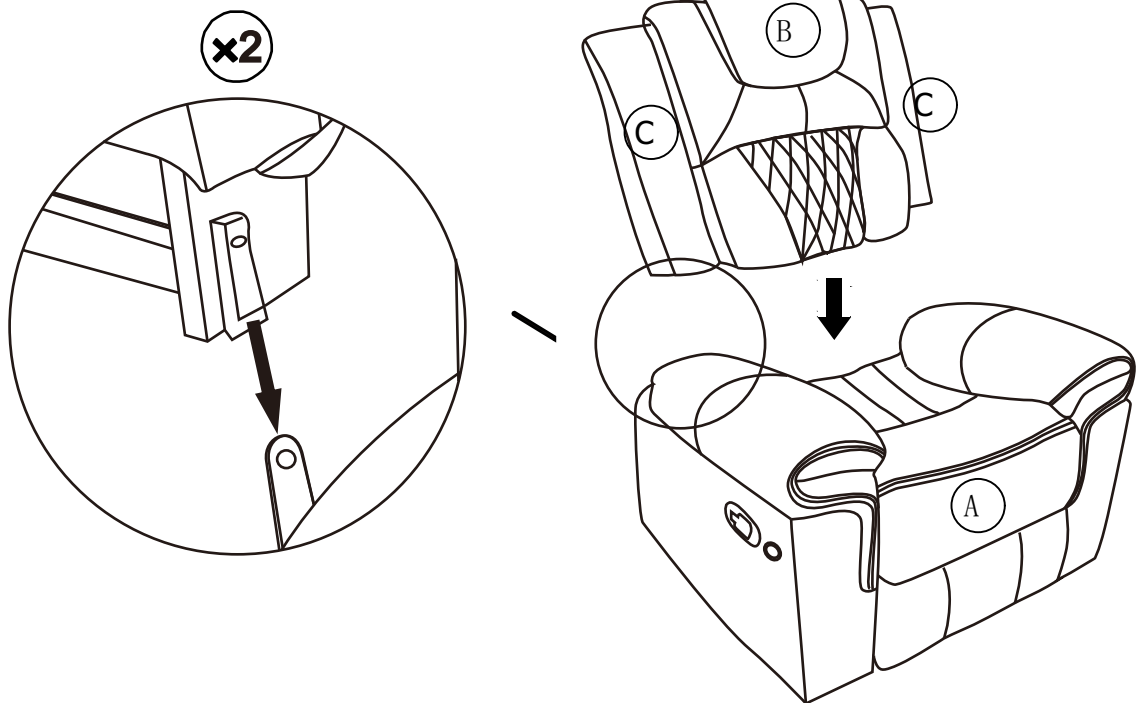
Power adapter X 1 PC

# ASSEMBLY INSTRUCTION

STEP 1: Insert **C** to **B**, as shown.



STEP 2: Insert **B** to **A**, as shown.



STEP 3: Insert **D** to **Sofa**, as shown.  
The switch controls the light under the seat.

