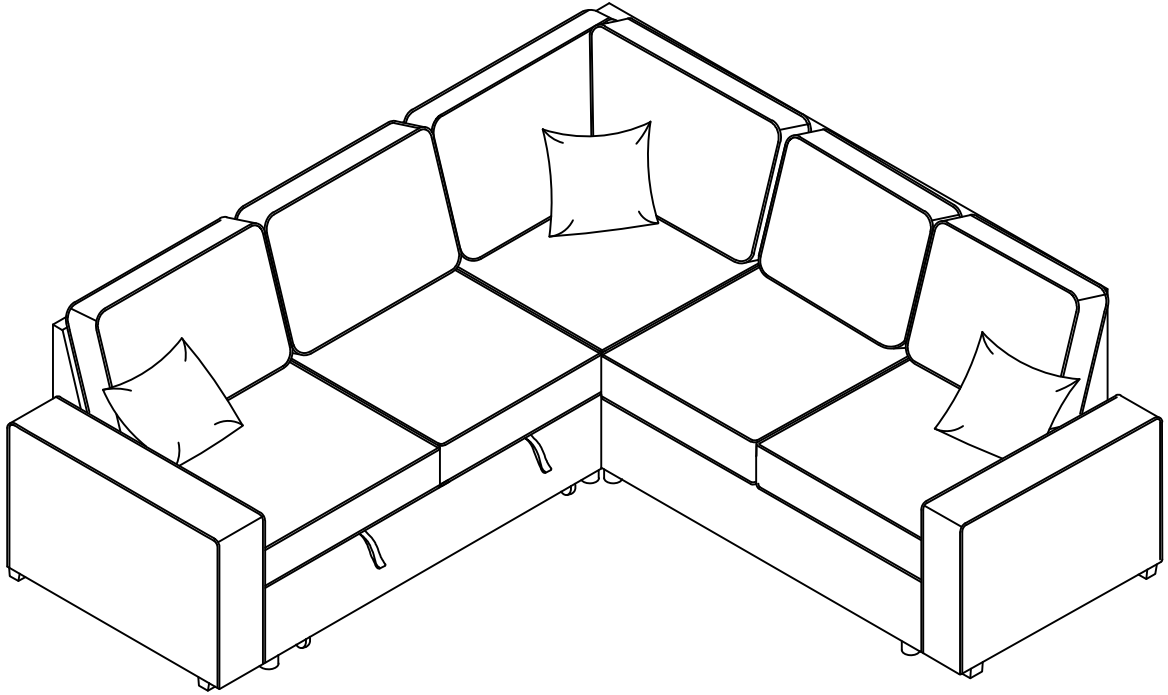
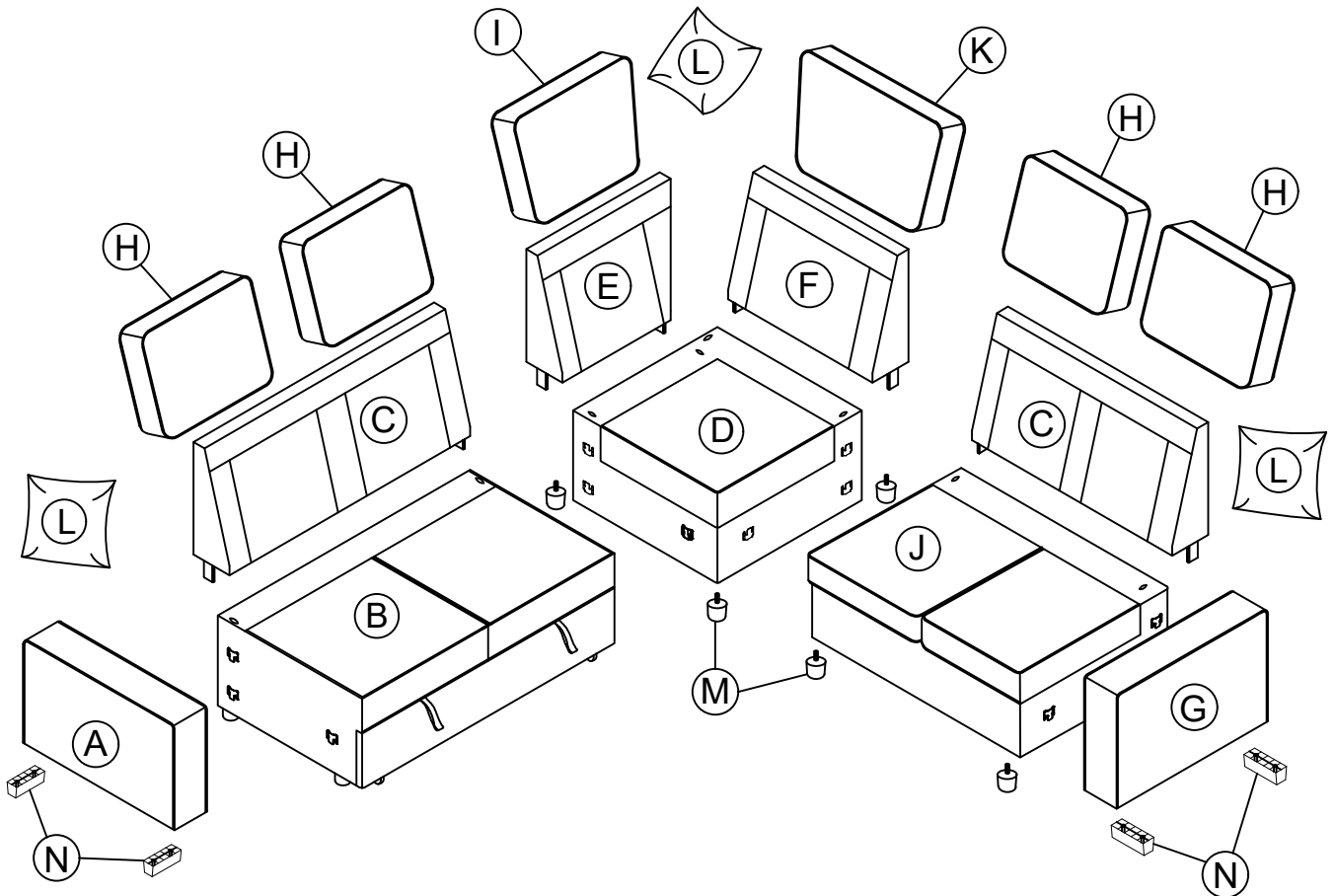


ASSEMBLY INSTRUCTION

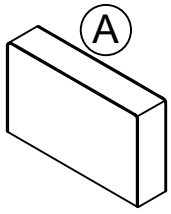
ITEM NO.: WF309498-AWF309499-WF309500-WF309501



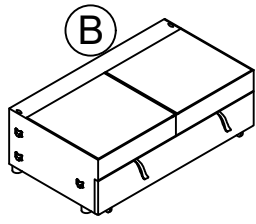
PARTS



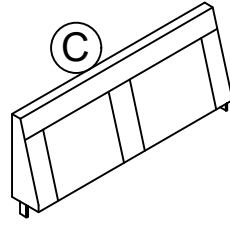
PARTS LIST



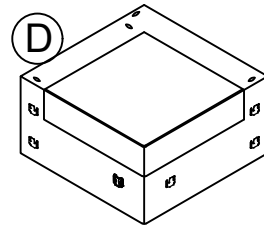
Left Arm X 1PC



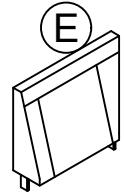
Loveseat Body X 1PC



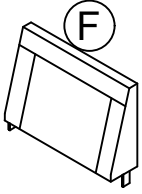
Loveseat Back Frame X 2PCS



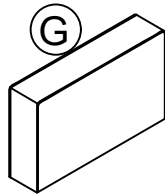
Corner Frame X 1PC



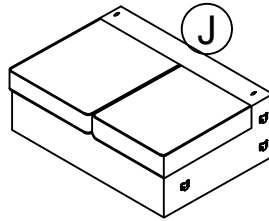
Short Back Frame X 1PC



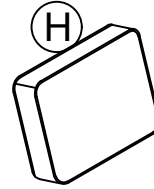
Long Back Frame X 1PC



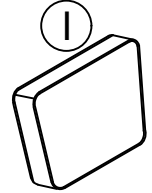
Right Arm X 1PC



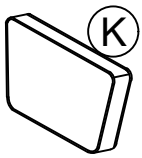
Ottoman X 1PC



Back Cushion X 4PCS



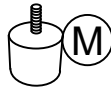
Back Cushion X 1PC



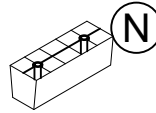
Back Cushion X 1PC



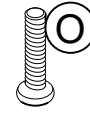
Pillow X 3PCS



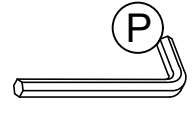
Round Leg X 8PCS



Square Leg X 4PCS



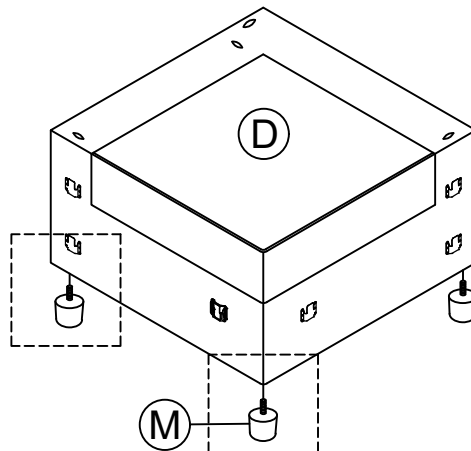
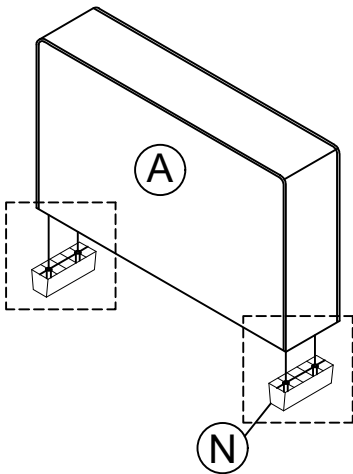
Bolt 1/4\"X45mm X 8PCS



Allen key 1PC

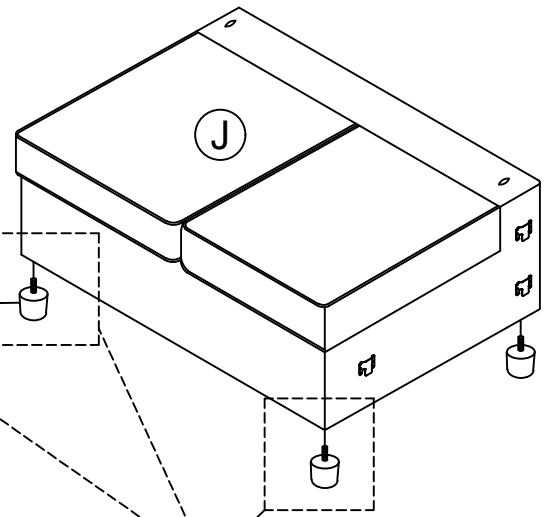
STEP 1:

1.1 Attach M x4 to D x1.



STEP 2:

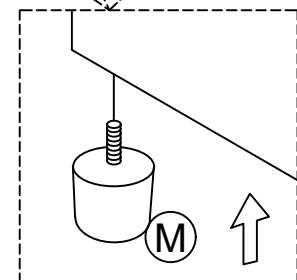
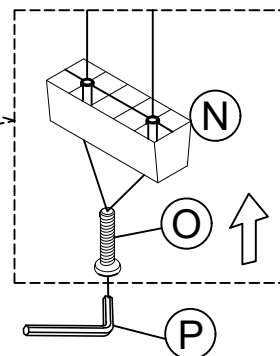
2.1 Attach M x4 to J x1.



STEP 3:

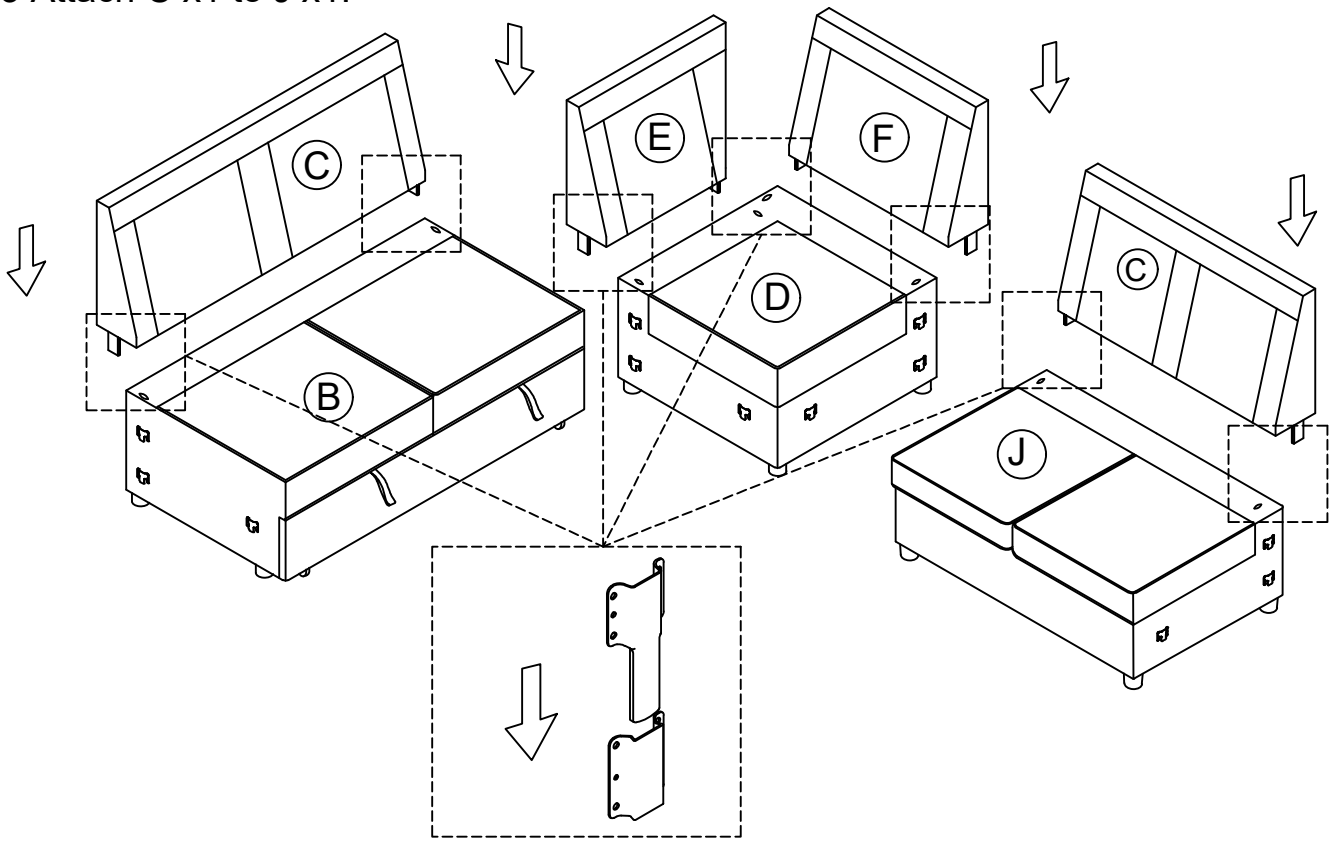
3.1 Attach N x2 to A x1 with O x4.

3.2 Attach N x2 to G x1 with O x4.



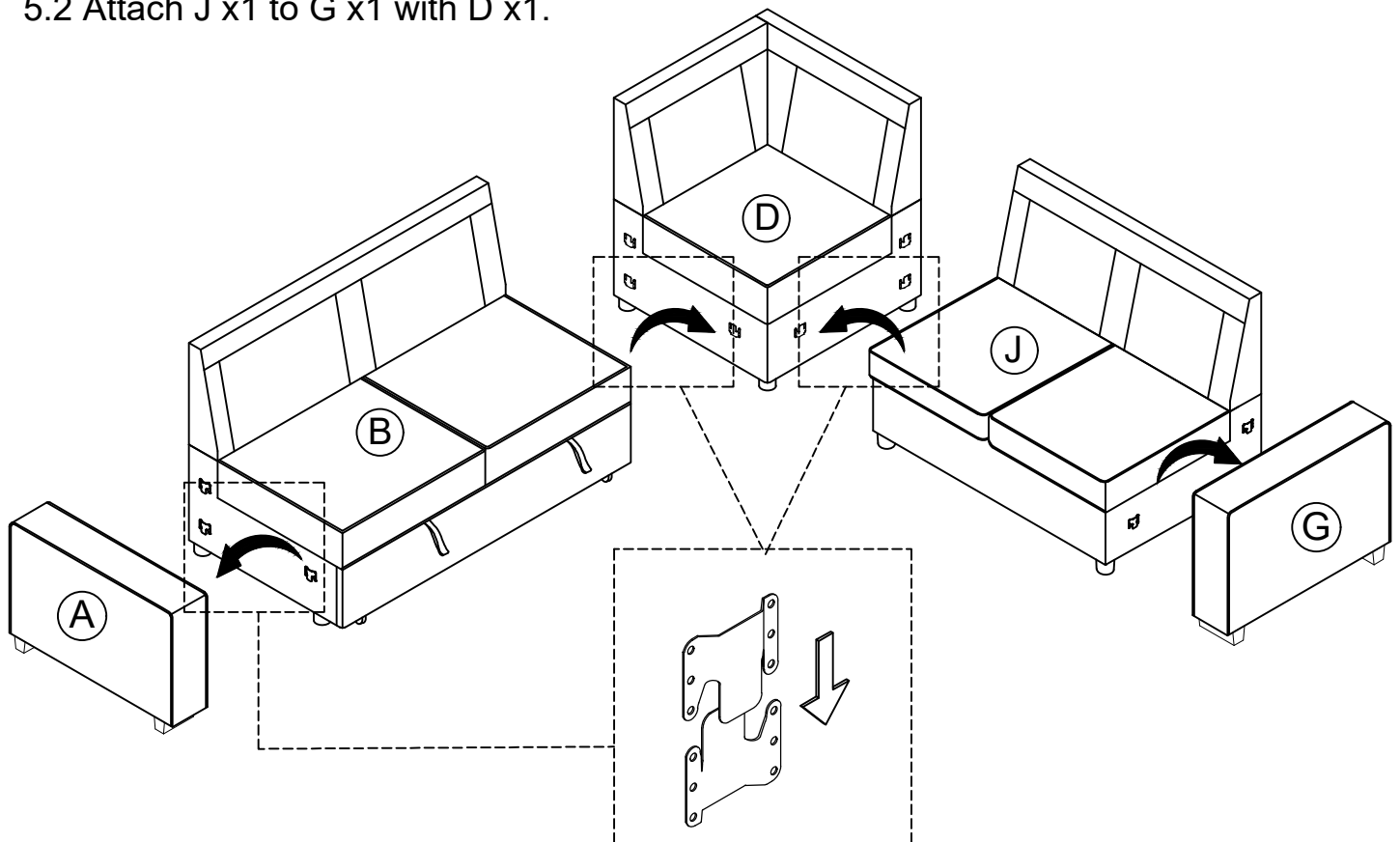
STEP 4:

- 4.1 Attach C x1 to B x1.
- 4.2 Attach E x1 & F x1 to D x1.
- 4.3 Attach C x1 to J x1.



STEP 5:

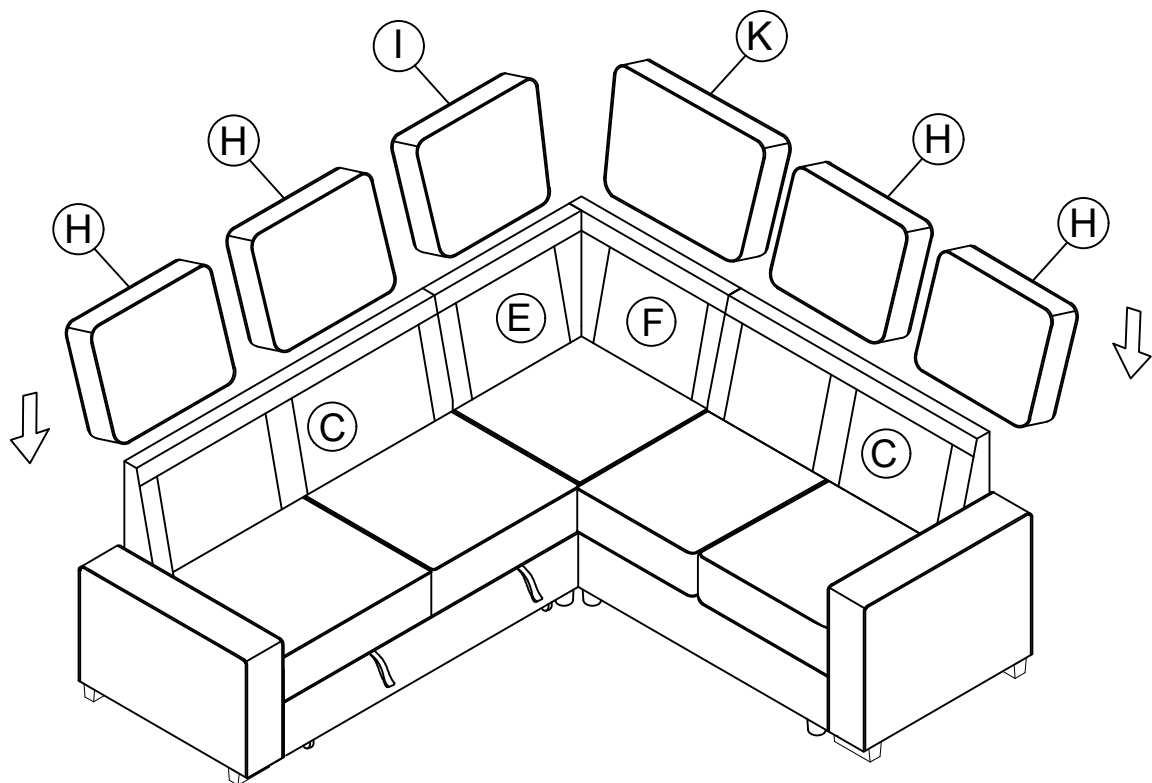
- 5.1 Attach B x1 to A x1 with D x1.
- 5.2 Attach J x1 to G x1 with D x1.



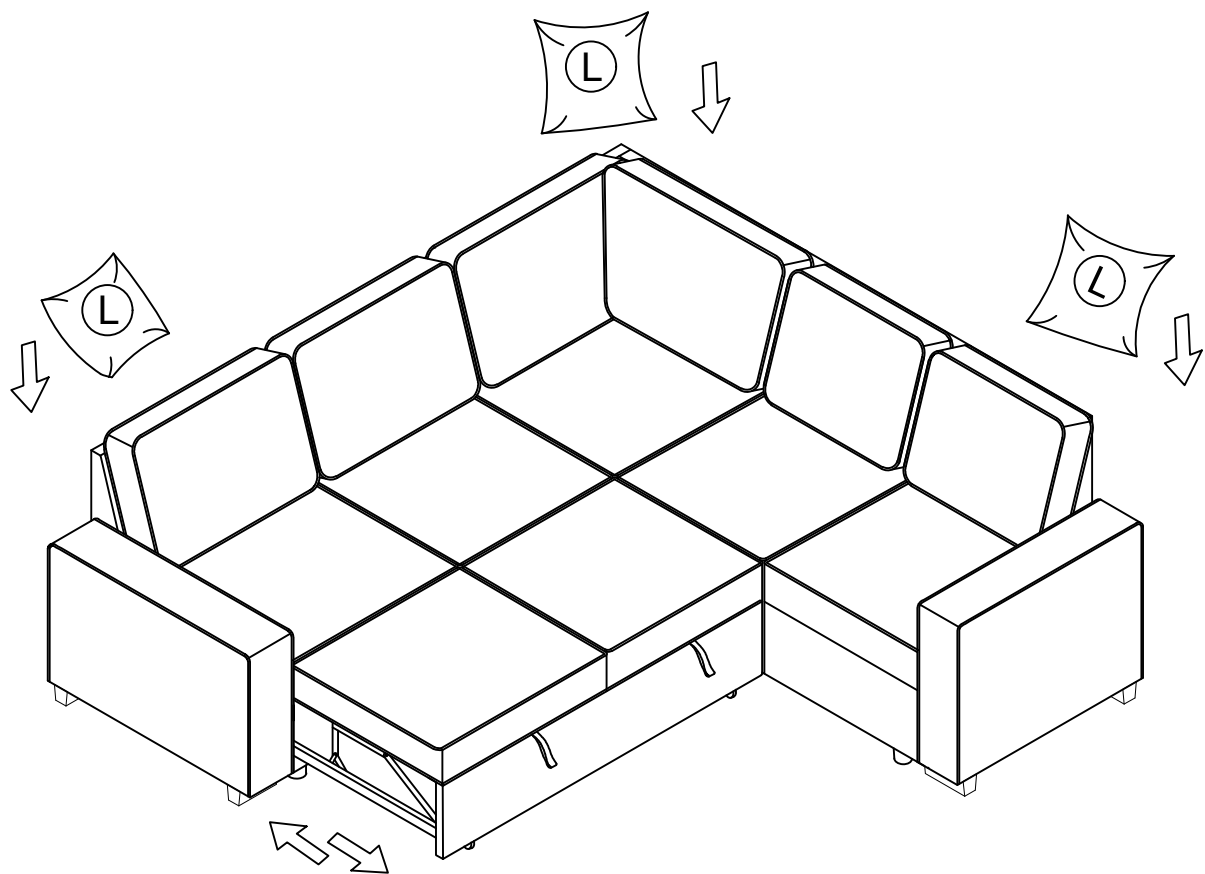
STEP 6:

6.1 Attach H x4 to C x2 .

6.2 Attach I x1 to E & K with F.

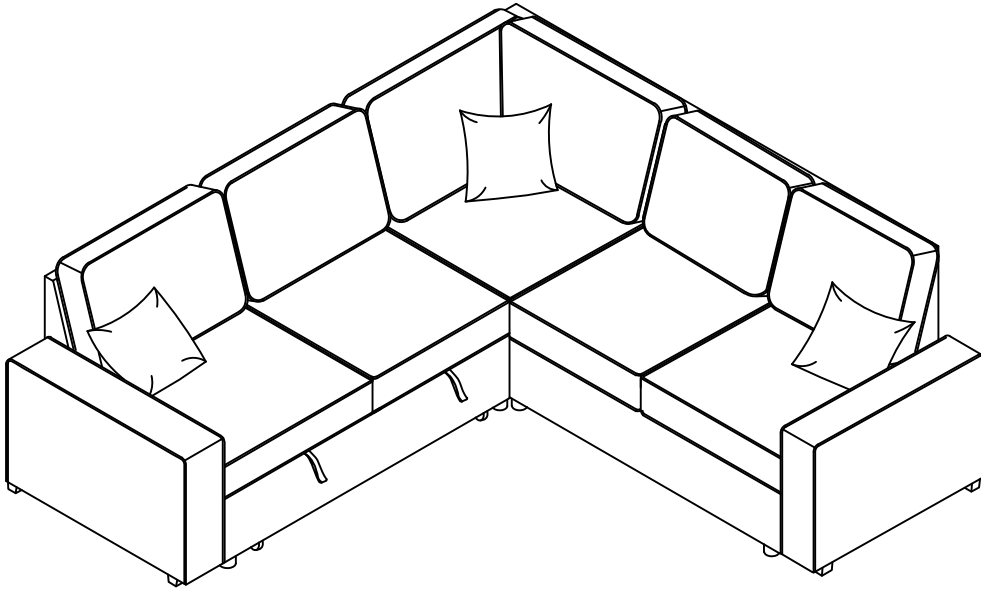


STEP 7:



Helpful Hints

- Sectional sofa can transform into a sleeper
- Move your new furniture carefully, with two people lifting and carrying the unit to its new location.
- Your furniture can be disassembled and reassembled to move.
- Clean the product with a soft damp cloth. DO NOT use harsh chemicals or abrasive cleaners.



COMPLETE

