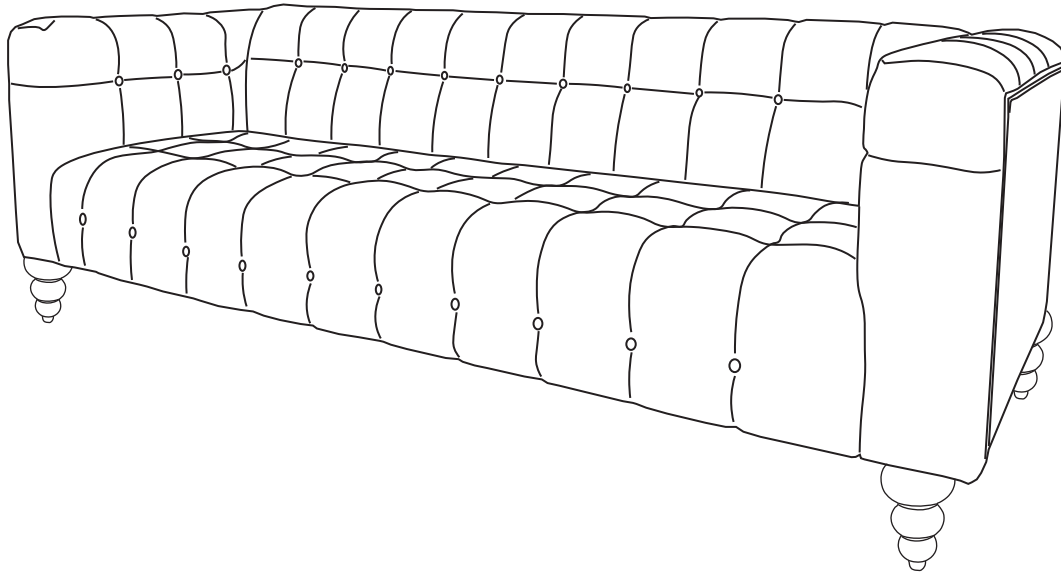


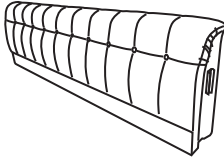
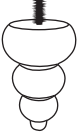
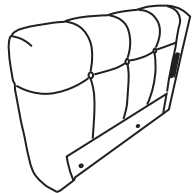



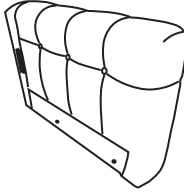
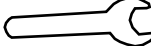
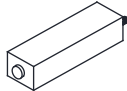
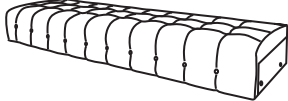
ASSEMBLY INSTRUCTIONS

WF306136/137

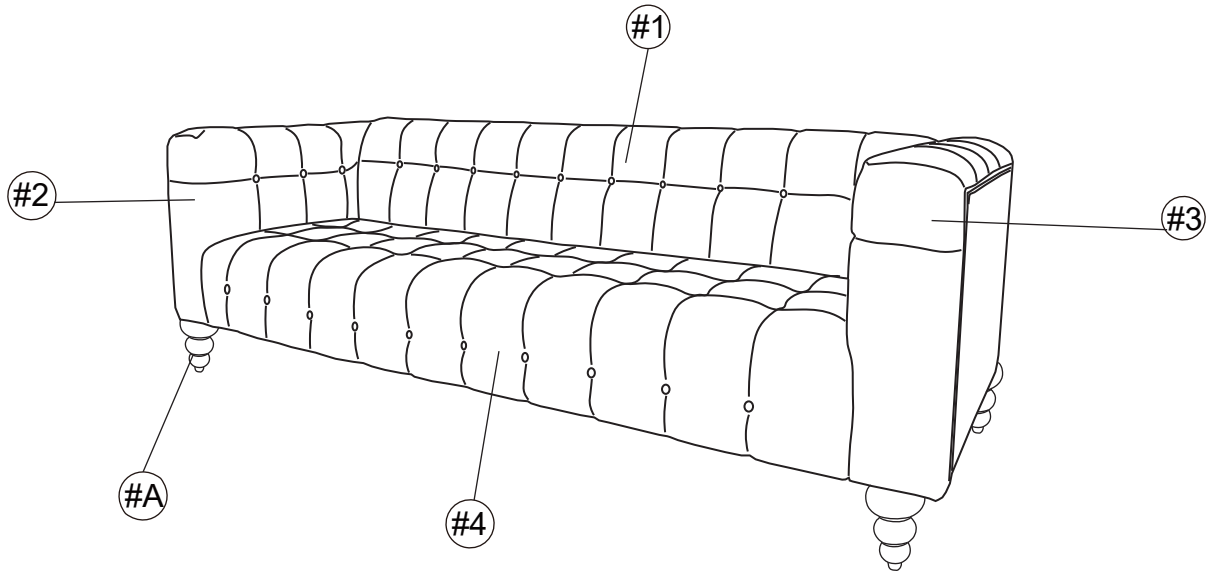
3 SEATER SOFA



3 SEATER SOFA is packed in 2 cases

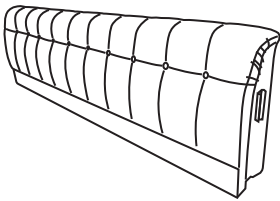
Carton	Disignation	Part	Hardware/Leg
1/2 WF306136	Backrest	#1 	 #A x 4pcs
	Left arm	#2 	 #B x 4pcs  #C x 4pcs  #D x 4pcs
	Right arm	#3 	 #E x 4pcs  #F x 1pc
2/2 WF306137	Seat	#4 	

ASSEMBLY INSTRUCTIONS



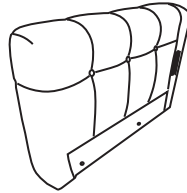
PARTS

#1 1pc



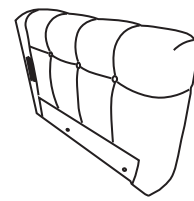
BACKREST

#2 1pc



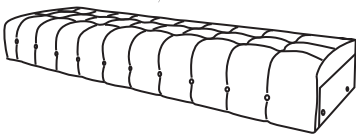
LEFT ARM

#3 1pc



RIGHT ARM

#4 1pc



SEAT

HARDWARE

#A 4 pcs



WOODEN LEG

#B 4 pcs



WHOLE TOOTH SCREW
90mm L

#C 4 pcs



NUT

#D 4 pcs



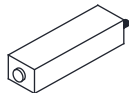
FLAT WASHER
22mm

#E 1 pc



WRENCH

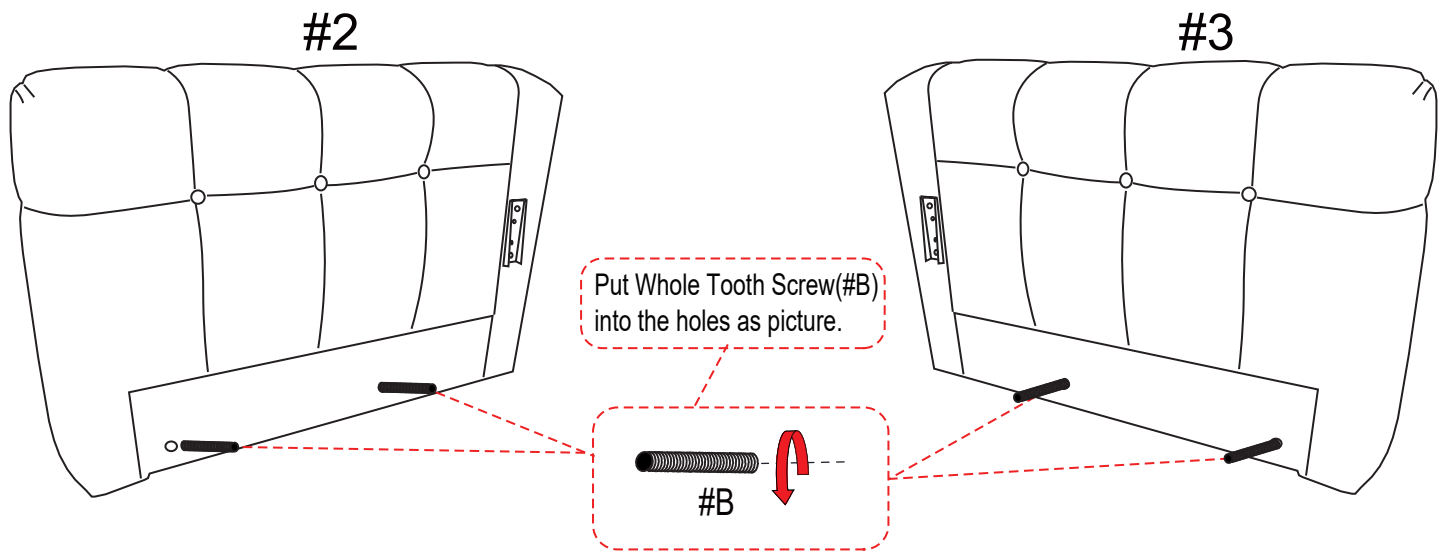
#F 1 pc



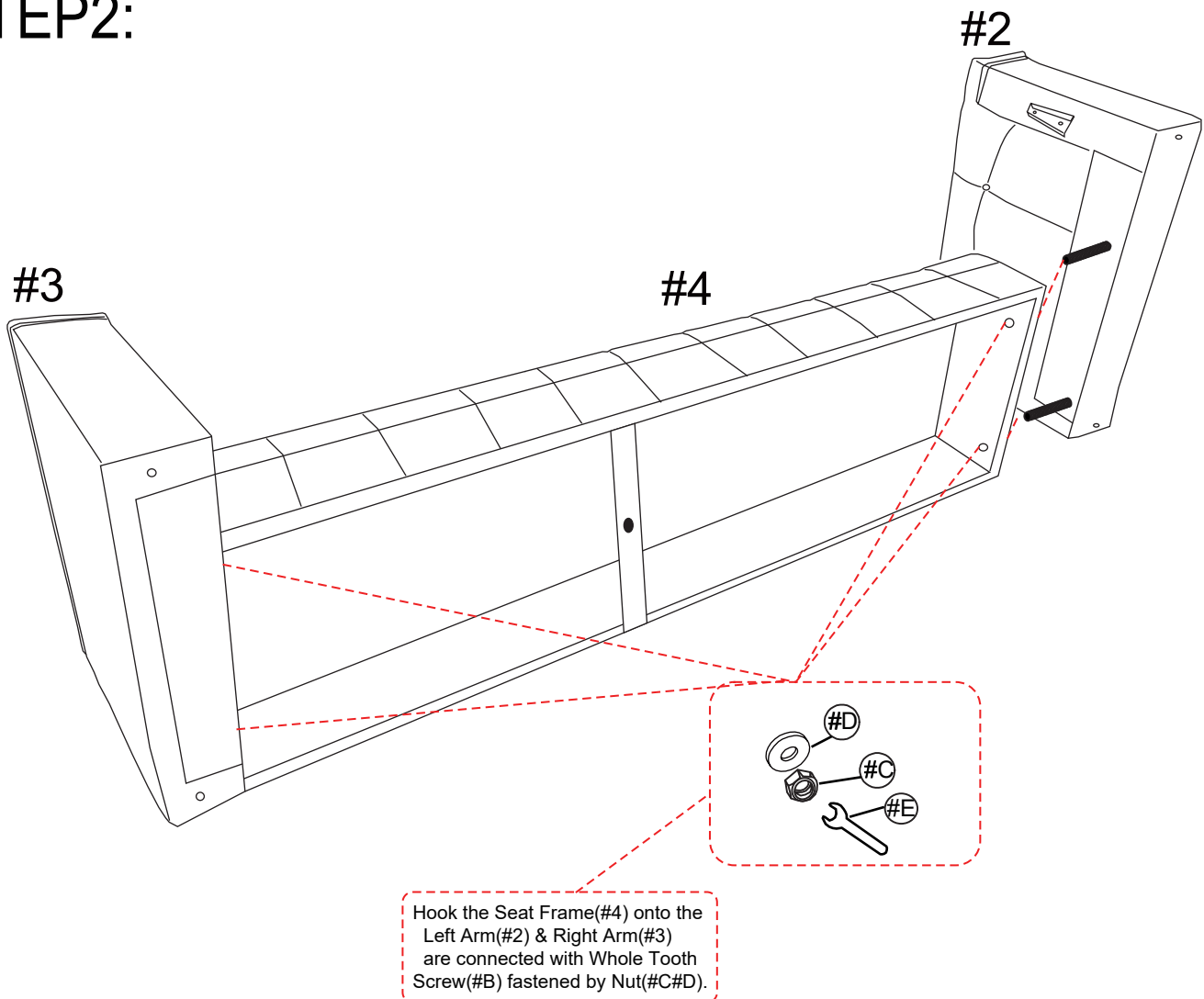
SUPPORT LEG
30*30*155mm

ASSEMBLY INSTRUCTIONS

STEP1:

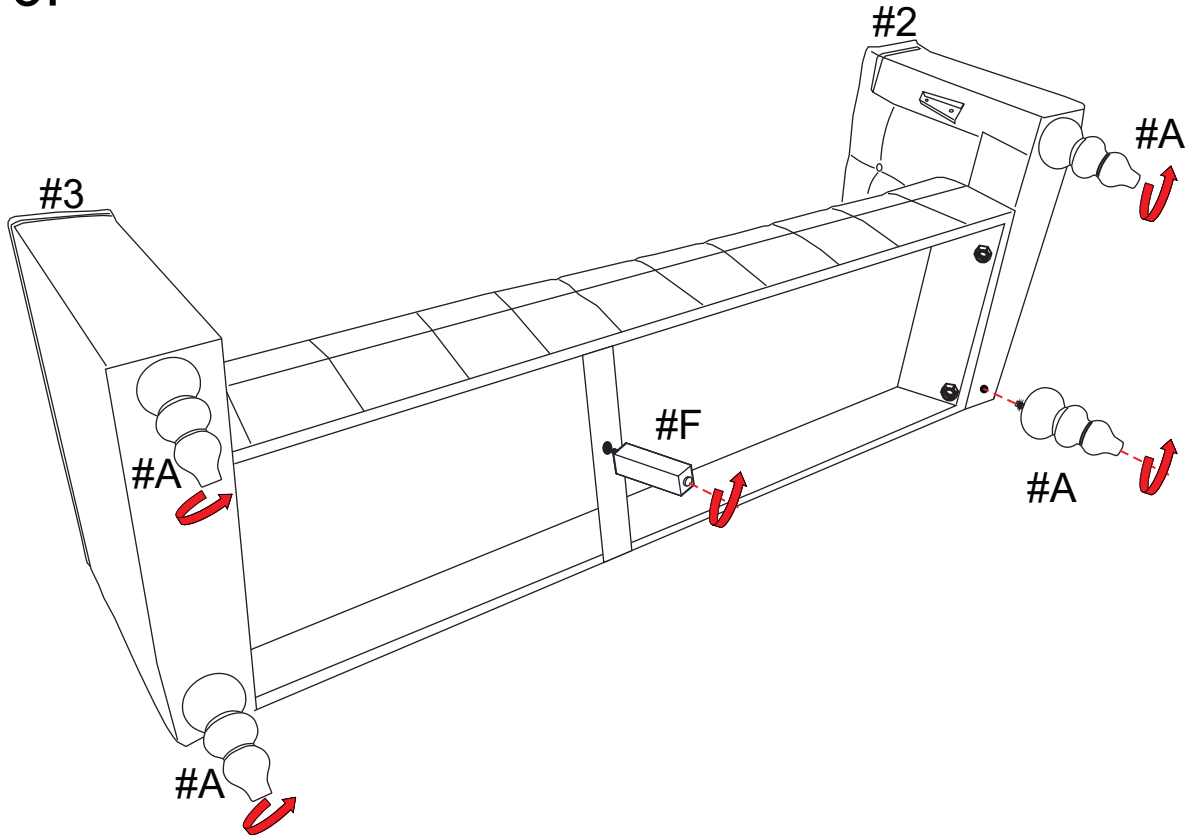


STEP2:

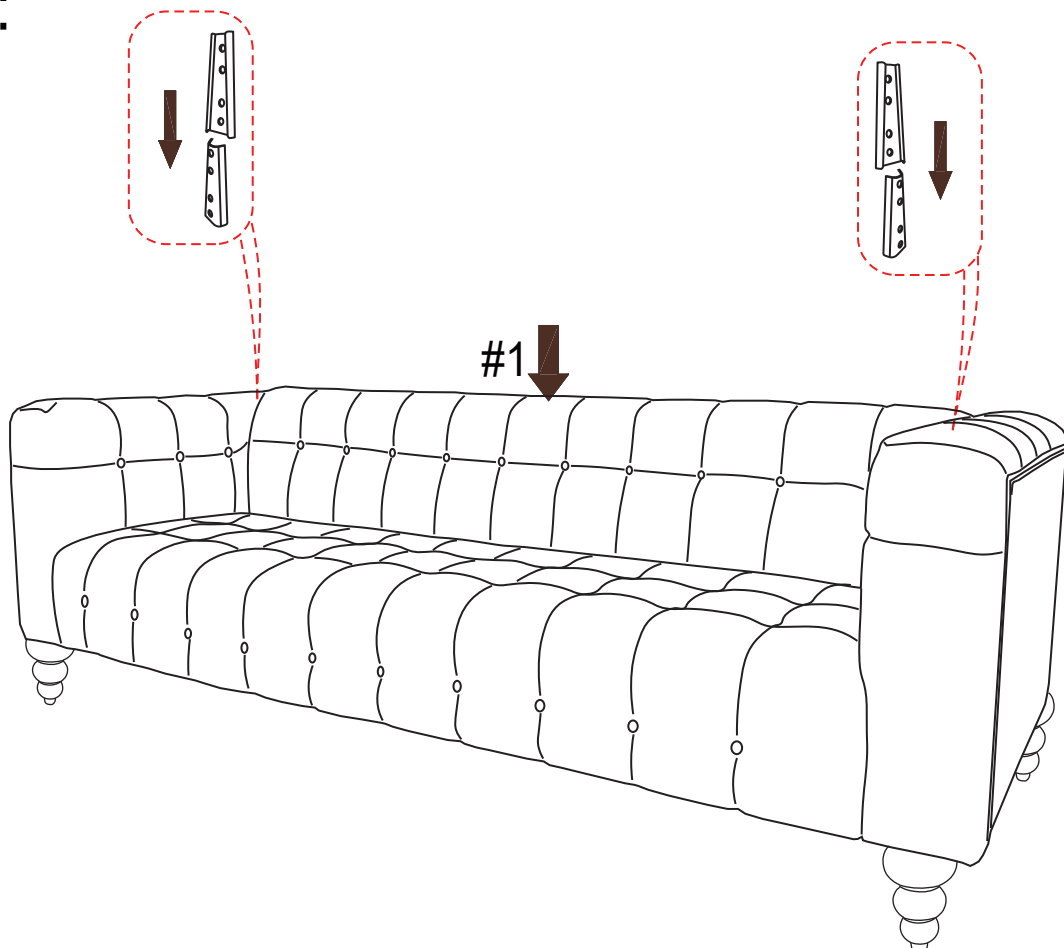


ASSEMBLY INSTRUCTIONS

STEP3:



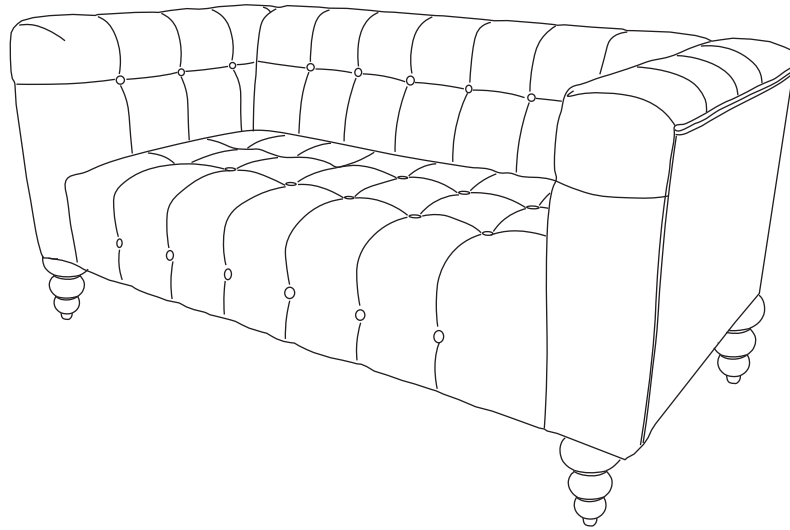
STEP4:



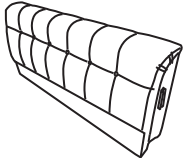

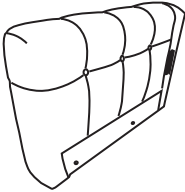


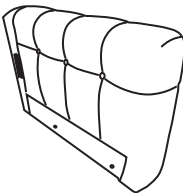

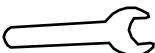
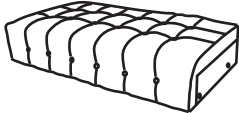
ASSEMBLY INSTRUCTIONS

WF306134/135

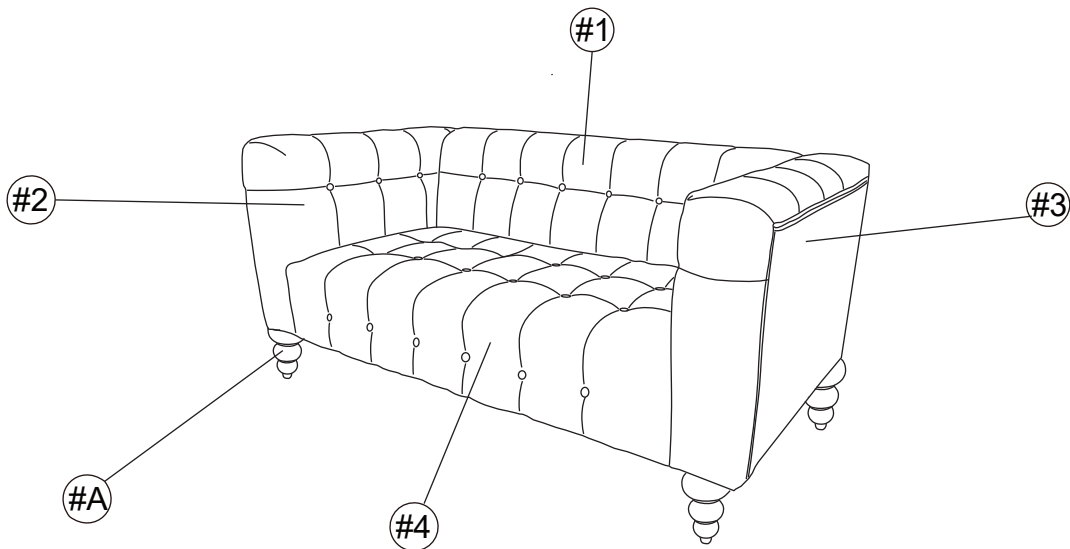
2 SEATER SOFA



2 SEATER SOFA is packed in 2 cases

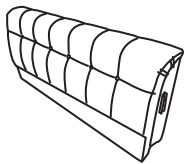
Carton	Disignation	Part	Hardware/Leg
1/2 WF306134	Backrest	#1 	 #A x 4pcs
	Left arm	#2 	 #B x 4pcs  #C x 4pcs
	Right arm	#3 	 #D x 4pcs  #E x 4pcs
2/2 WF306135	Seat	#4 	

ASSEMBLY INSTRUCTIONS



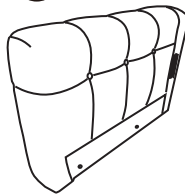
PARTS

#1 1pc



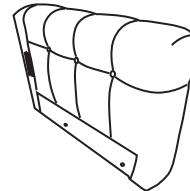
BACKREST

#2 1pc



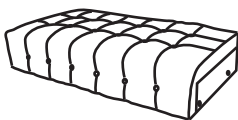
LEFT ARM

#3 1pc



RIGHT ARM

#4 1pc



SAET

HARDWARE

#A 4 pcs



WOODEN LEG

#B 4 pcs



WHOLE TOOTH SCREW
90mm L

#C 4 pcs



NUT

#D 4 pcs



FLAT WASHER
22mm

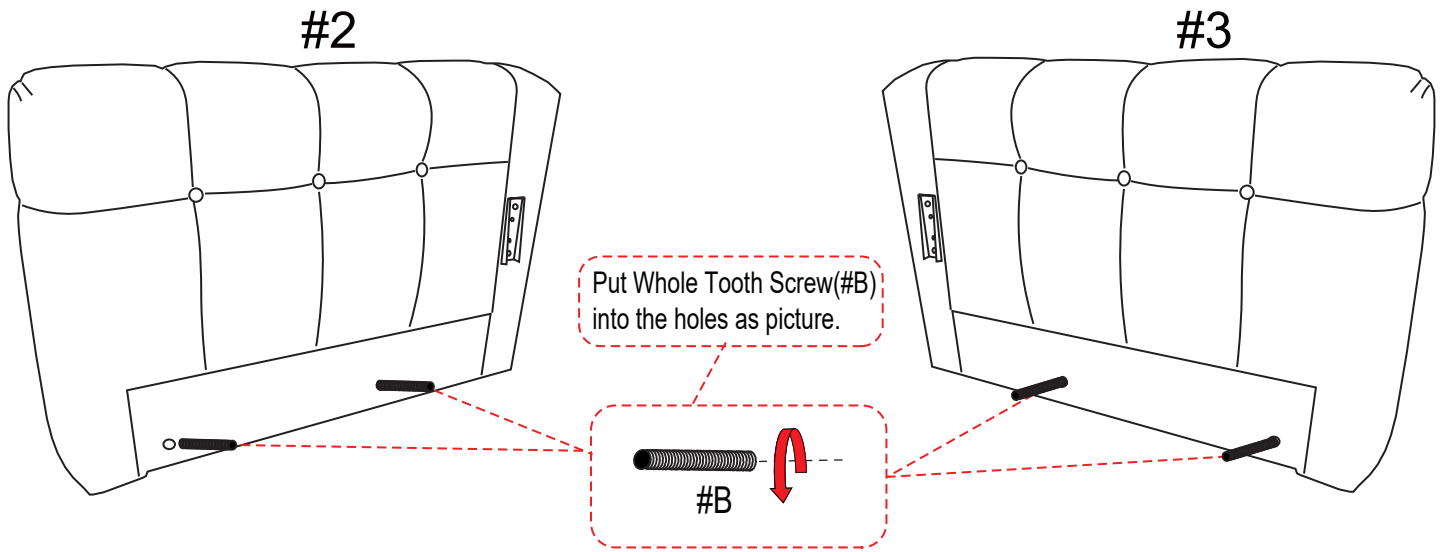
#E 1 pc



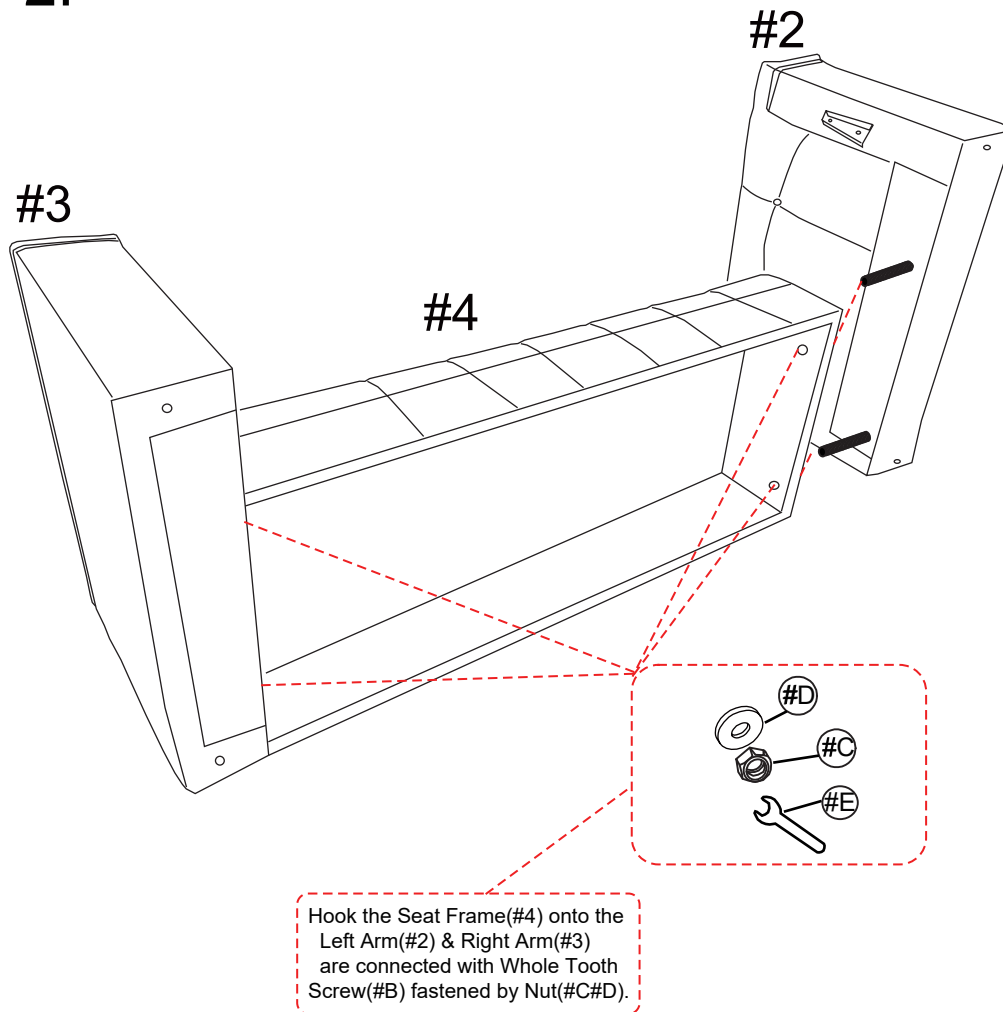
WRENCH

ASSEMBLY INSTRUCTIONS

STEP1:

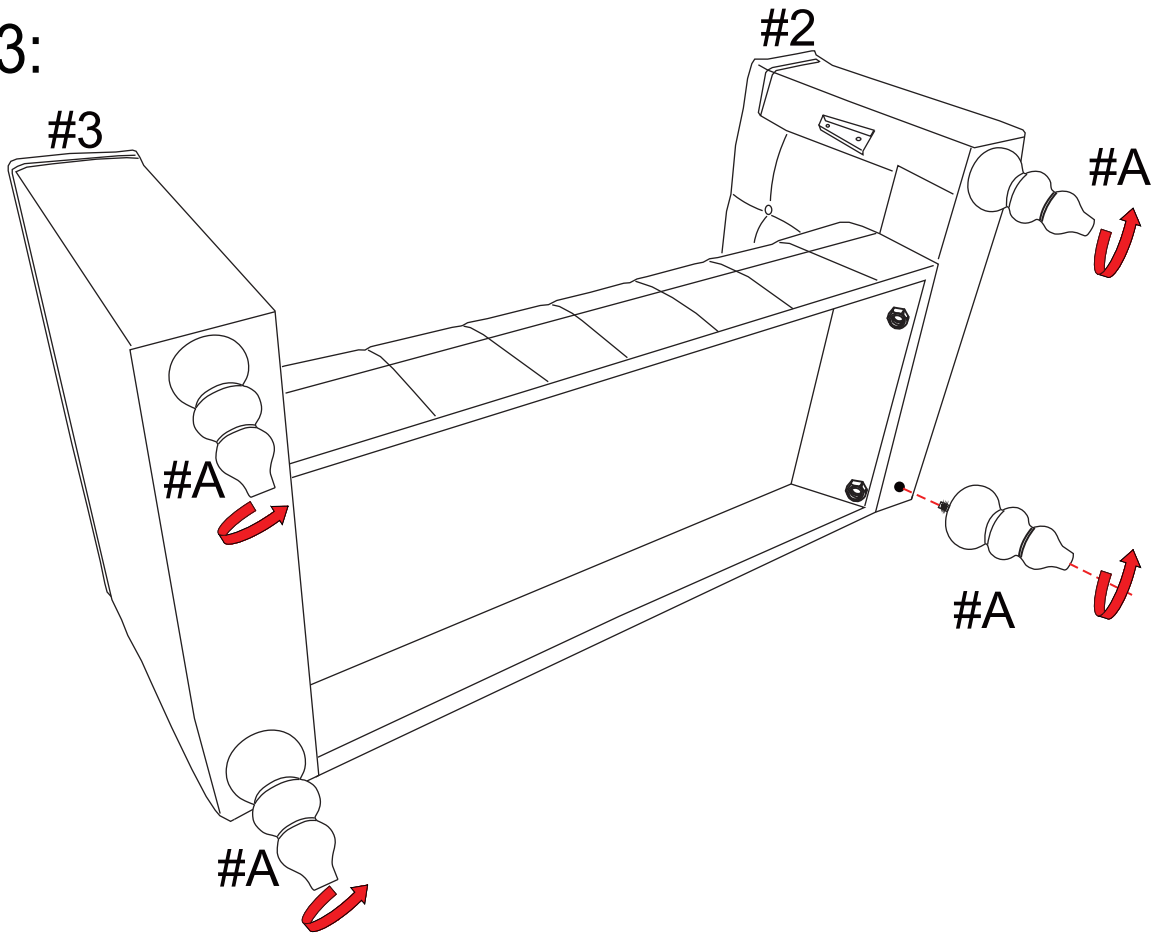


STEP2:

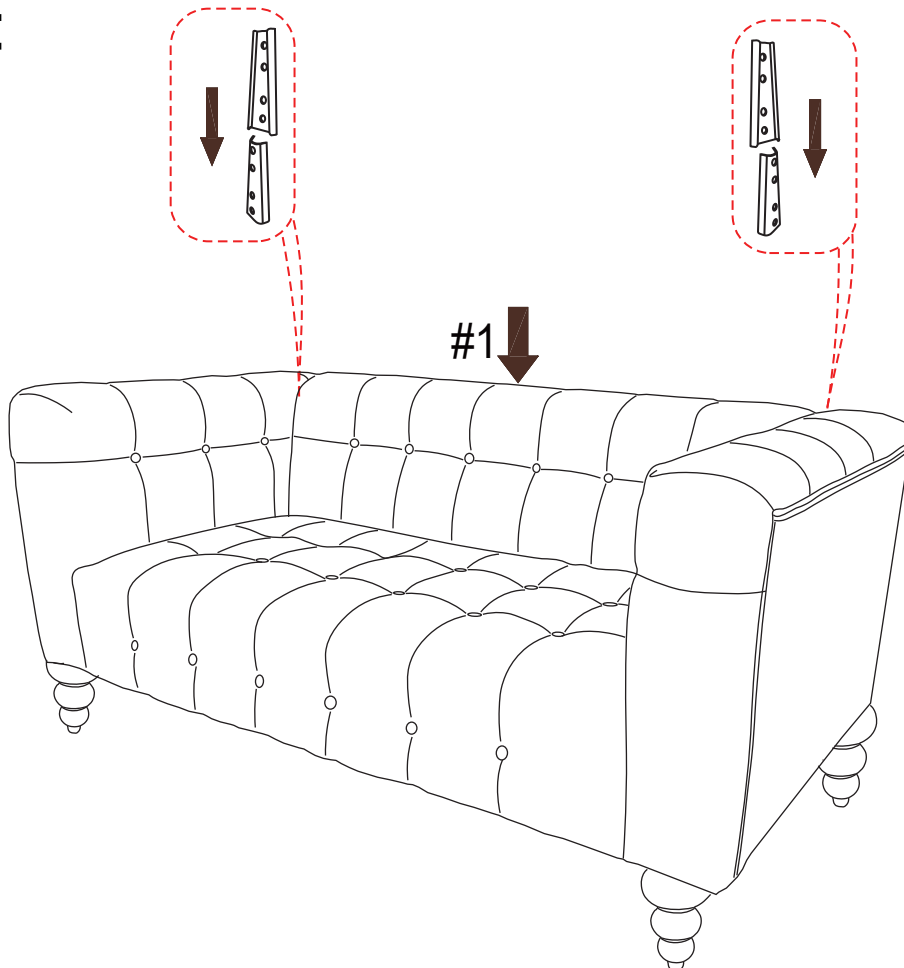


ASSEMBLY INSTRUCTIONS

STEP3:



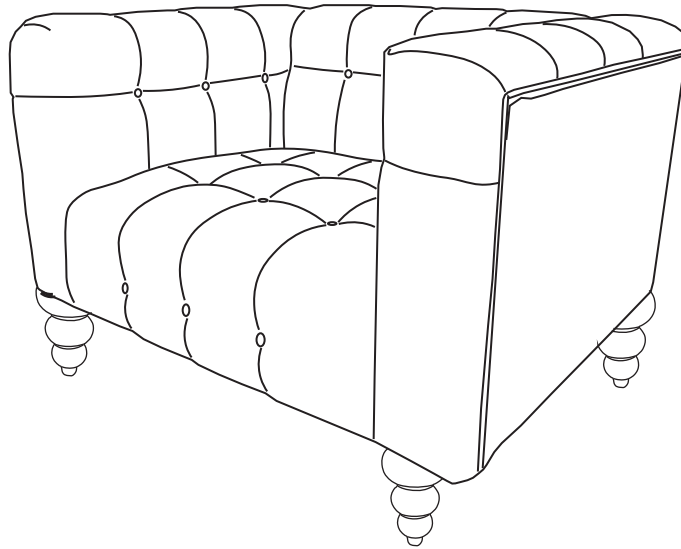
STEP4:



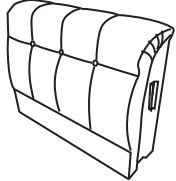
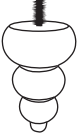
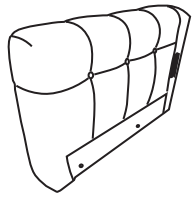


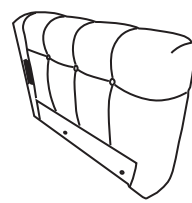

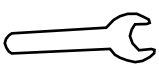
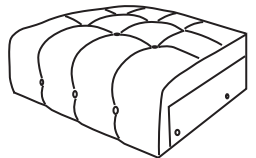
ASSEMBLY INSTRUCTIONS

WF306132/133

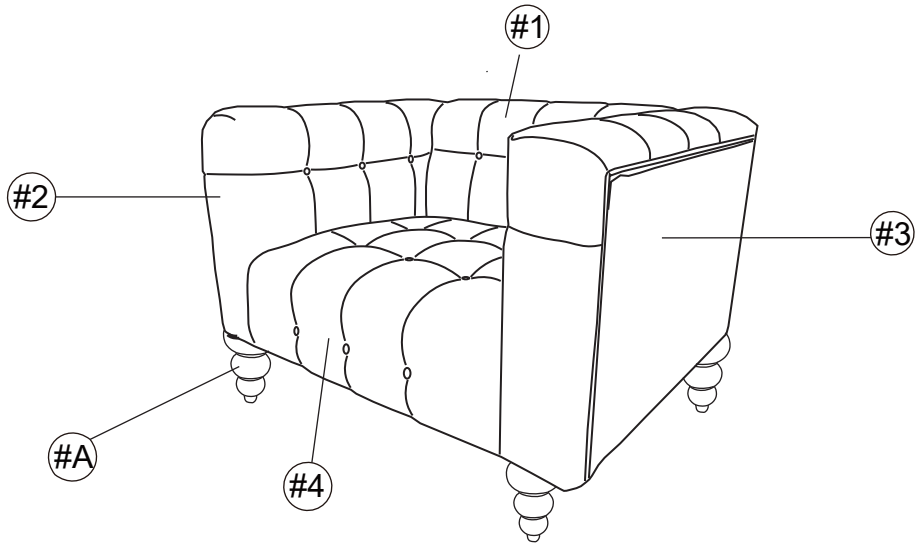
SINGLE SOFA



SINGLE SOFA is packed in 2 cases

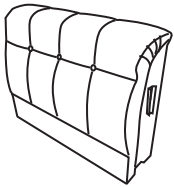
Carton	Disignation	Part	Hardware/Leg
1/2 WF306132	Backrest	#1 	 #A x 4pcs
	Left arm	#2 	 #B x 4pcs  #C x 4pcs
	Right arm	#3 	 #D x 4pcs  #E x 4pcs
2/2 WF306133	Seat	#4 	

ASSEMBLY INSTRUCTIONS



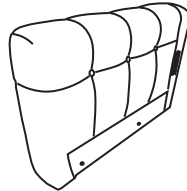
PARTS

#1 1pc



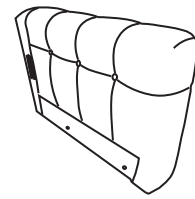
BACKREST

#2 1pc



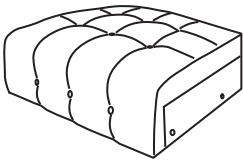
LEFT ARM

#3 1pc



RIGHT ARM

#4 1pc



SAET

HARDWARE

#A 4 pcs



WOODEN LEG

#B 4 pcs



WHOLE TOOTH SCREW
90mm L

#C 4 pcs



NUT

#D 4 pcs



FLAT WASHER
22mm

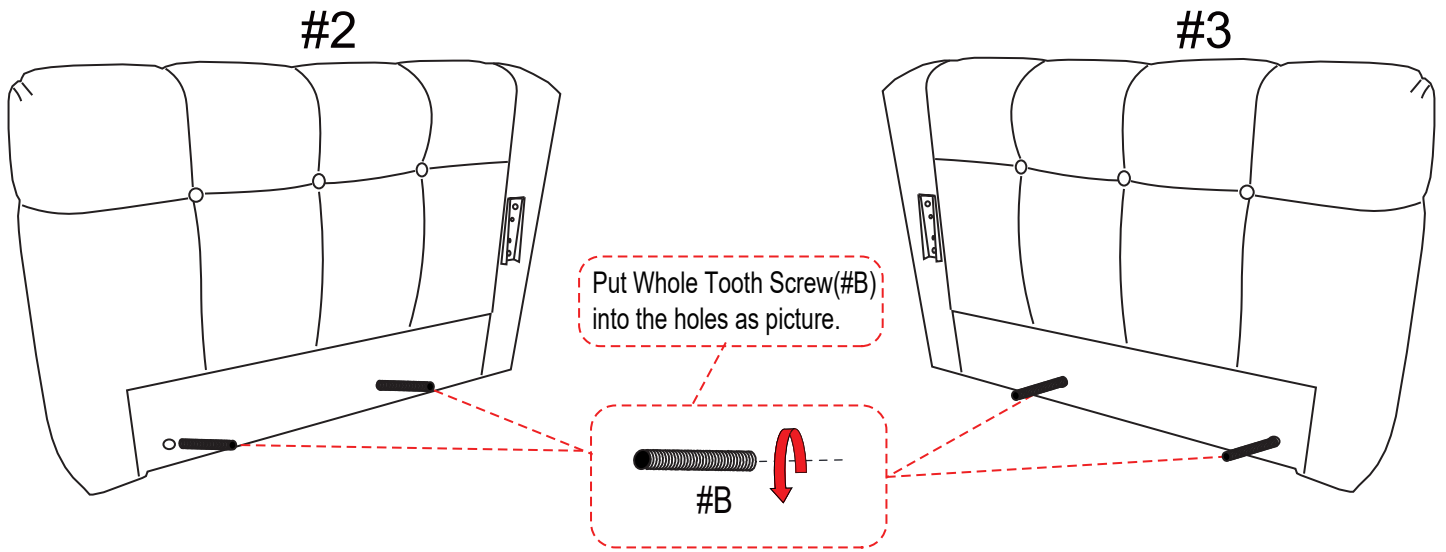
#E 1 pc



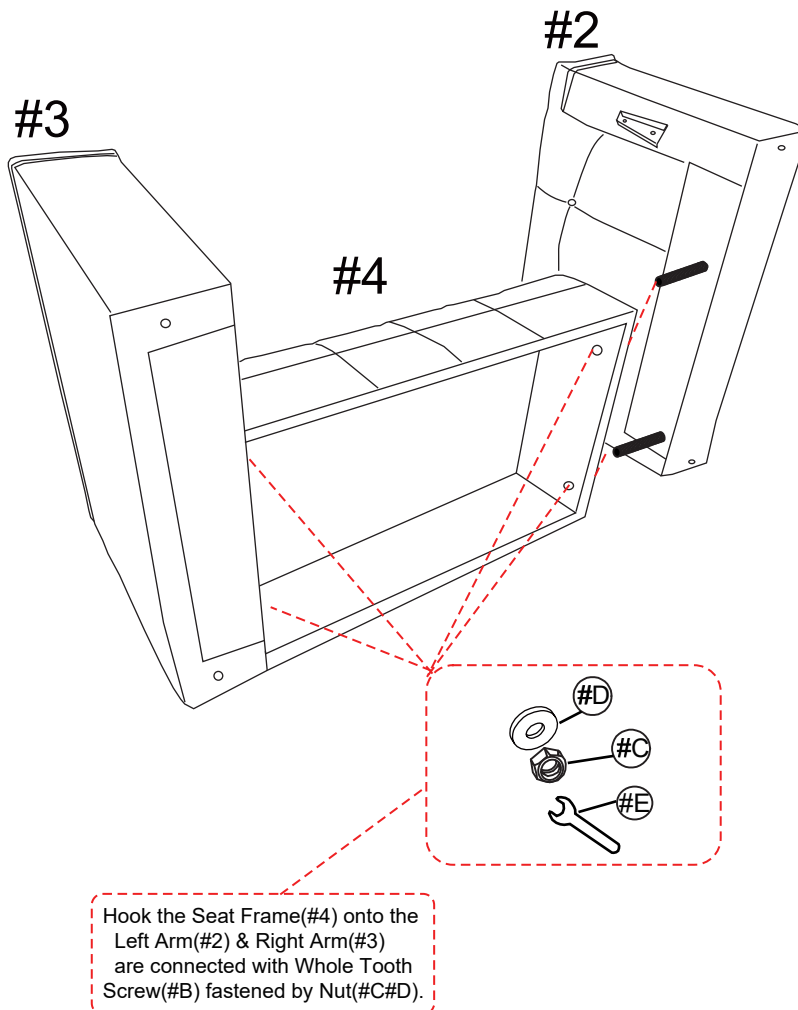
WRENCH

ASSEMBLY INSTRUCTIONS

STEP1:

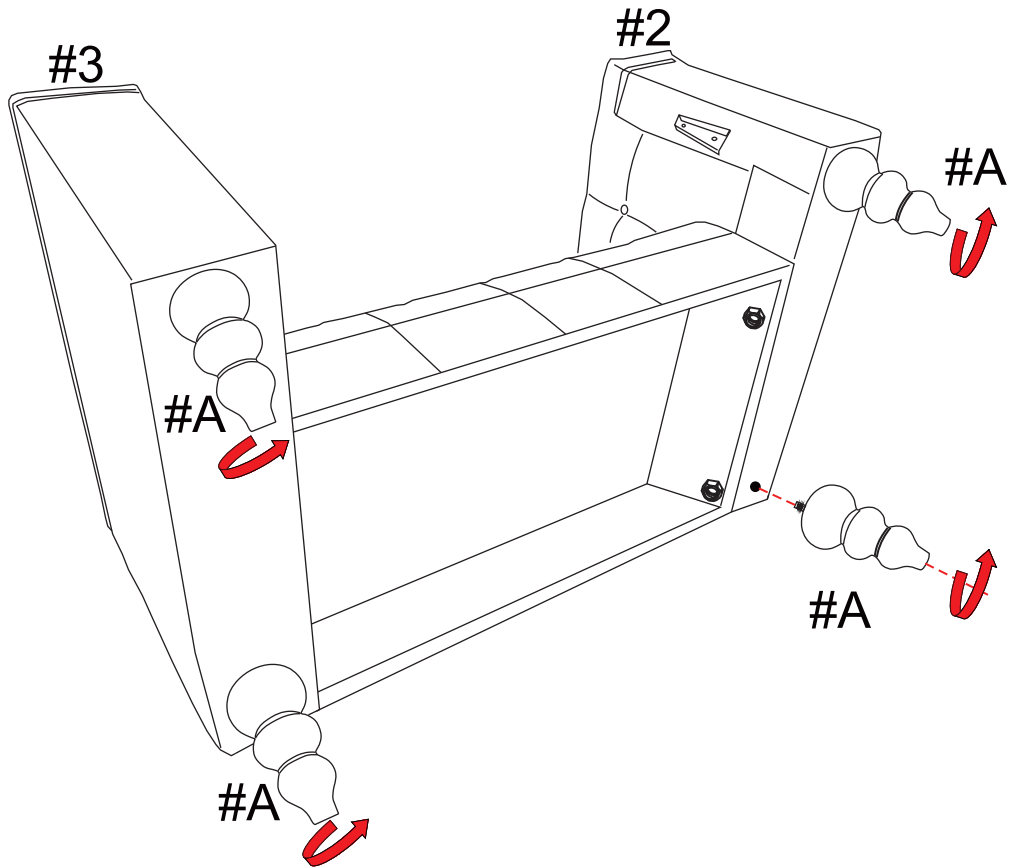


STEP2:



ASSEMBLY INSTRUCTIONS

STEP3:



STEP4:

