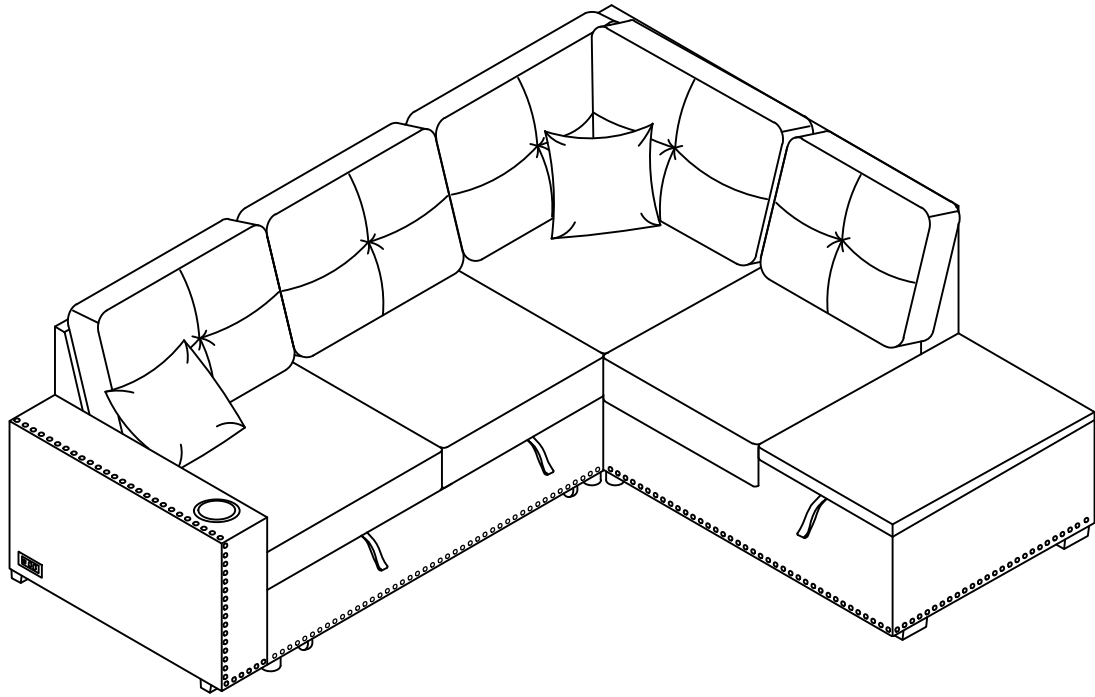
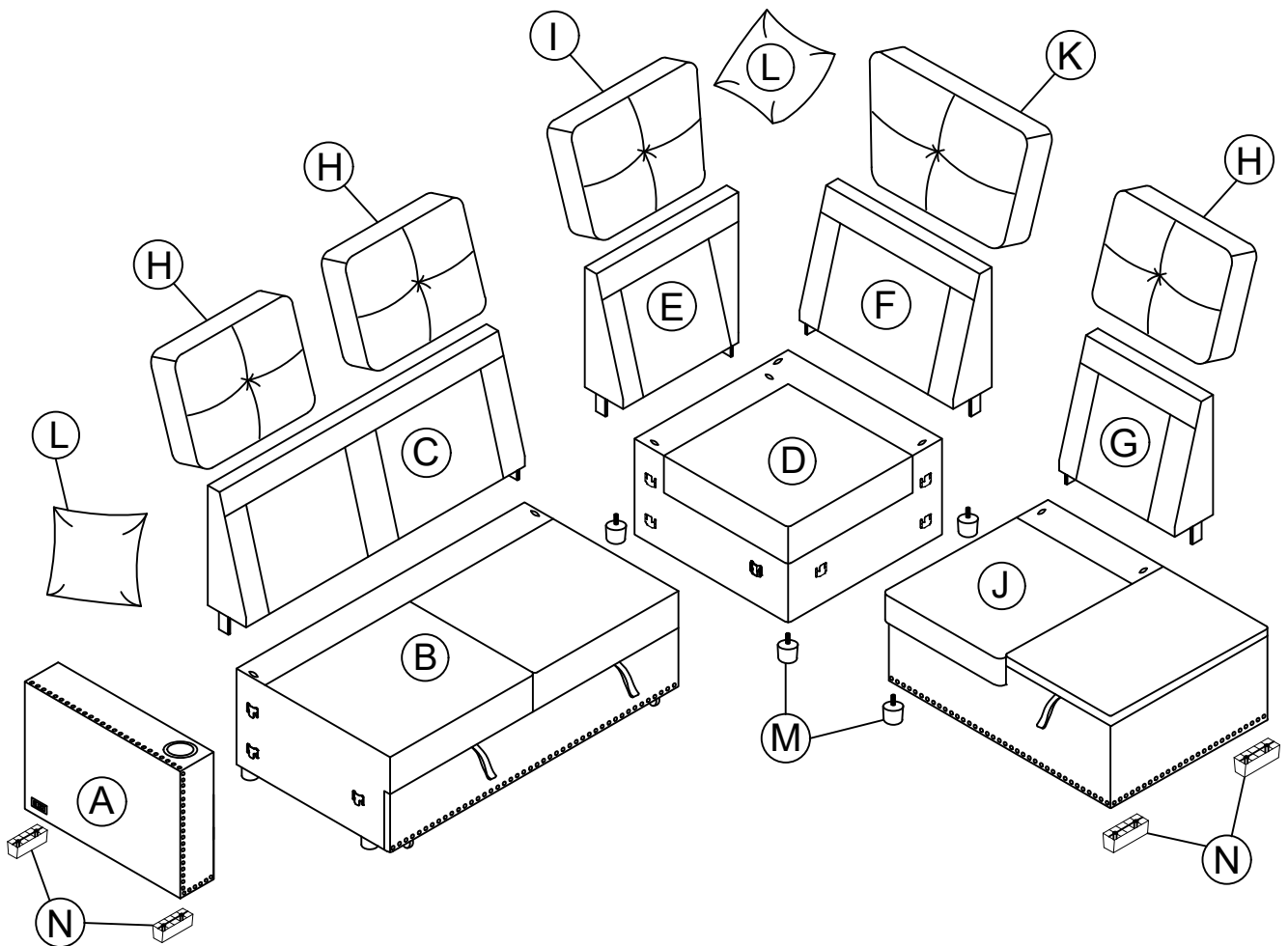


# ASSEMBLY INSTRUCTION

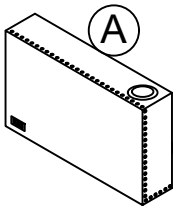
ITEM NO.: WF307005-WF307006-WF307007



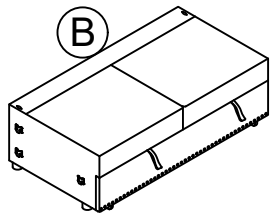
## PARTS



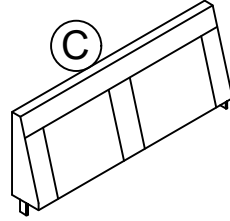
# PARTS LIST



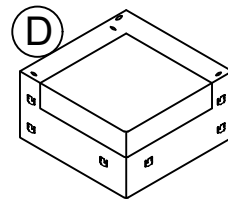
Arm X 1PC



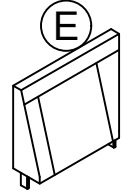
Loveseat Body X 1PC



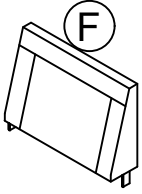
Loveseat Back Frame X 1PC



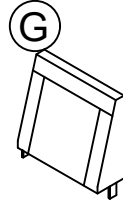
Corner Frame X 1PC



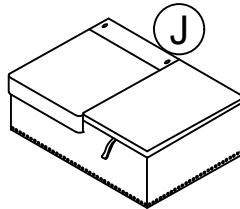
Short Back Frame X 1PC



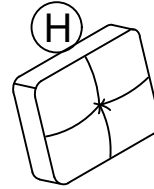
Long Back Frame X 1PC



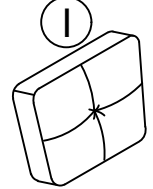
Short Back Frame X 1PC



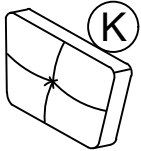
Ottoman X 1PC



Back Cushion X 3PCS



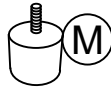
Back Cushion X 1PC



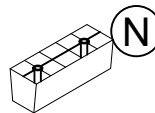
Back Cushion X 1PC



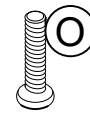
Pillow X 2PCS



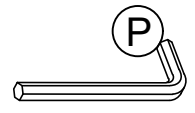
Round Leg X 6PCS



Square Leg X 4PCS



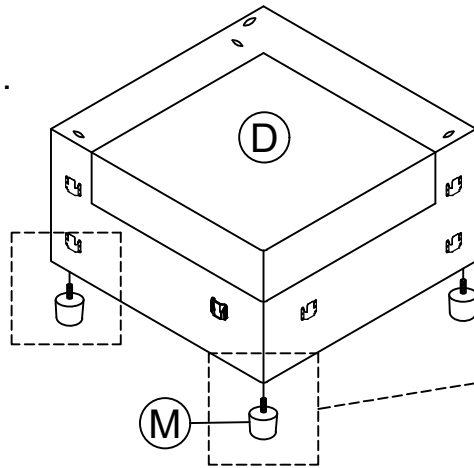
Bolt 1/4"X45mm X 8PCS



Allen key 1PC

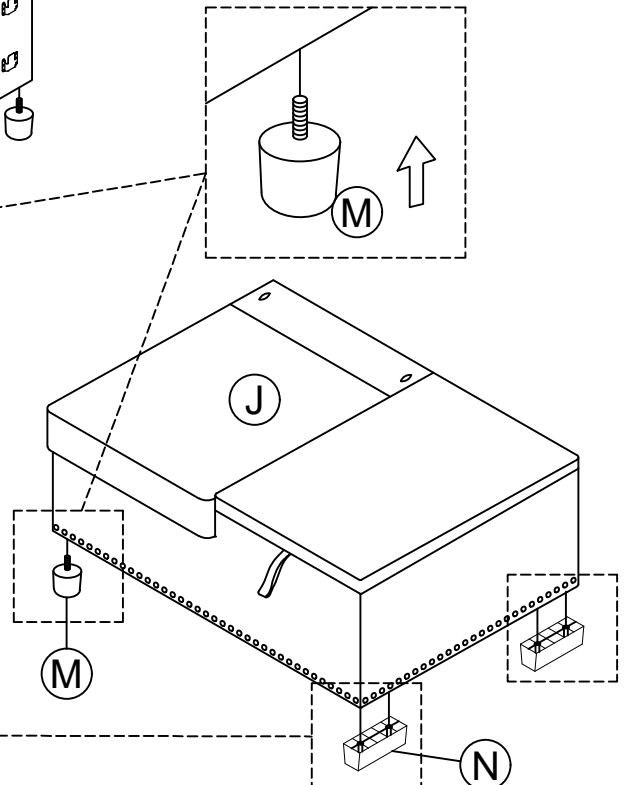
## STEP 1:

1.1 Attach M x4 to D x1.



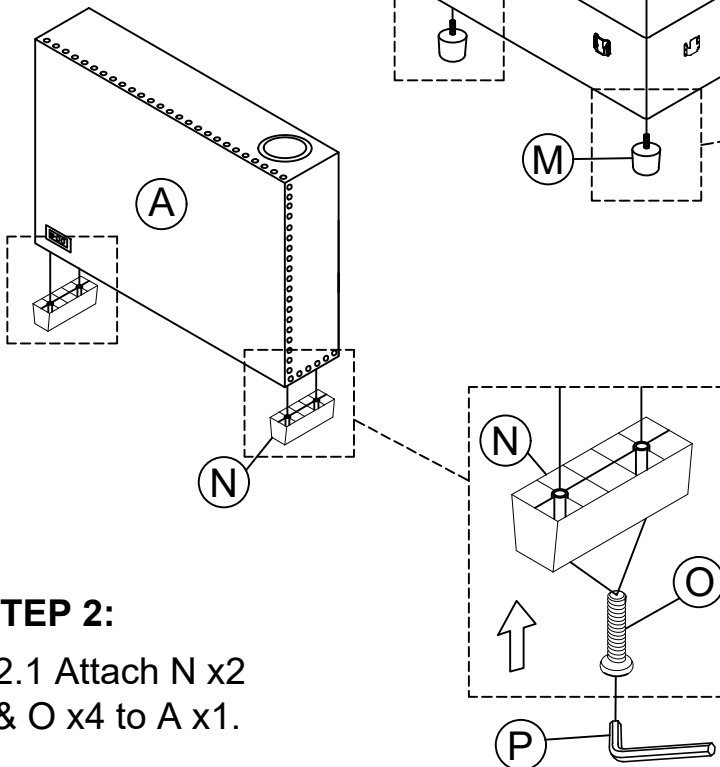
## STEP 3:

3.1 Attach N x2 & O x4 to J x1.  
3.2 Attach M x2 to J x1.



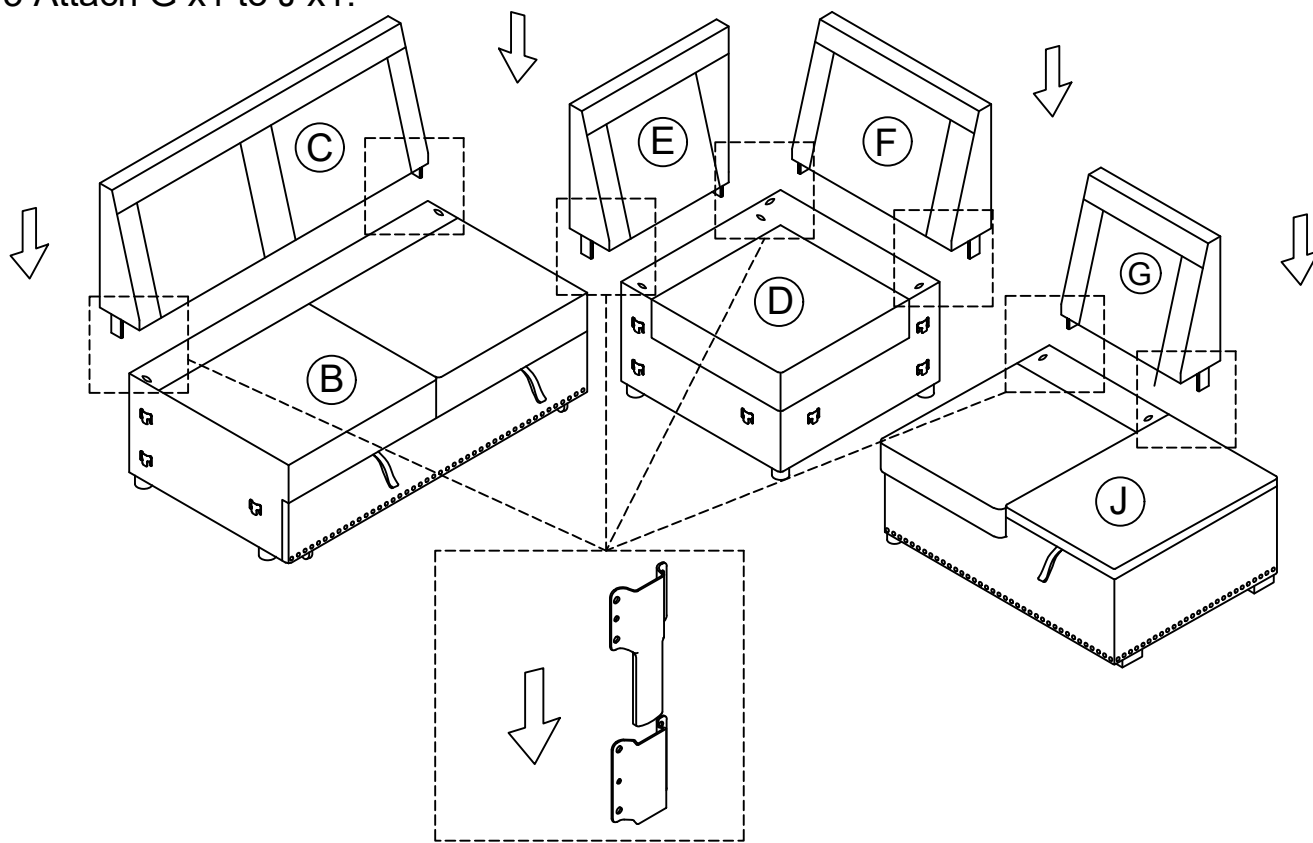
## STEP 2:

2.1 Attach N x2 & O x4 to A x1.



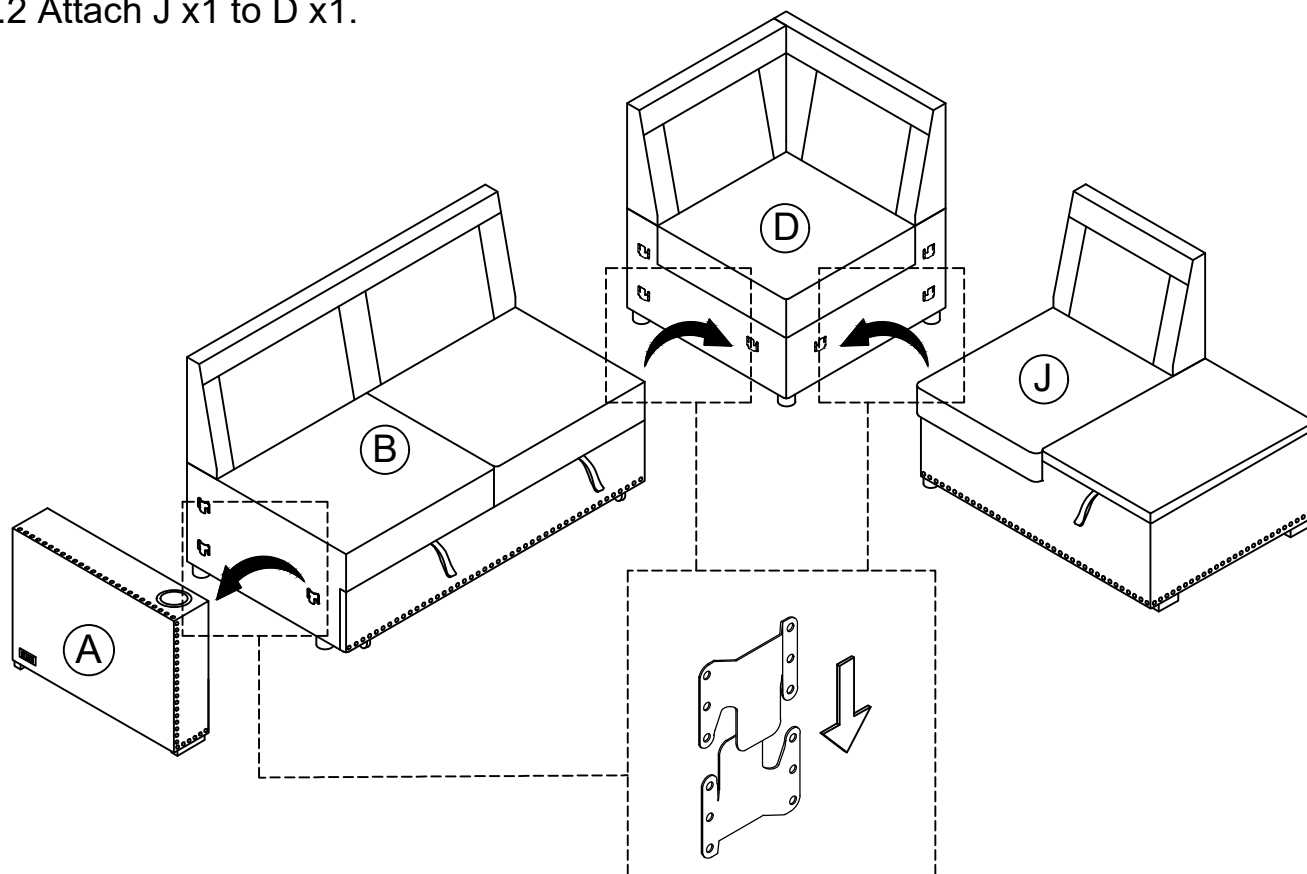
## STEP 4:

- 4.1 Attach C x1 to B x1.
- 4.2 Attach E x1 & F x1 to D x1.
- 4.3 Attach G x1 to J x1.



## STEP 5:

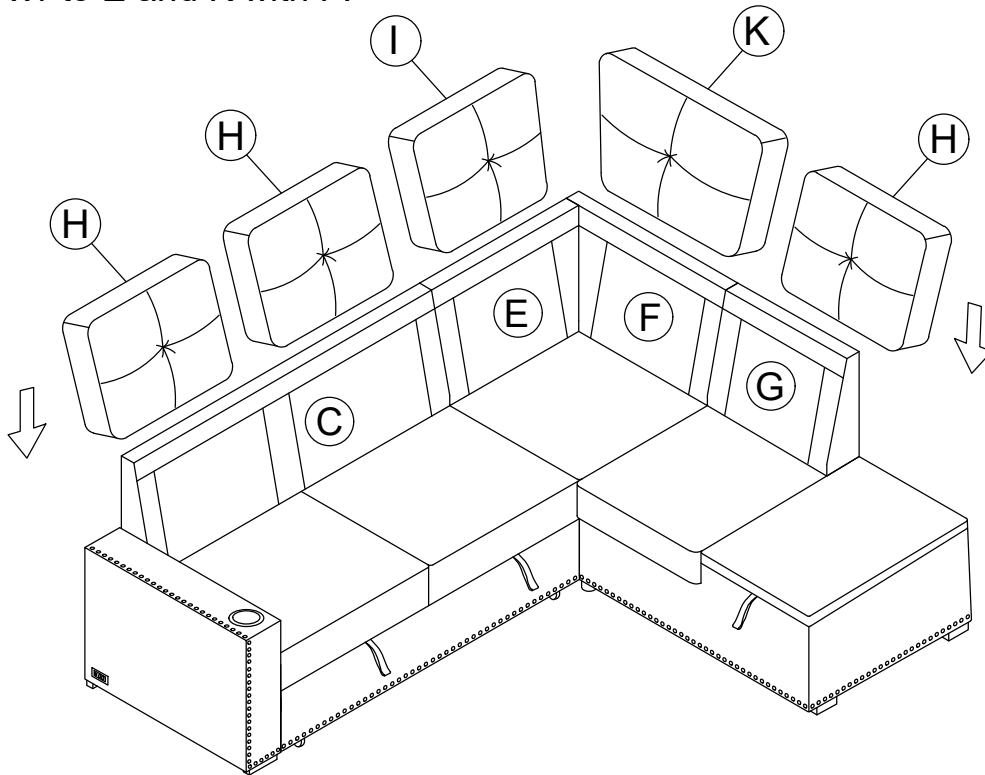
- 5.1 Attach B x1 to A x1 with D x1 .
- 5.2 Attach J x1 to D x1.



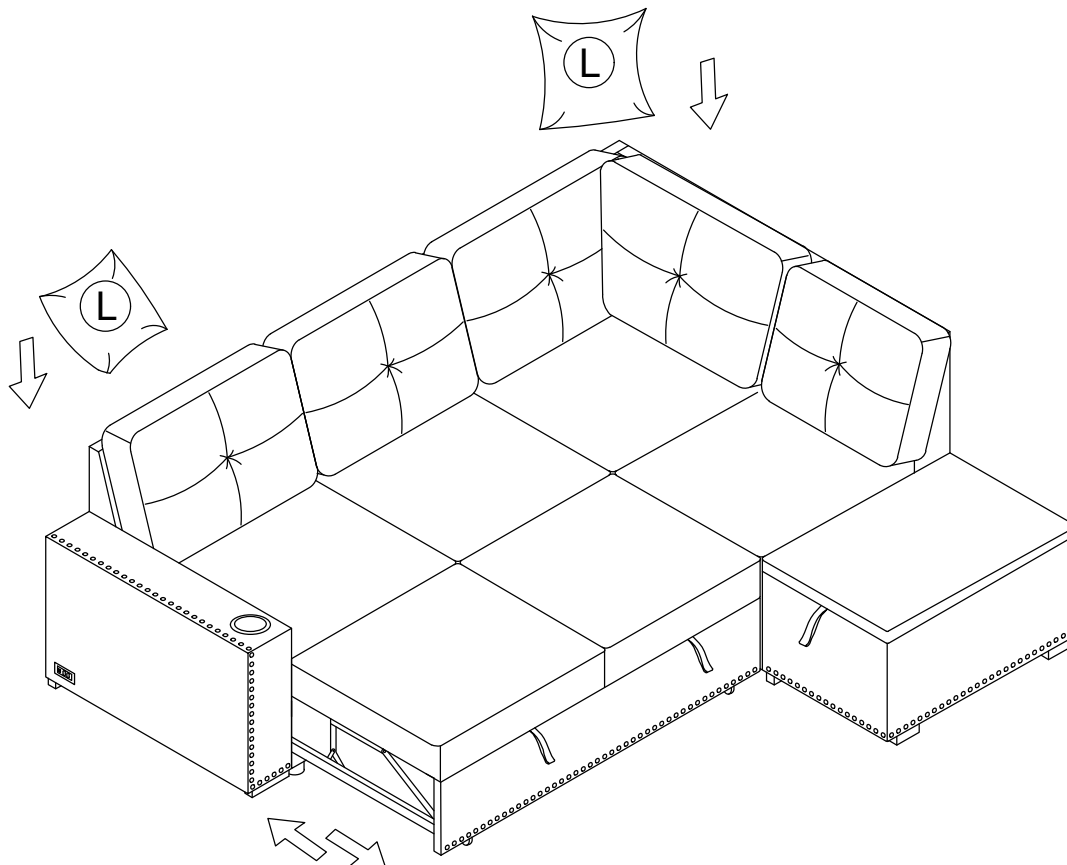
## STEP 5:

5.1 Attach H x2 to C and H x1 with G .

5.2 Attach I x1 to E and K with F.

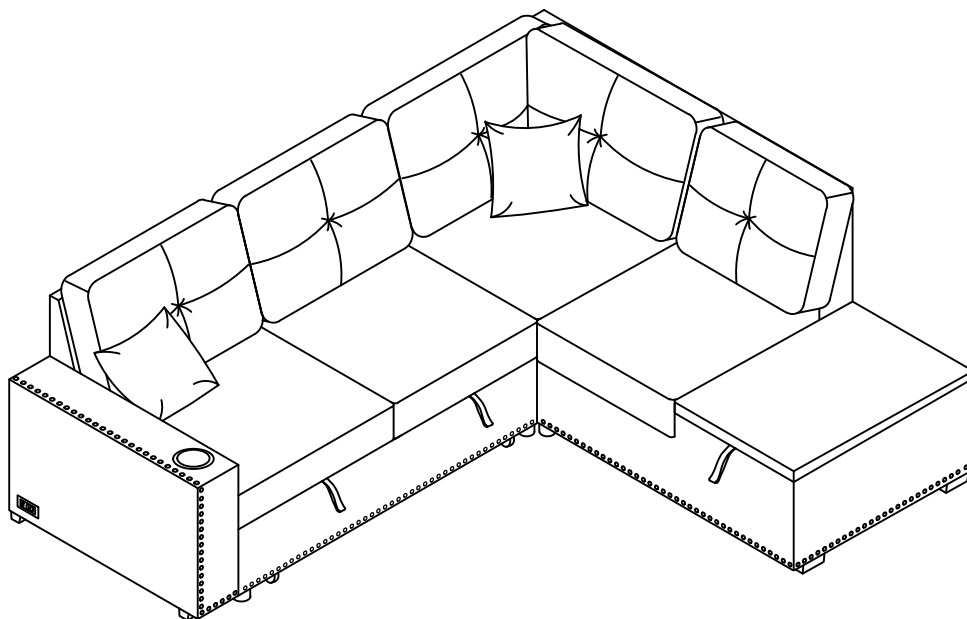


## STEP 6:



# Helpful Hints

- Sectional sofa can transform into a sleeper
- Move your new furniture carefully, with two people lifting and carrying the unit to its new location.
- Your furniture can be disassembled and reassembled to move.
- Clean the product with a soft damp cloth. DO NOT use harsh chemicals or abrasive cleaners.



## COMPLETE

