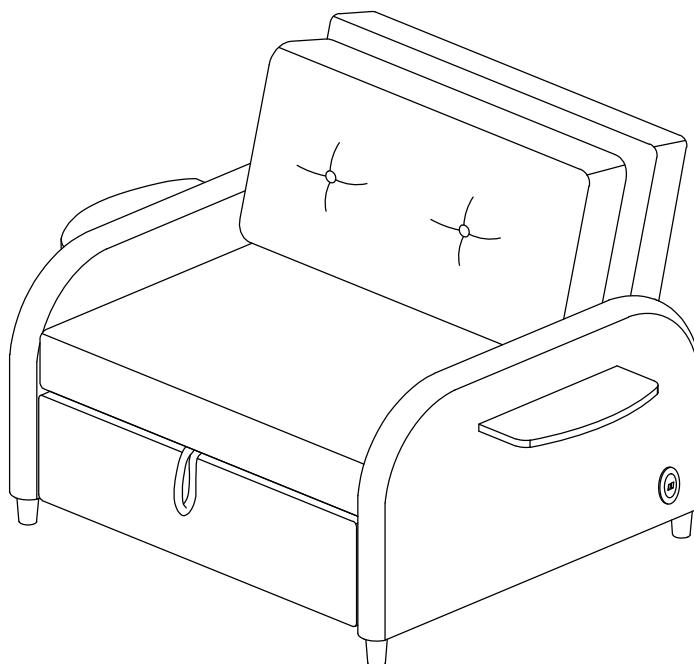
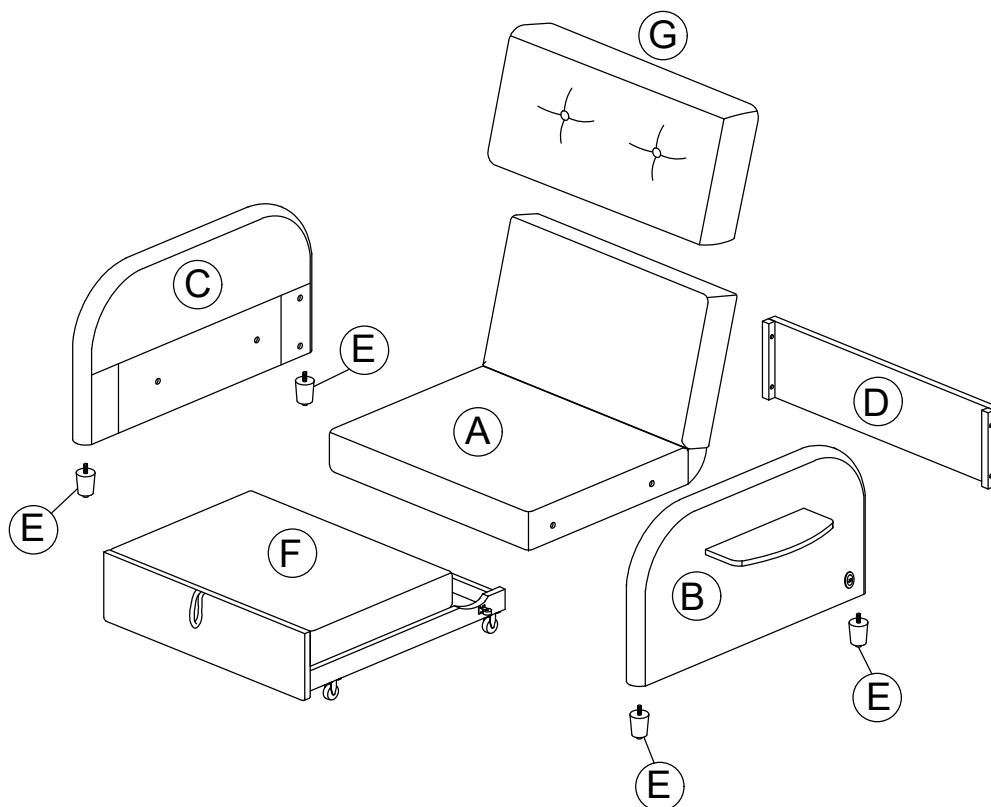


ASSEMBLY INSTRUCTION

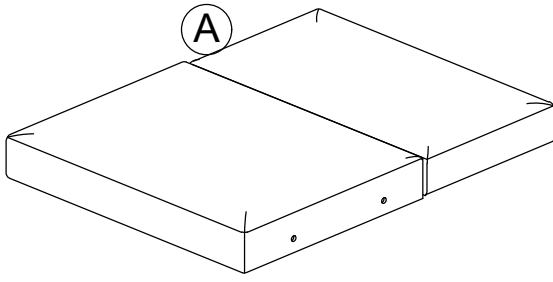
ITEM NO.: WF302882AAB-WF302882AAA-WF302882AAE



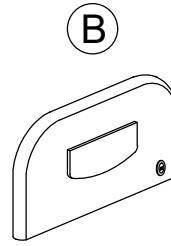
PARTS



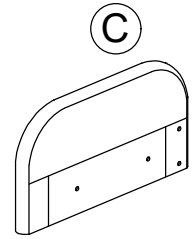
PARTS LIST



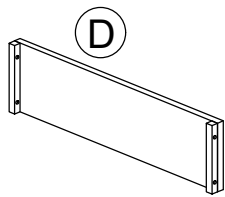
Chair Body
X 1PC



Left Arm X 1PC



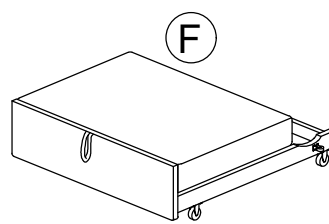
Right Arm X 1PC



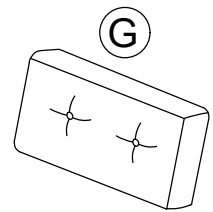
Back Frame
X 1PC



Legs X 4PCS

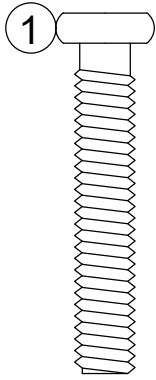


Pull out Bed X 1PC

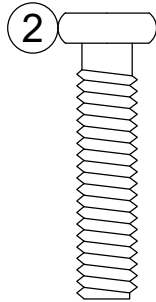


Pillow X 1PC

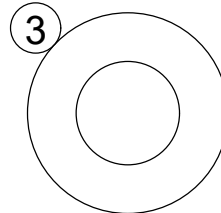
HARDWARE



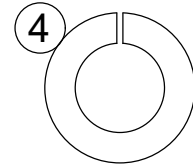
Bolt
5/16" X 2-1/2" X4



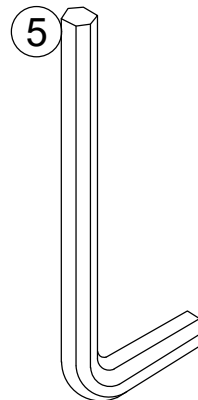
Bolt
5/16" X 2" X4



Washer
5/16" X 19mm X 8



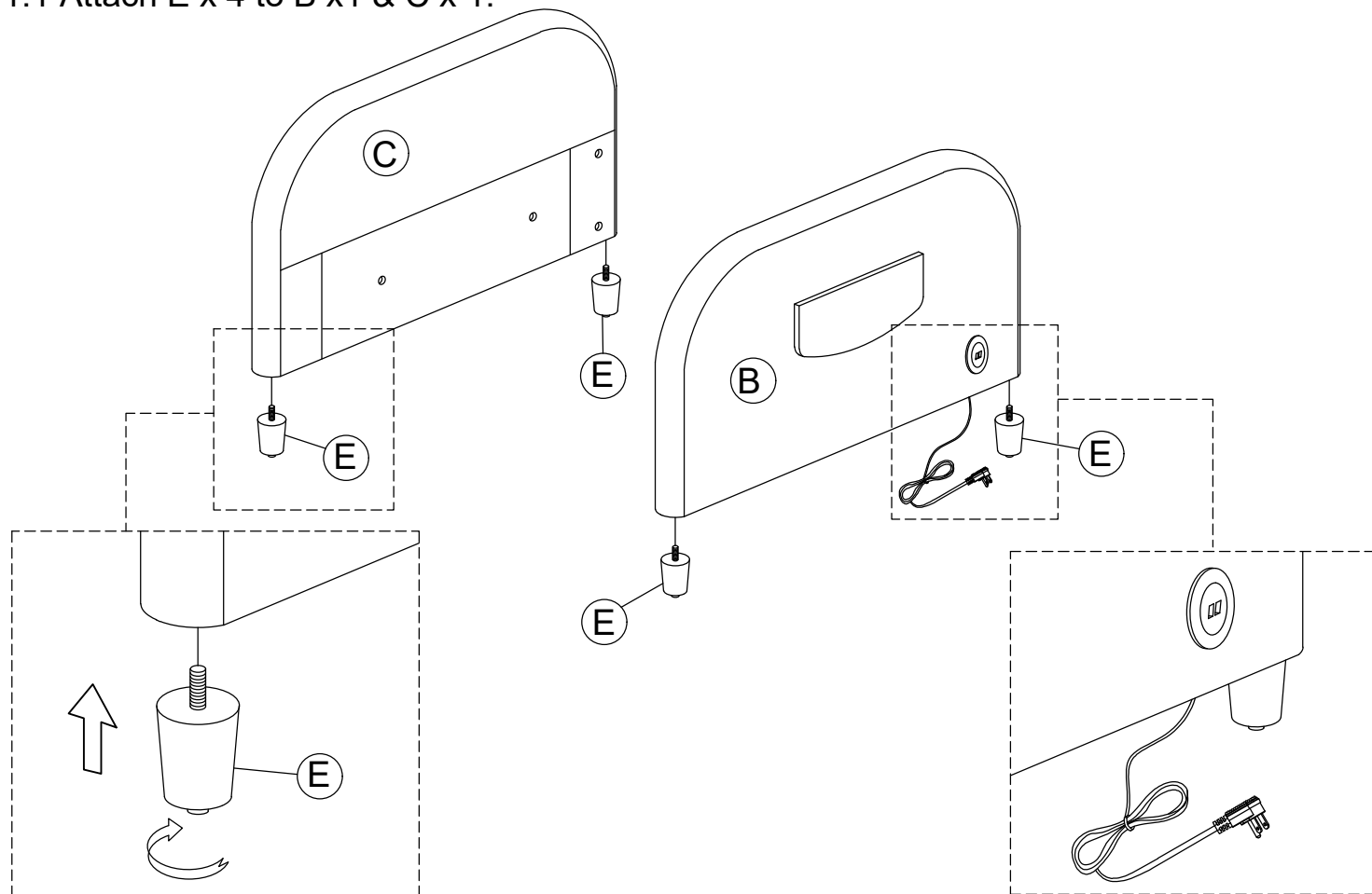
Spring Washer
X 8



Allen Key 5 mm

STEP 1:

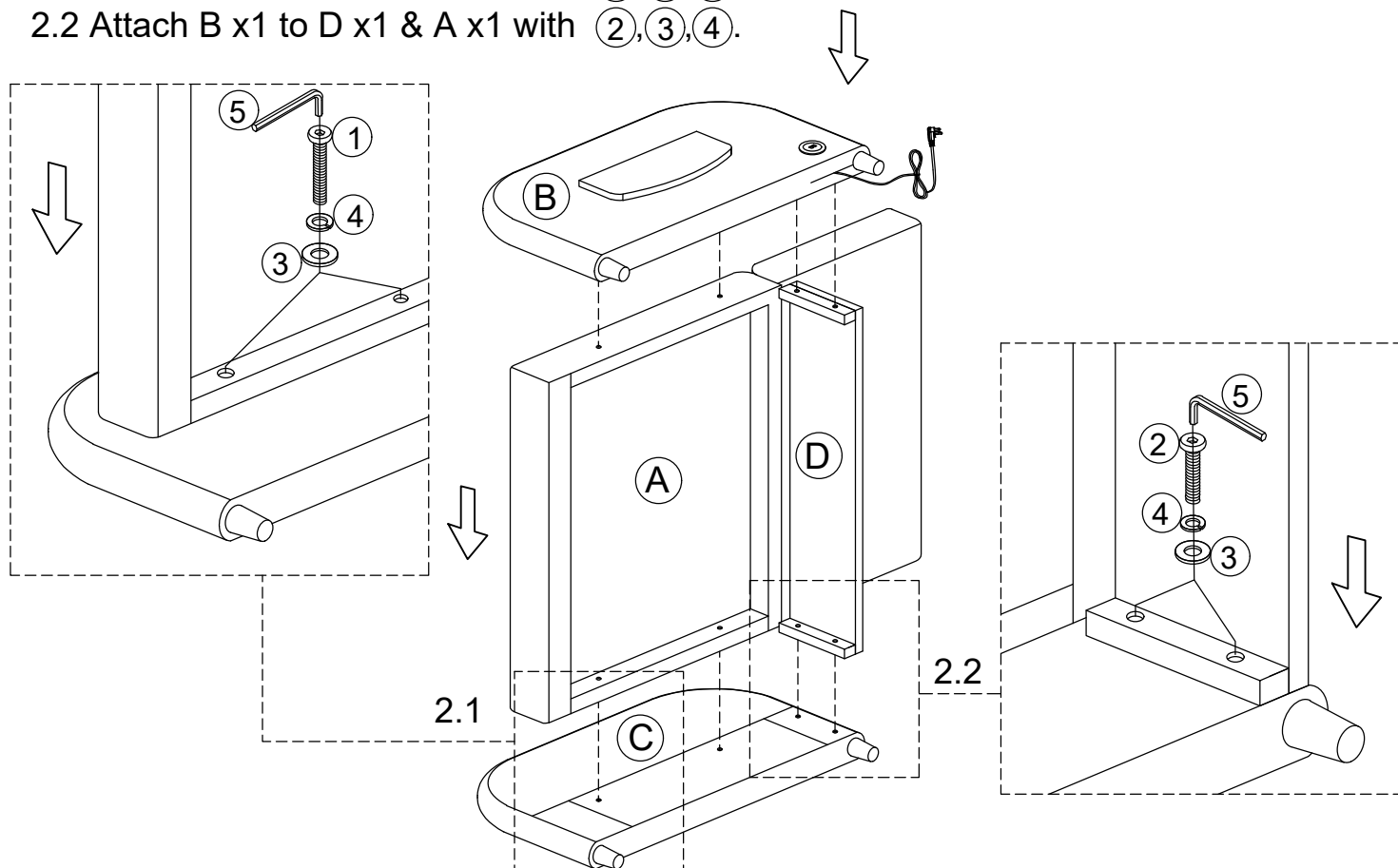
1.1 Attach E x 4 to B x1 & C x 1.



STEP 2:

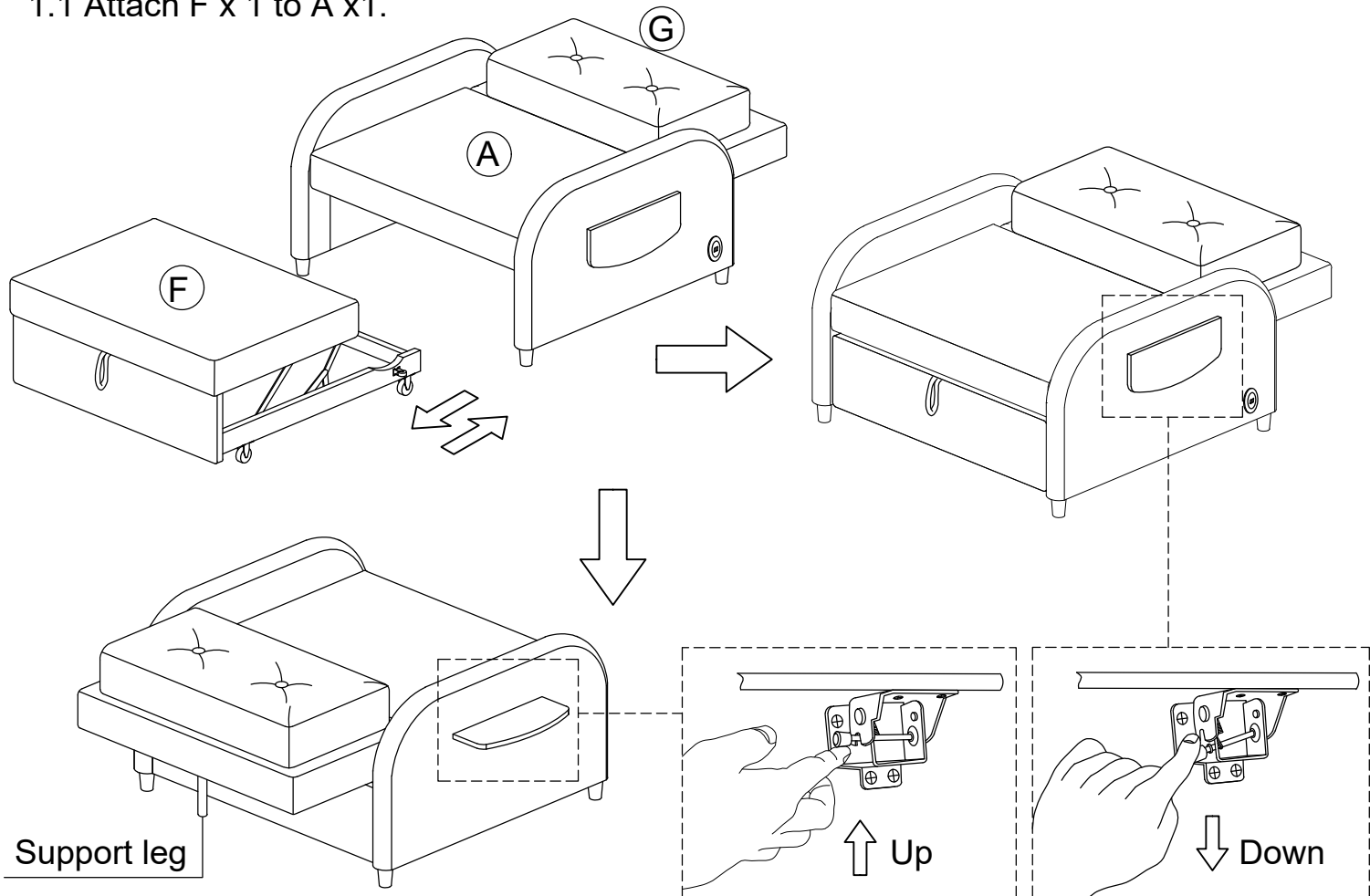
2.1 Attach A x1 to D x1 & C x1 with ①, ③, ④.

2.2 Attach B x1 to D x1 & A x1 with ②, ③, ④.

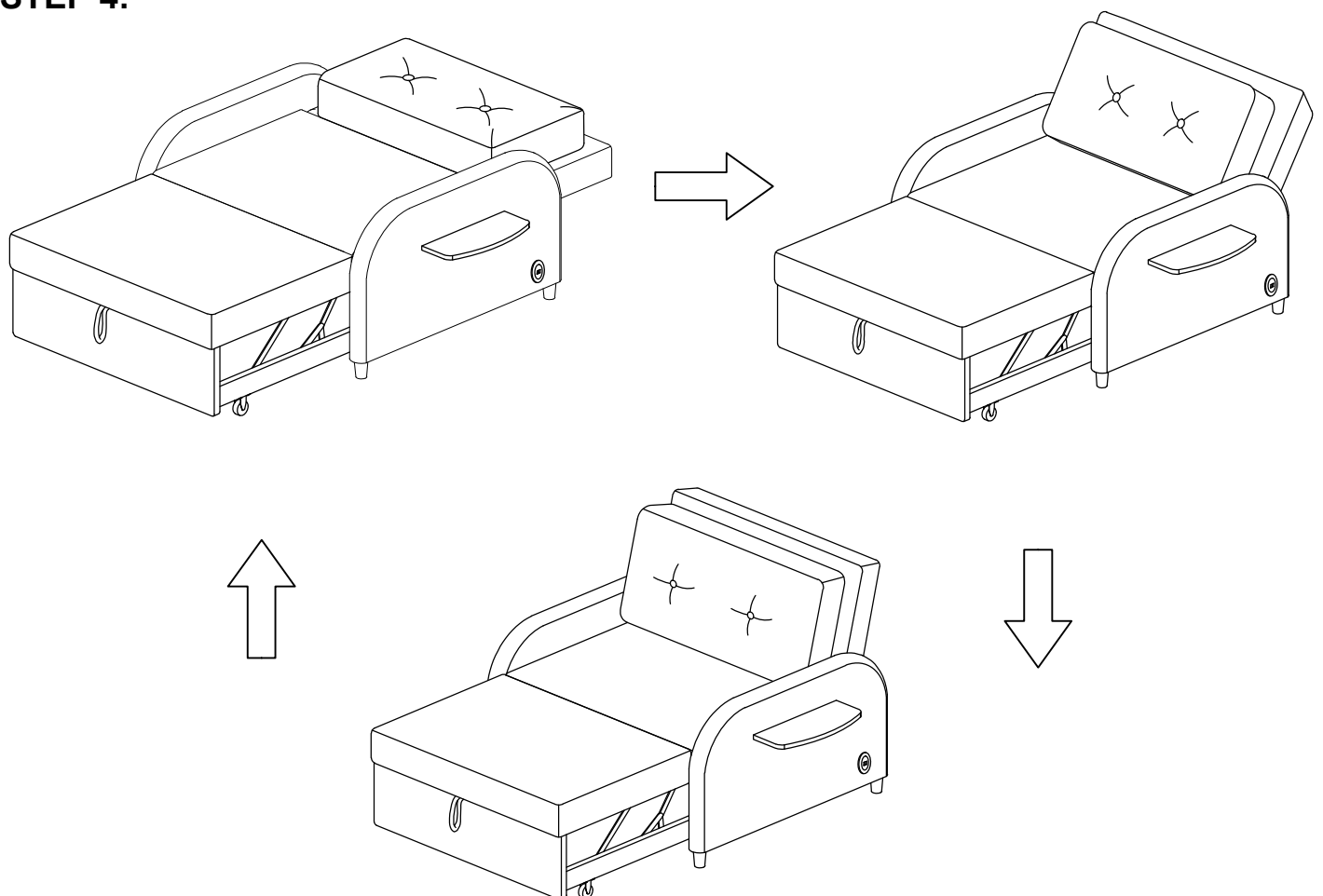


STEP 3:

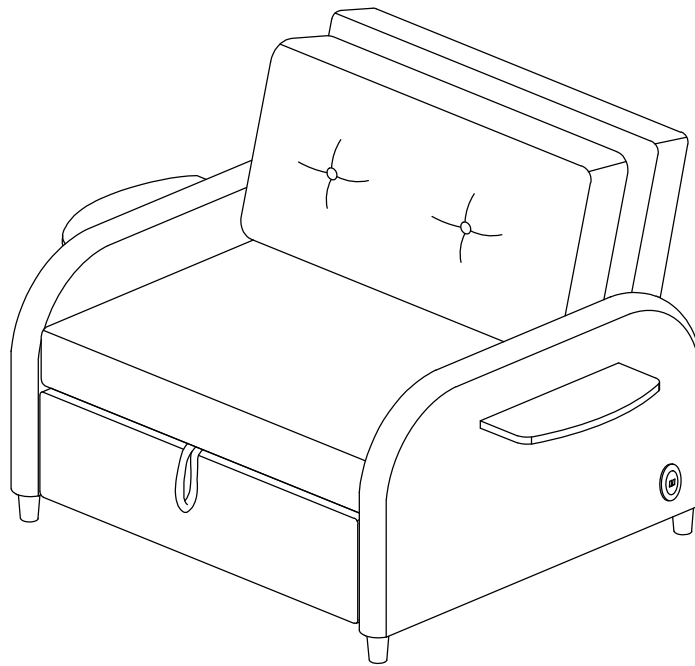
1.1 Attach F x 1 to A x1.



STEP 4:



COMPLETE



Helpful Hints

- Your futon can transform between a Sofa.
- Move your new furniture carefully, with two people lifting and carrying the unit to its new location.
- Your furniture can be disassembled and reassembled to move.
- Clean the product with a soft damp cloth. DO NOT use harsh chemicals or abrasive cleaners.

