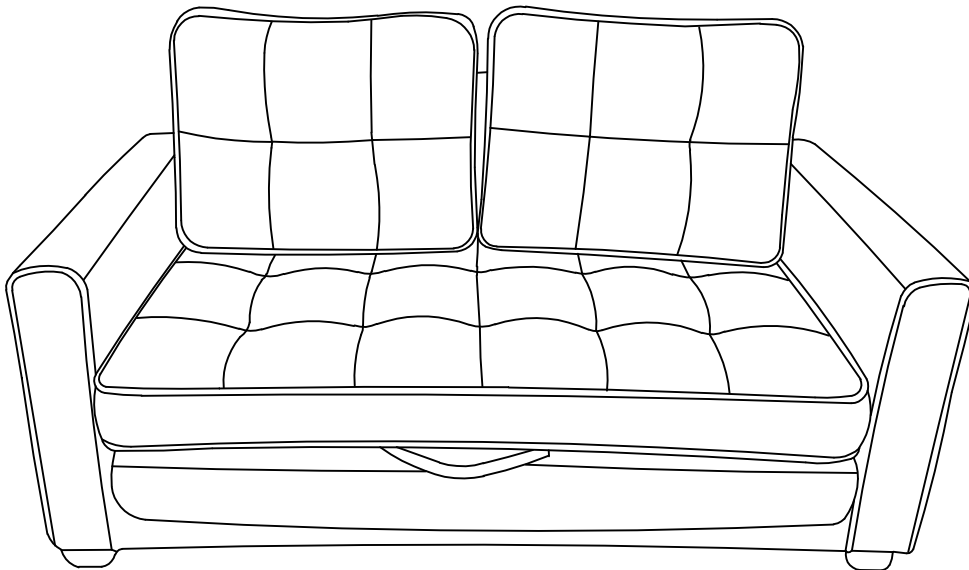


ASSEMBLY INSTRUCTION

WF306541 WF306554

Friendly Reminder:

- 1.This sofa is packed in 2 boxes. Please assemble it After all boxes are received.
- 2.As the cushions are all vacuum compressed,there will be some wrinkles. Please give your cushions up to 72 hours to reach its original size and the wrinkles will basically disappear.
- 3.Please do not open the compressed packags until your sofa frame is completely assembled.







Return & Warranty policy:

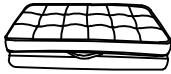
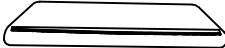
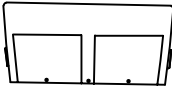
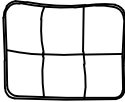

- We strive to offer the highest quality products,and we also try our best to satisfy each and every customer that orders from us with replacement parts or service as needed.
- If the item is damaged or defective, please take photos as evidence for replacements and refunds.
- Please do not return to store,contact the seller if you have any troubles with this product.

ASSEMBLY INSTRUCTION

HARDWARE



NO	DESCRIPTION	SKETCH	QTY
1	Washer		6
2	Screws 8X60		6
3	Wrench		1
4	Plastic gasket		5

PARTS LIST WF306541

NO	DESCRIPTION	SKETCH	QTY
A	Seat cushion		1
B	Seat frame		1
C	Back frame		1
D	Back cushion		2
G	Leg		5

ASSEMBLY INSTRUCTION

PARTS LIST WF306554

NO	DESCRIPTION	SKETCH	QTY
E	Armrest (left)		1
F	Armrest (right)		1

All parts and hardwares.

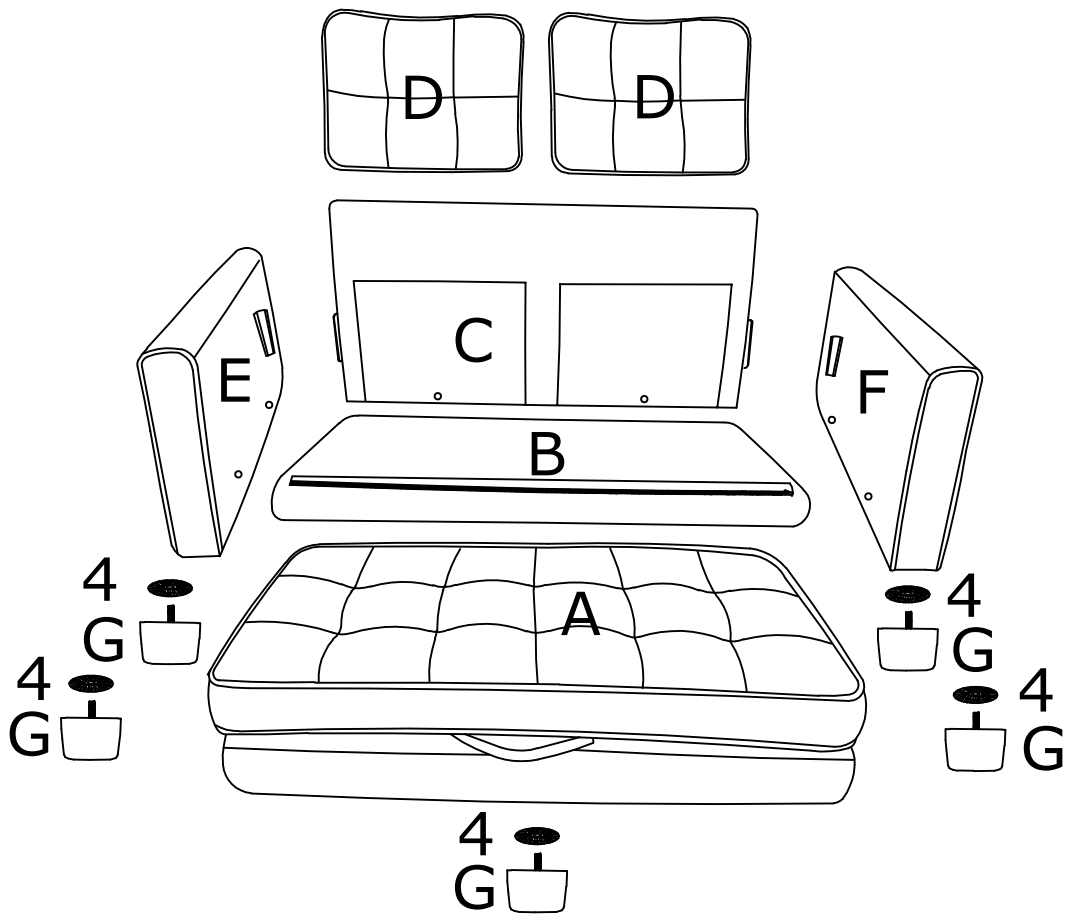




DIAGRAM 1 (Assemble the Back frame)

Connect the Seat frame(Parts B) to the Back frame (Parts C) with the Washer (Hardware 1) and the Screws M8X60(Hardware 2) by Wrench(Hardware 3).

1		2PCS
2	 M8X60	2PCS

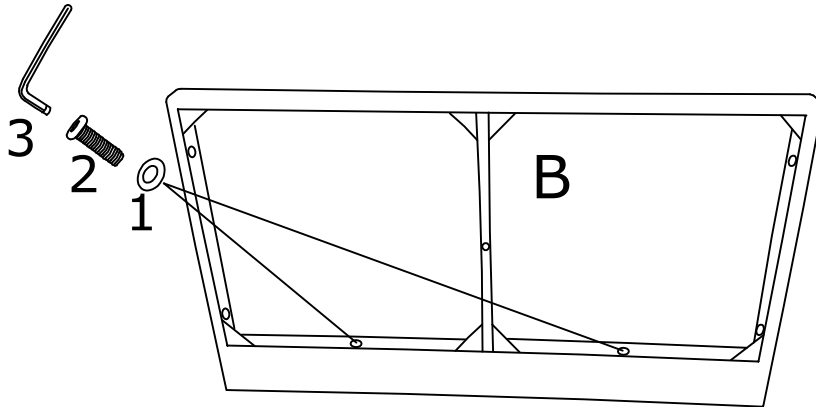


DIAGRAM 2 (Assemble the Armrest)

Insert Armrest (left) (Parts E)and Armrest (right) (Parts F) into the Back frame(C) first.

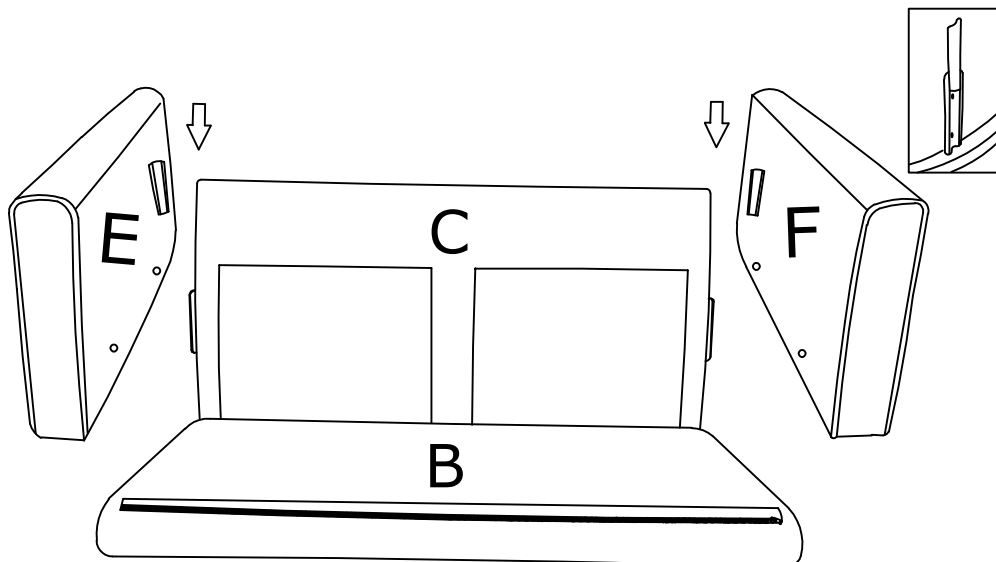




DIAGRAM 3 (Assemble the Armrest)

Connect the Armrest (left) (Parts E) and Armrest (right) (Parts F) to the Seat frame (Parts B) with the Washer (Hardware 1) and the Screws M8X60(Hardware 2)by Wrench(Hardware 3).

1		4PCS
2	 M8X60	4PCS

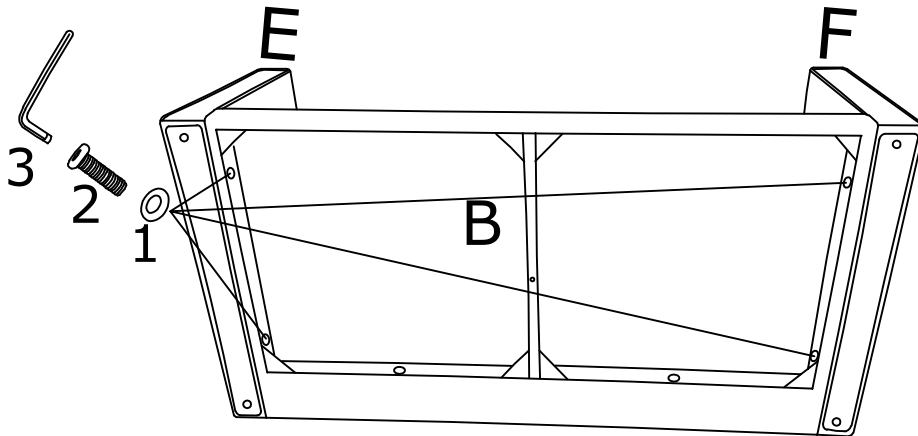


DIAGRAM 4 (Assemble the Legs)

Connect the Plastic gasket (Hardware 4)Leg (Parts G)with the Seat frame (Parts B) and Armrest (left) (Parts E) and Armrest (right) (Parts F).

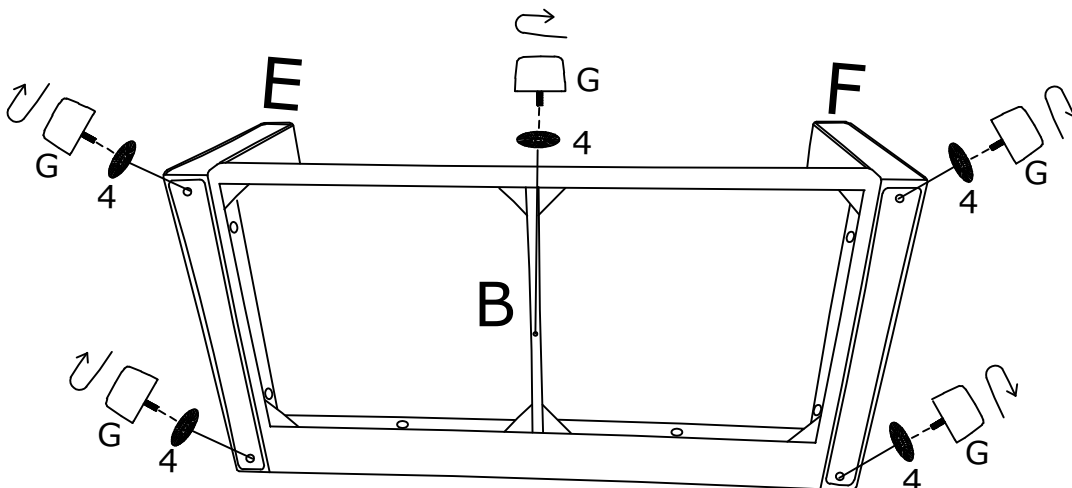
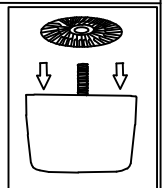
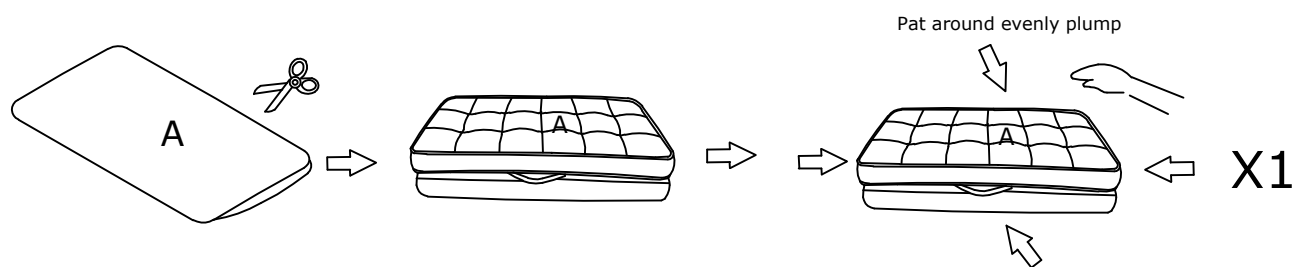


DIAGRAM 5 (Removal of compression bags)

Remove the Seat cushion (Parts A).



TIPS:

1. Please do not open the compressed packages until your sofa frame is completely assembled.
2. Compressed back cushions and pillows need to be fully fulfilled within 72 hours for your perfect use.
3. Please keep children away from plastic bags or any small pieces of stuff.

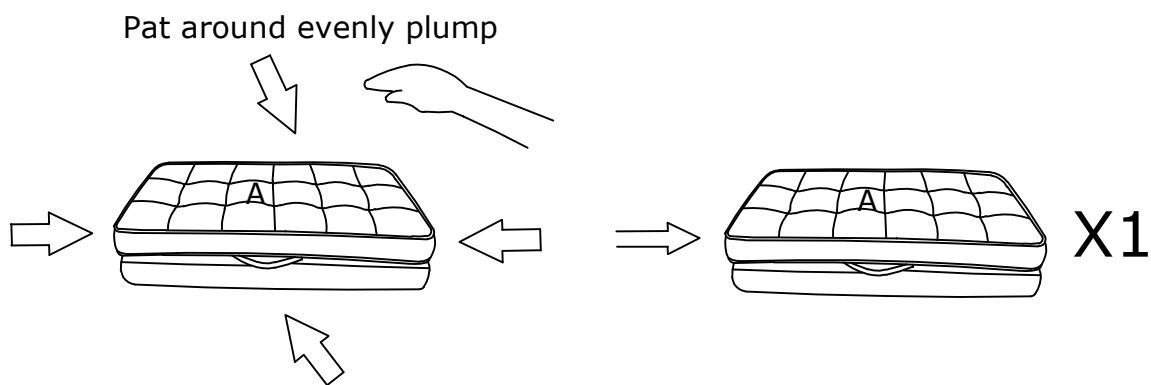


DIAGRAM 6 (Assemble the Seat cushion)

Connect the Seat cushion (Parts A) to the Seat frame (Parts B).

Please align the chain first and then pinch the zipper gently and close it smoothly.

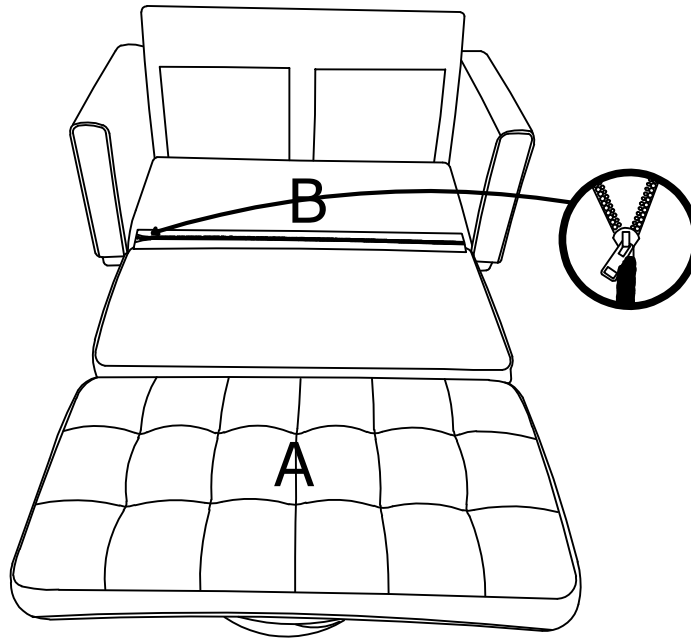
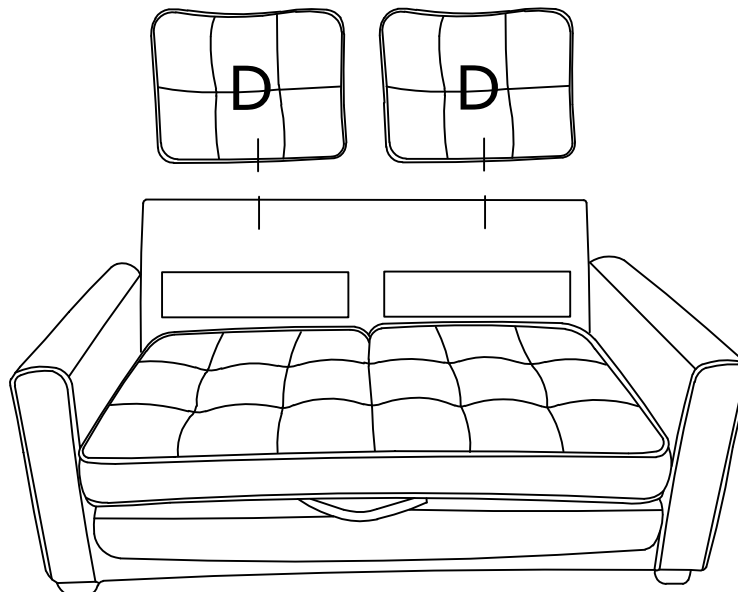


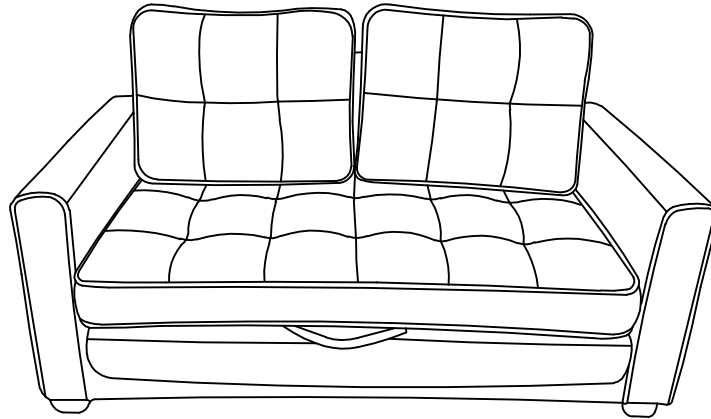
DIAGRAM 7 (Place the Back cushion on the sofa)

Put the Back cushion (Parts D).



TIPS:

1. Please do not open the compress packaging until your sofa frame is completely assembled.
2. Compress back cushions and pillows need to be fully fulfilled within 72 hours for your perfect use.
3. Please keep children away from plastic bags or any small pieces of stuff.



or

