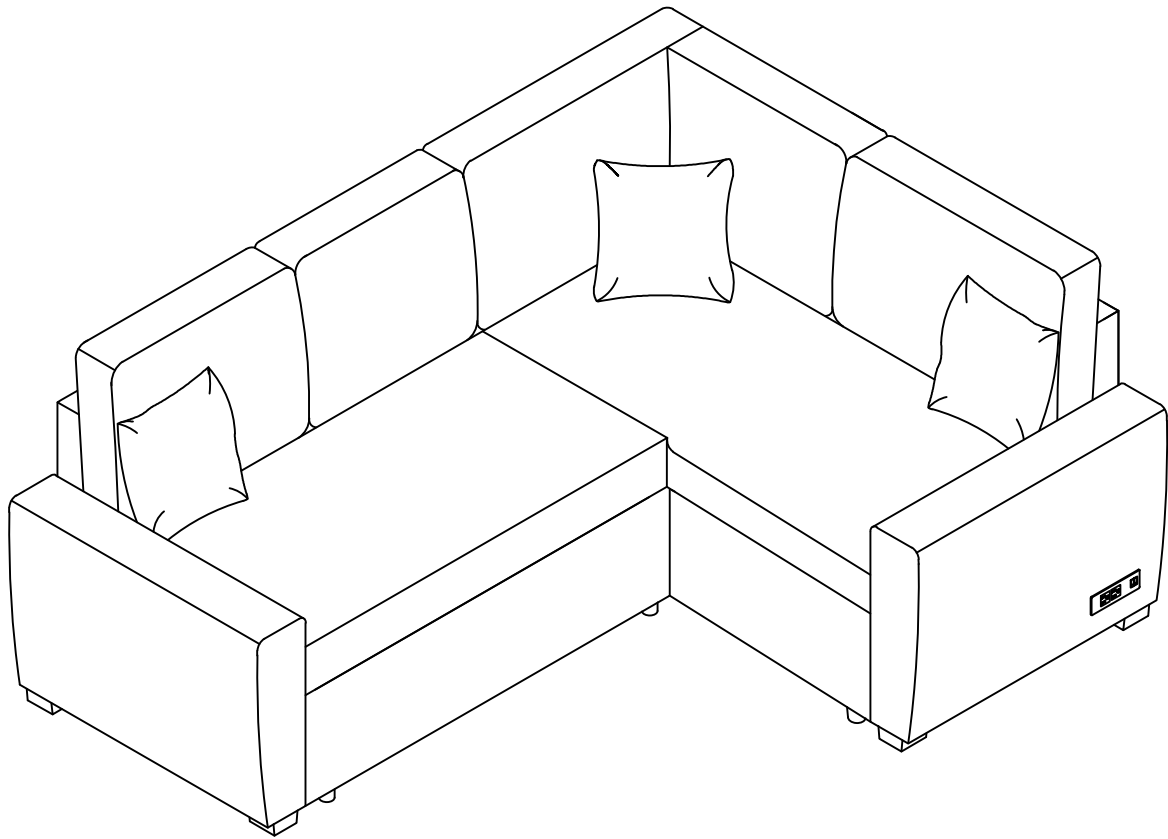
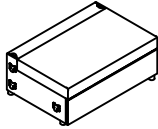

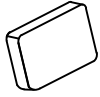


ASSEMBLY INSTRUCTION

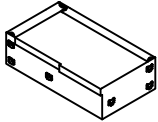
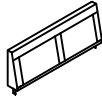
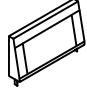
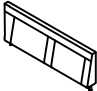





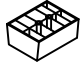


ITEM NO.: WF310702-WF310703-WF310704



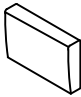
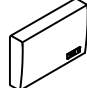
WF310702-COMPONENT LIST

NO.	DRAWING	QTY	DESCRIPTION
B		1	Loveseat Body
J		2	Pillows
H		2	Loveseat Back Cushion

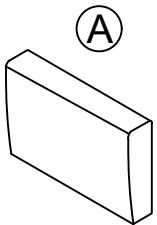
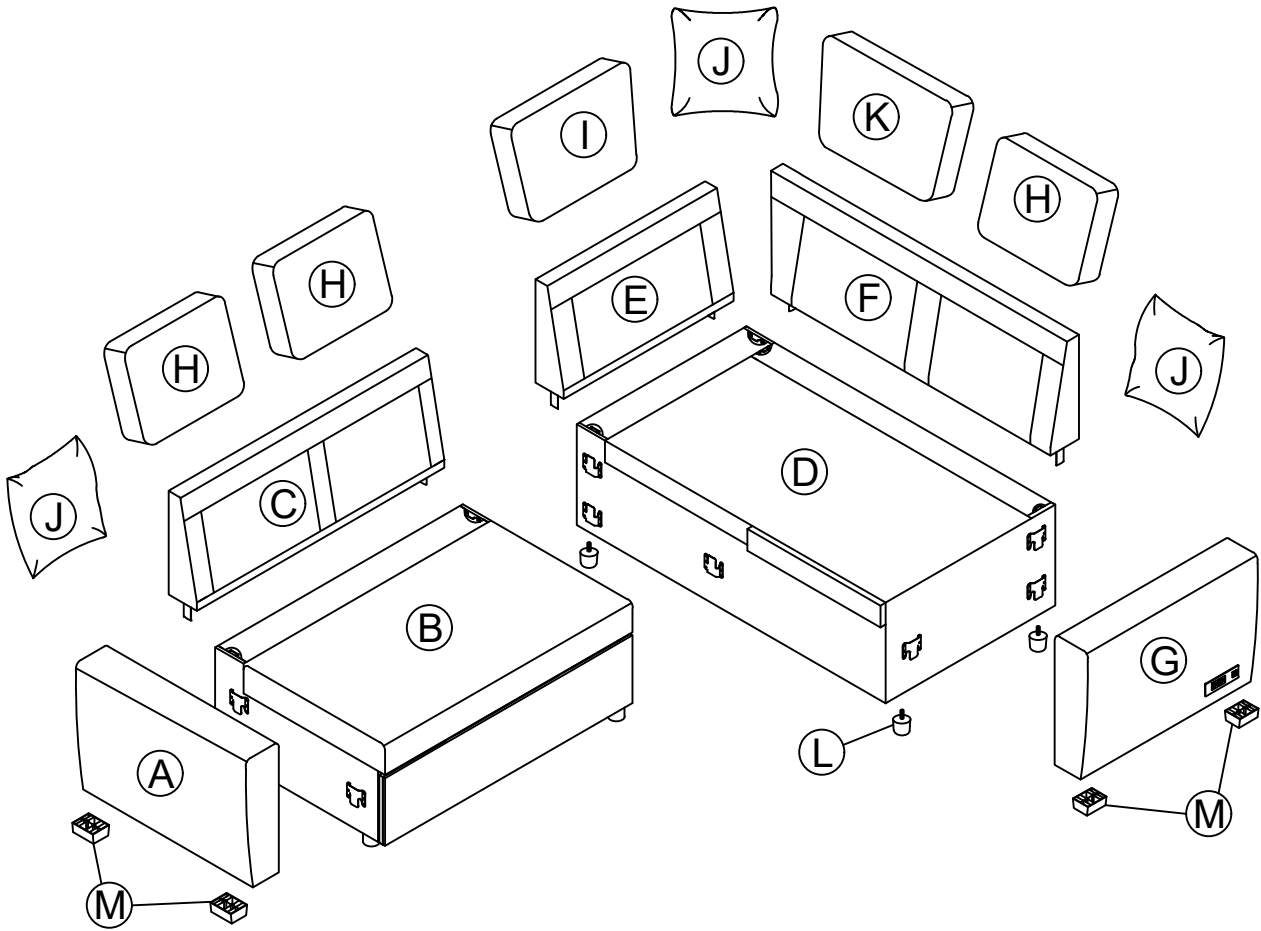
WF310703-COMPONENT LIST

NO.	DRAWING	QTY	DESCRIPTION
D		1	Chair Body
C		1	Loveseat Back Frame
E		1	Short Back Frame
F		1	Chaise Back Frame
I		1	Short Back Cushion
K		1	Long Back Cushion
H		1	Loveseat Back Cushion
L		4	Legs
J		1	Pillows
M		4	Arm Legs
N		8	Bolt
P		1	Allen key

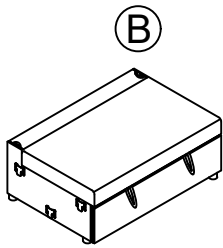
WF310704-COMPONENT LIST

A		1	Left Arm
G		1	Right Arm

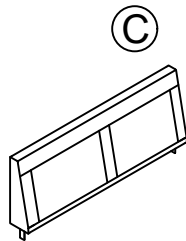
PARTS LIST



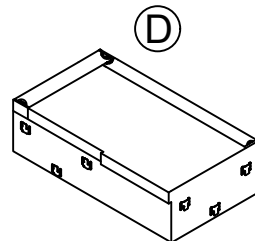
A
Left Arm
X 1PC



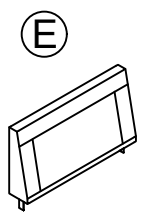
B
Loveseat Body
X 1PC



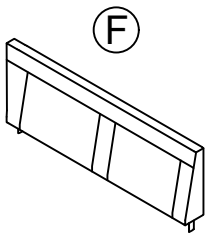
C
Loveseat Back Frame
X 1PC



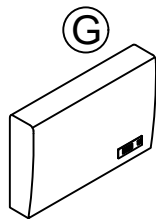
D
Chair Body
X 1PC



E
Short Back Frame
X 1PC



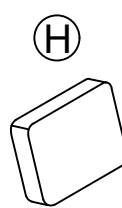
F
Chair Back Frame
X 1PC



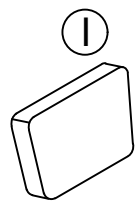
G
Right Arm X
1PC



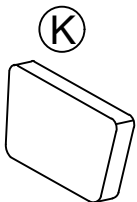
J
Pillows
X 3PCS



H
Loveseat Back Cushion
X 3PCS



I
Short Back Cushion
X 1PC



K
Long Back Cushion
X 1PC



L
Legs
X 4PCS



M
Square Leg
X 4PCS



N
Bolt 5/16"X50mm
X 8PCS

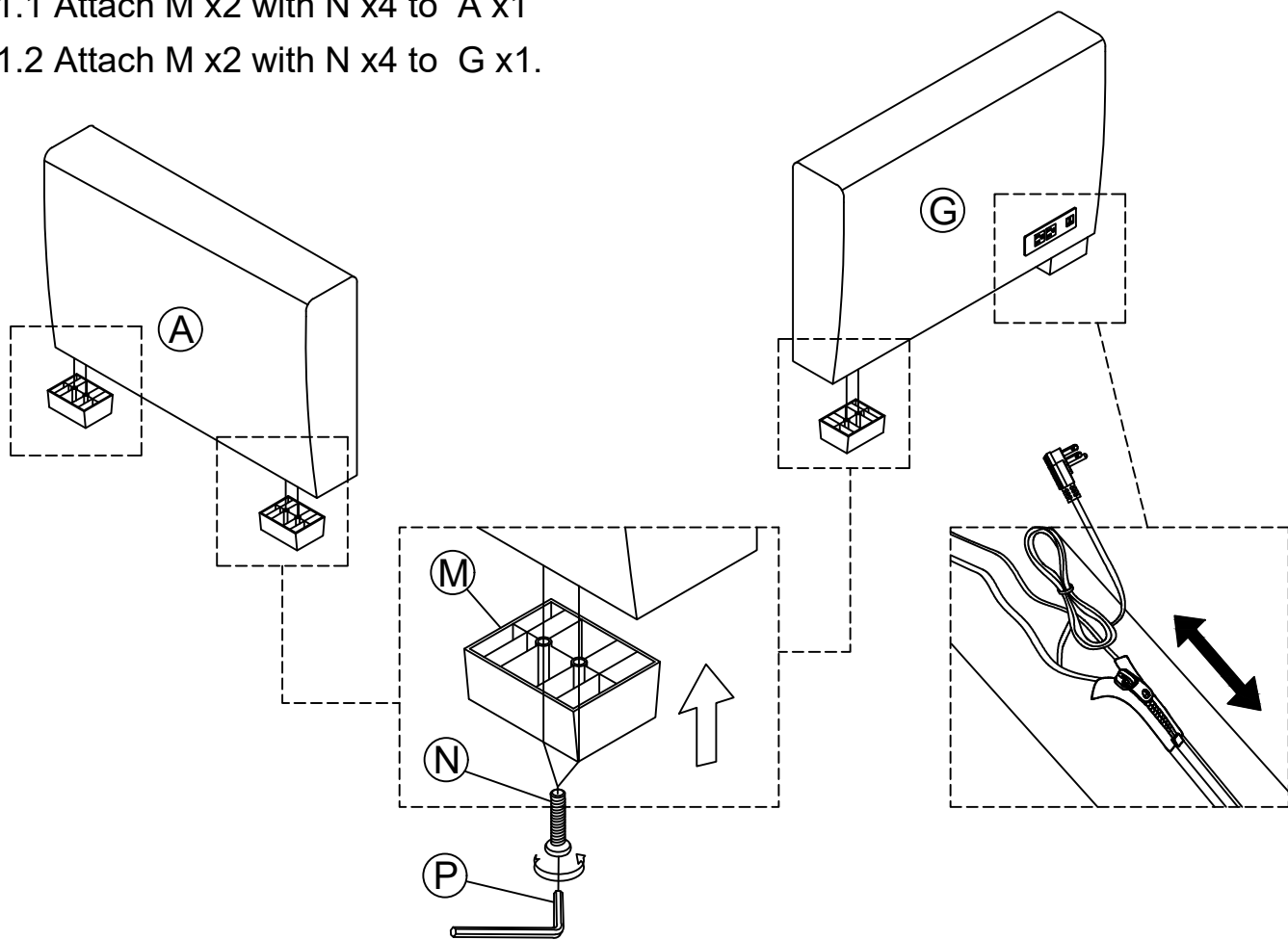


P
Allen key
1PC

STEP 1:

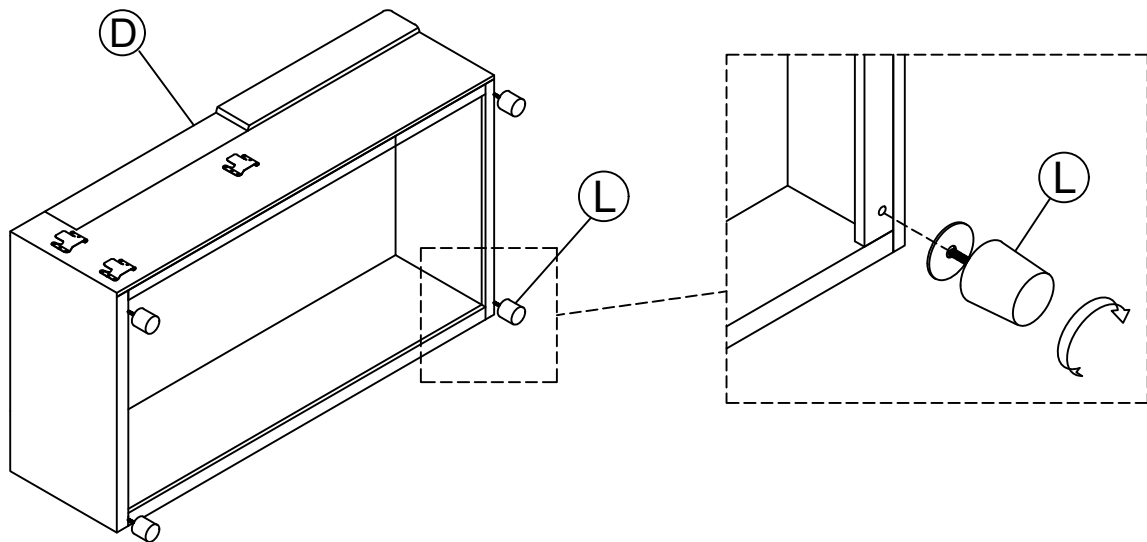
1.1 Attach M x2 with N x4 to A x1

1.2 Attach M x2 with N x4 to G x1.



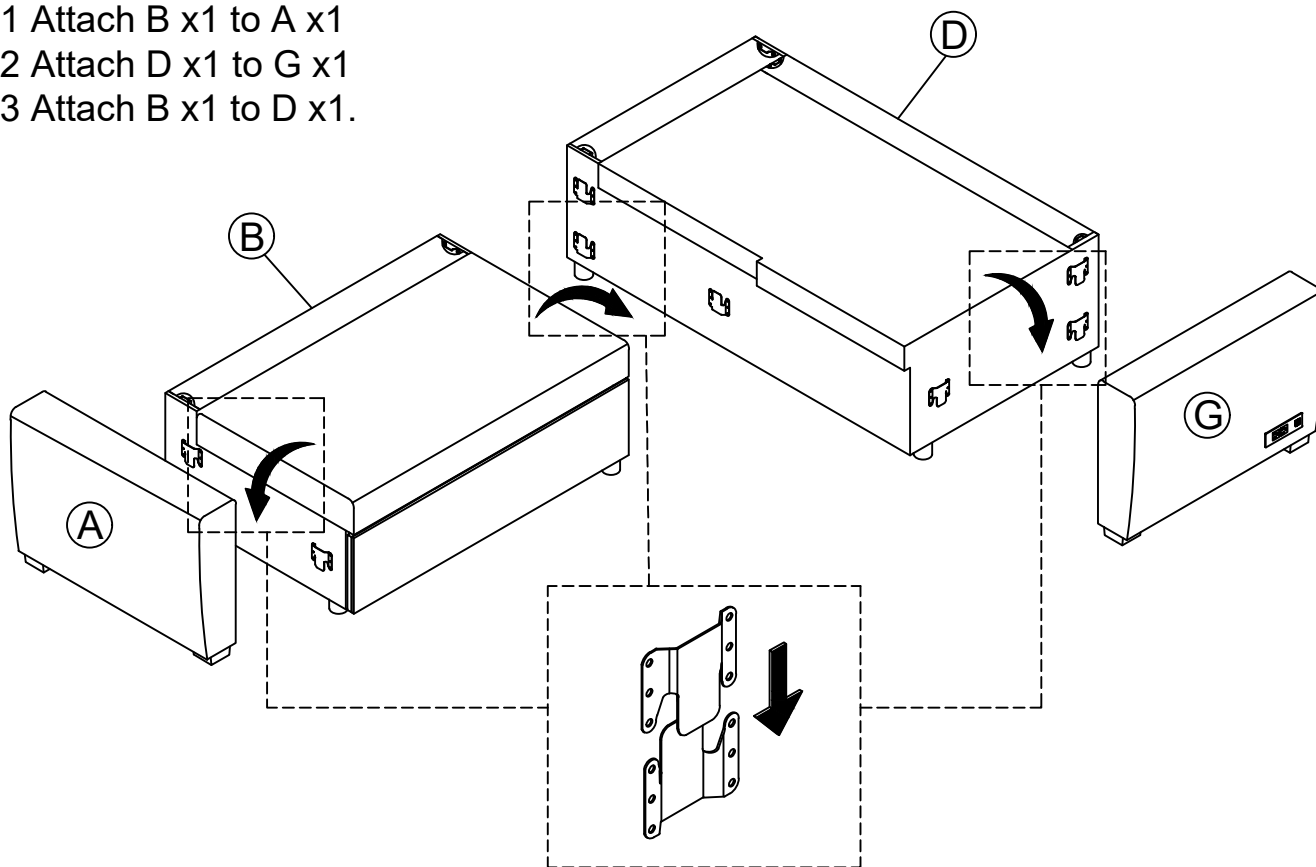
STEP 2:

2.1 Attach L x4 to D x1.



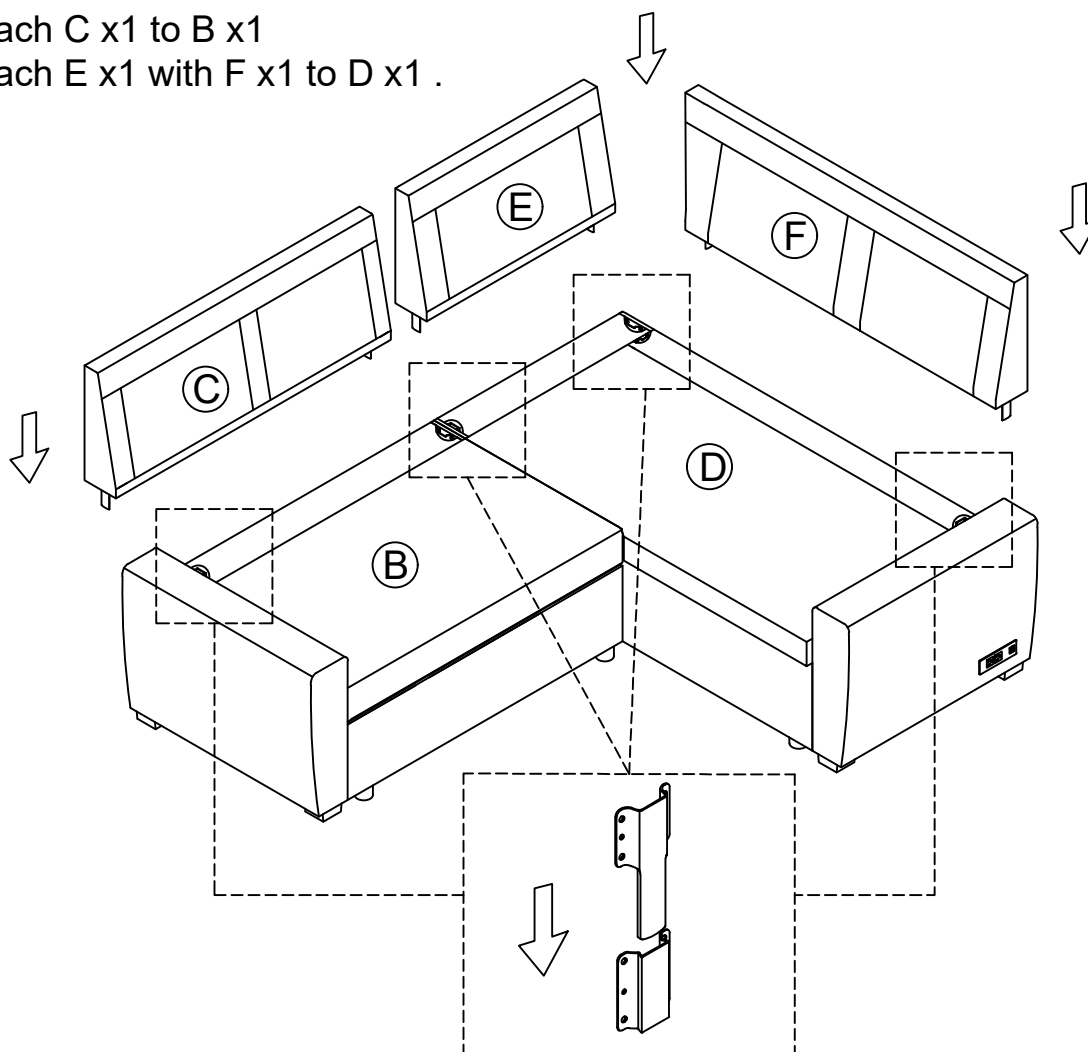
STEP 3:

- 3.1 Attach B x1 to A x1
- 3.2 Attach D x1 to G x1
- 3.3 Attach B x1 to D x1.



STEP 4:

- 4.1 Attach C x1 to B x1
- 4.2 Attach E x1 with F x1 to D x1 .

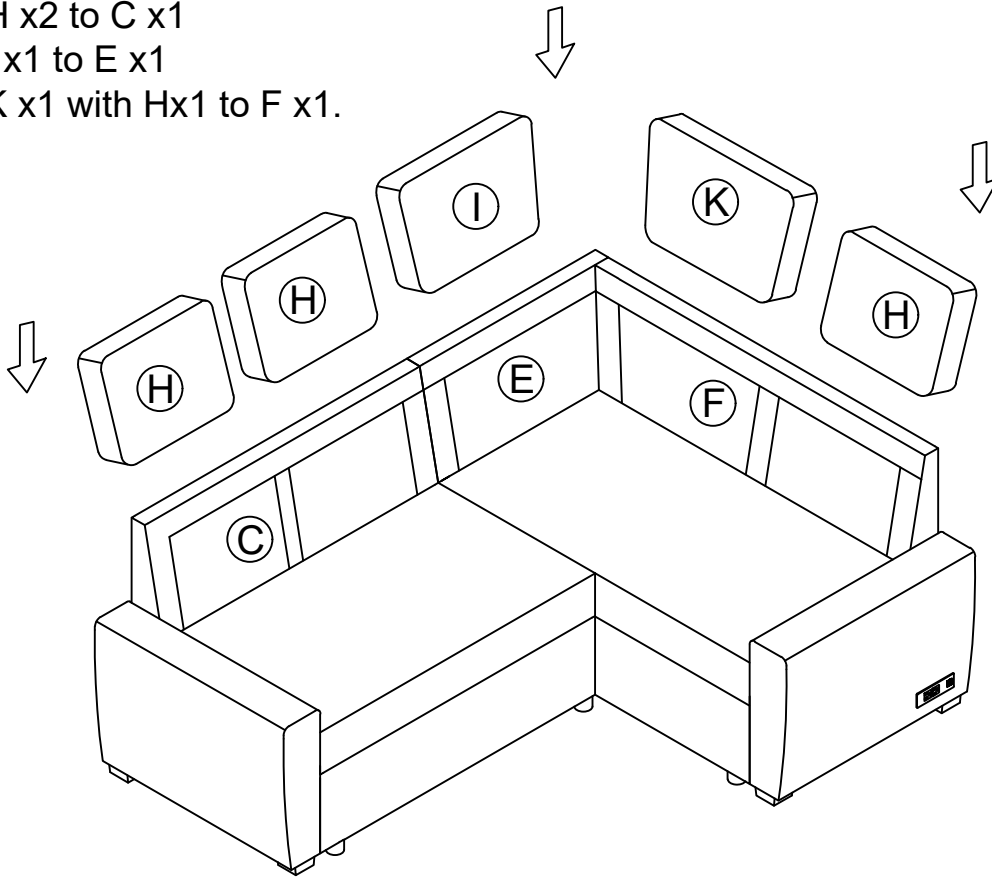


STEP 5:

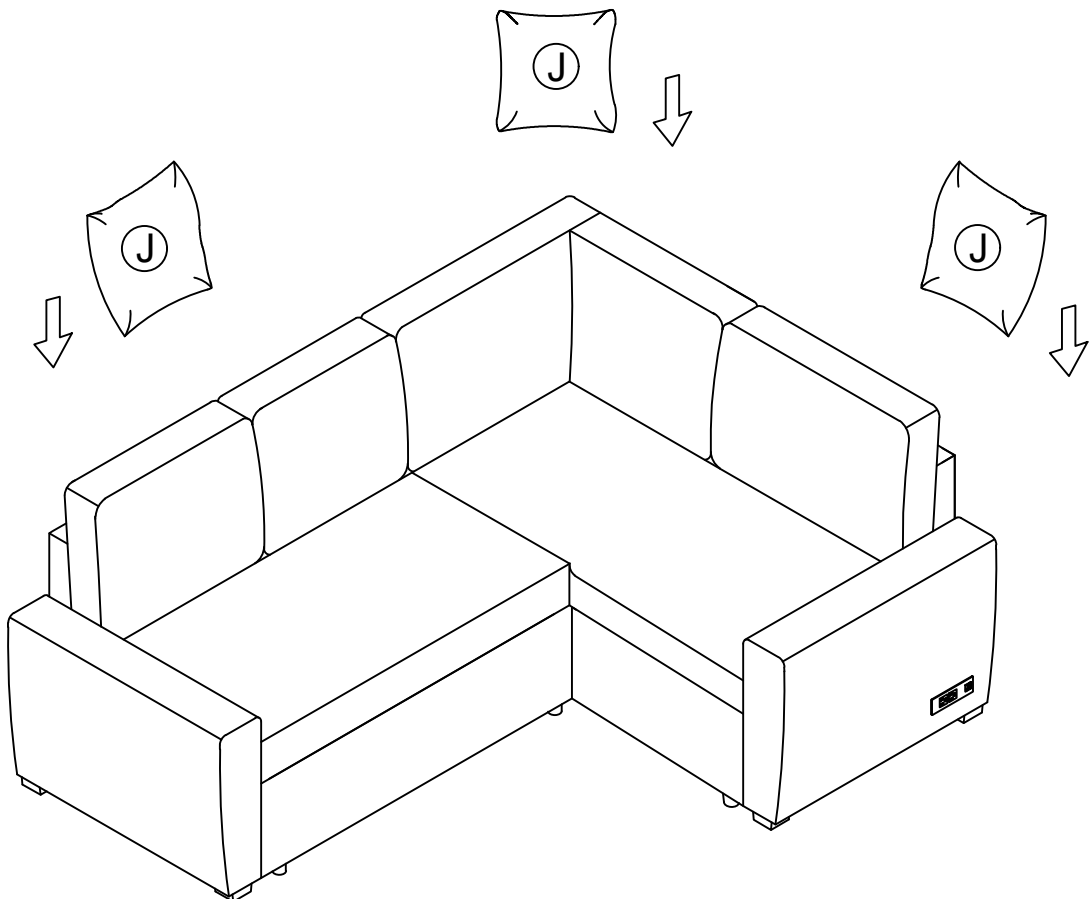
5.1 Attach H x2 to C x1

5.2 Attach I x1 to E x1

5.3 Attach K x1 with Hx1 to F x1.

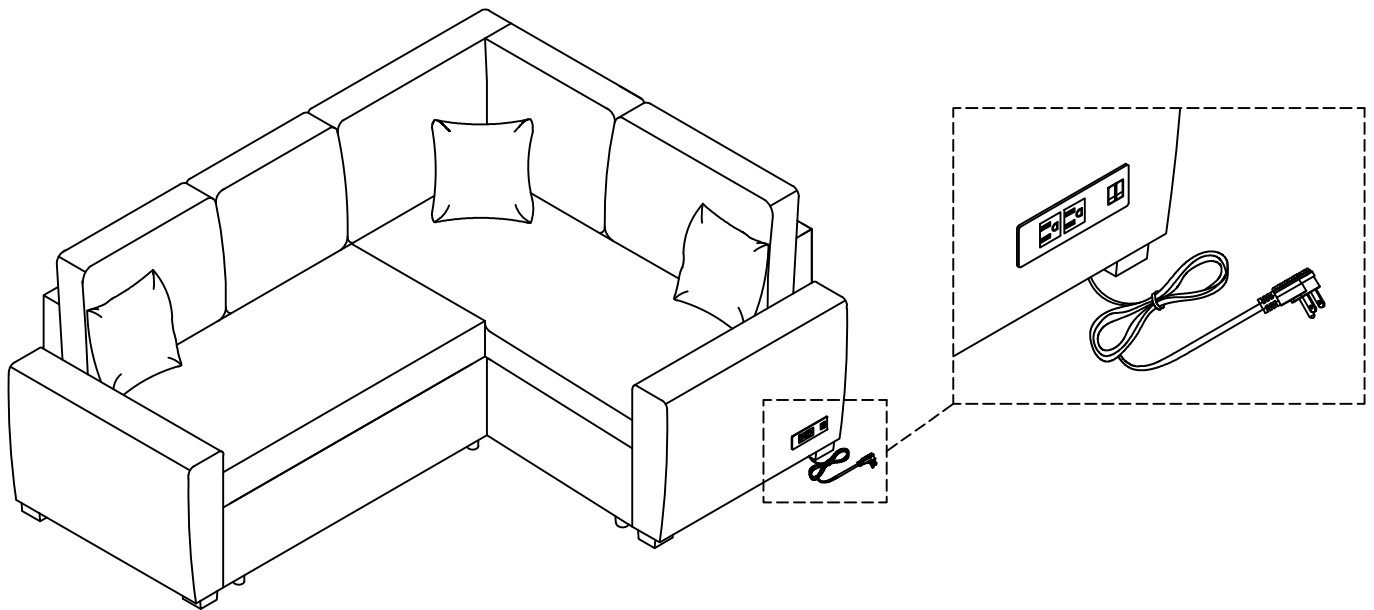


STEP 6:



Helpful Hints

- Sectional sofa can transform into a sleeper
- Move your new furniture carefully, with two people lifting and carrying the unit to its new location.
- Your furniture can be disassembled and reassembled to move.
- Clean the product with a soft damp cloth. DO NOT use harsh chemicals or abrasive cleaners.



COMPLETE

