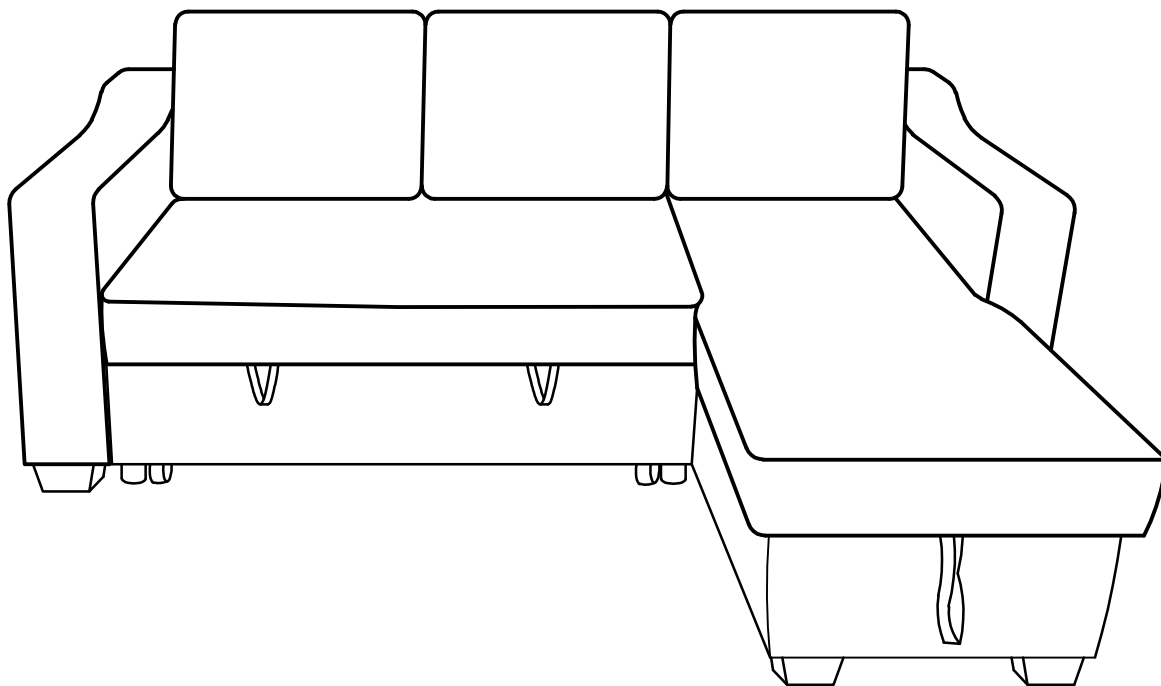


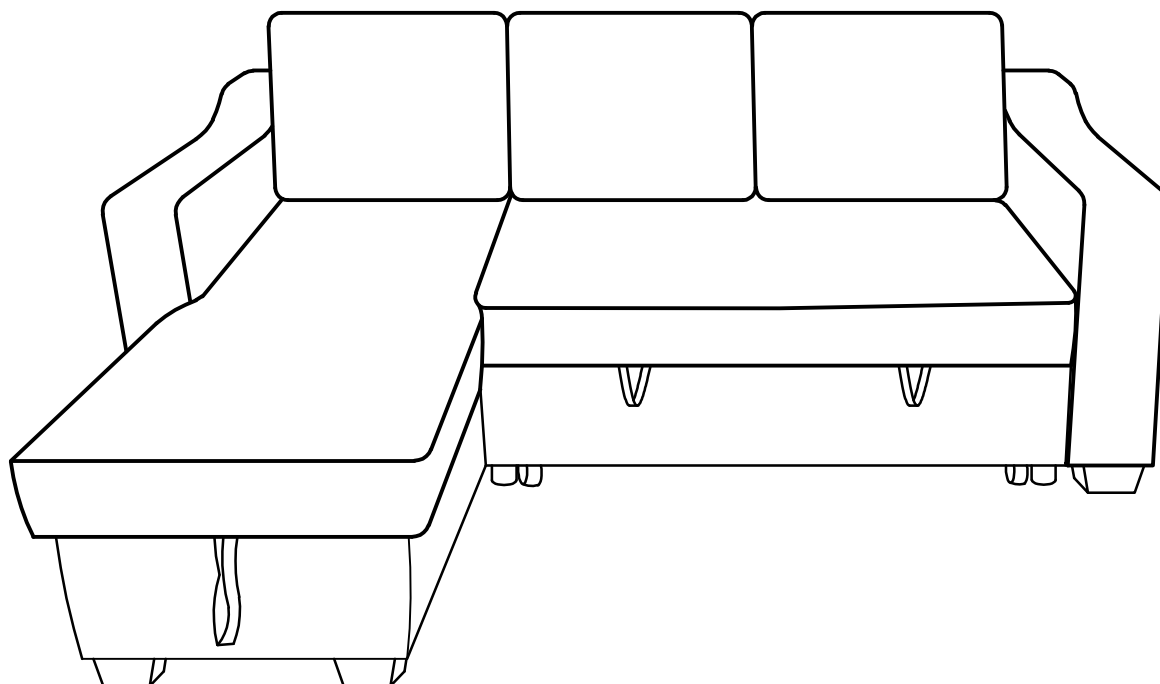
ASSEMBLY INSTRUCTIONS

ITEM# WF315824/ WF315825/ WF315826

Right Facing Chaise



Left Facing Chaise



ASSEMBLY INSTRUCTIONS

ITEM# WF315824/ WF315825/ WF315826

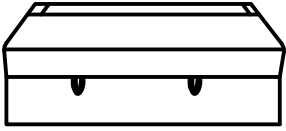


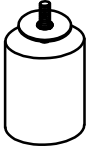

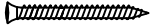
IMPORTANT NOTE

- ** Place all parts on a lean and smooth surface such as a rug or carpet to avoid the parts from being scratched.
- ** Before you begin, please review the assembly instruction step by step.
- ** Return & Warranty policy:
 - We strive to offer the highest quality products. We also provide positive solutions with replacements or refund if needed.
 - If the item is damaged or defective, please take photos to show the problem and email to the seller.
 - Please do not return back the products before contact the seller.

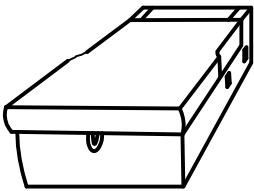

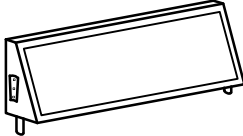

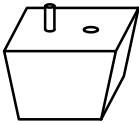
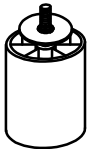
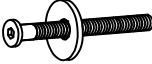

ASSEMBLY INSTRUCTIONS

ITEM# WF315824/ WF315825/ WF315826

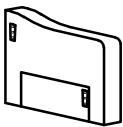
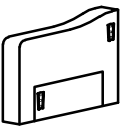


PART LISTS BOX1: WF315824

A  LOVESEAT (1 PC)	G  CUSHION BACK (2 PCS)	H  DECORATIVE PILLOWS(1PC)
2  LEG (4 PCS)	3  WHEEL (4 PCS)	5  SCREW M4*30 (16PCS)

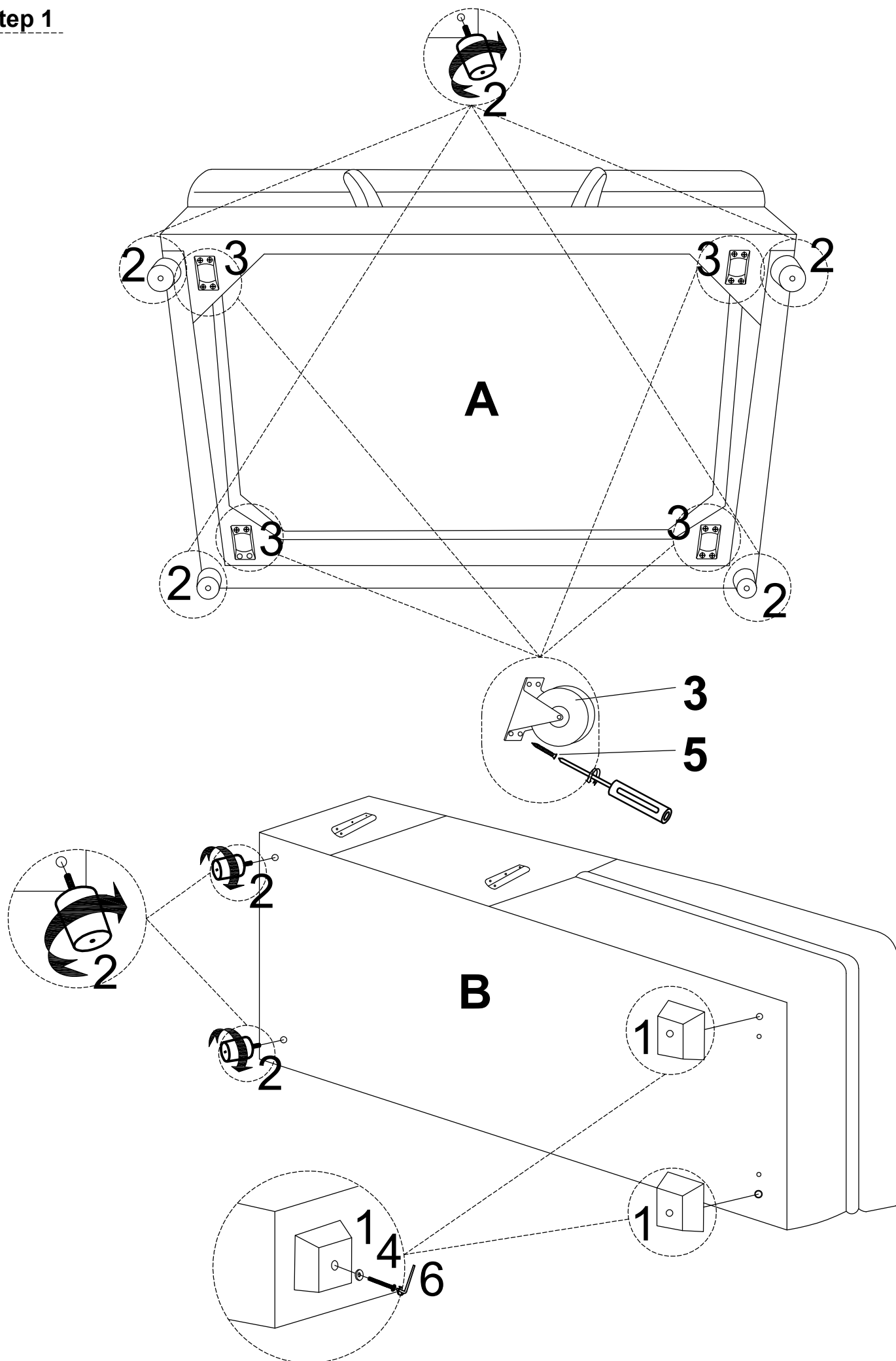
PART LISTS BOX 2: WF315825

B  CHAISE (1 PC)	D  CHAISE BACKREST (1 PC)	C  LOVESEAT BACKREST (1 PC)	G  CUSHION BACK (1 PC)
1  LEG (6 PCS)	2  LEG (2 PCS)	4  BOLT 5/16x60 MM (6 PCS)	6  ALLEN KEY (1PC)

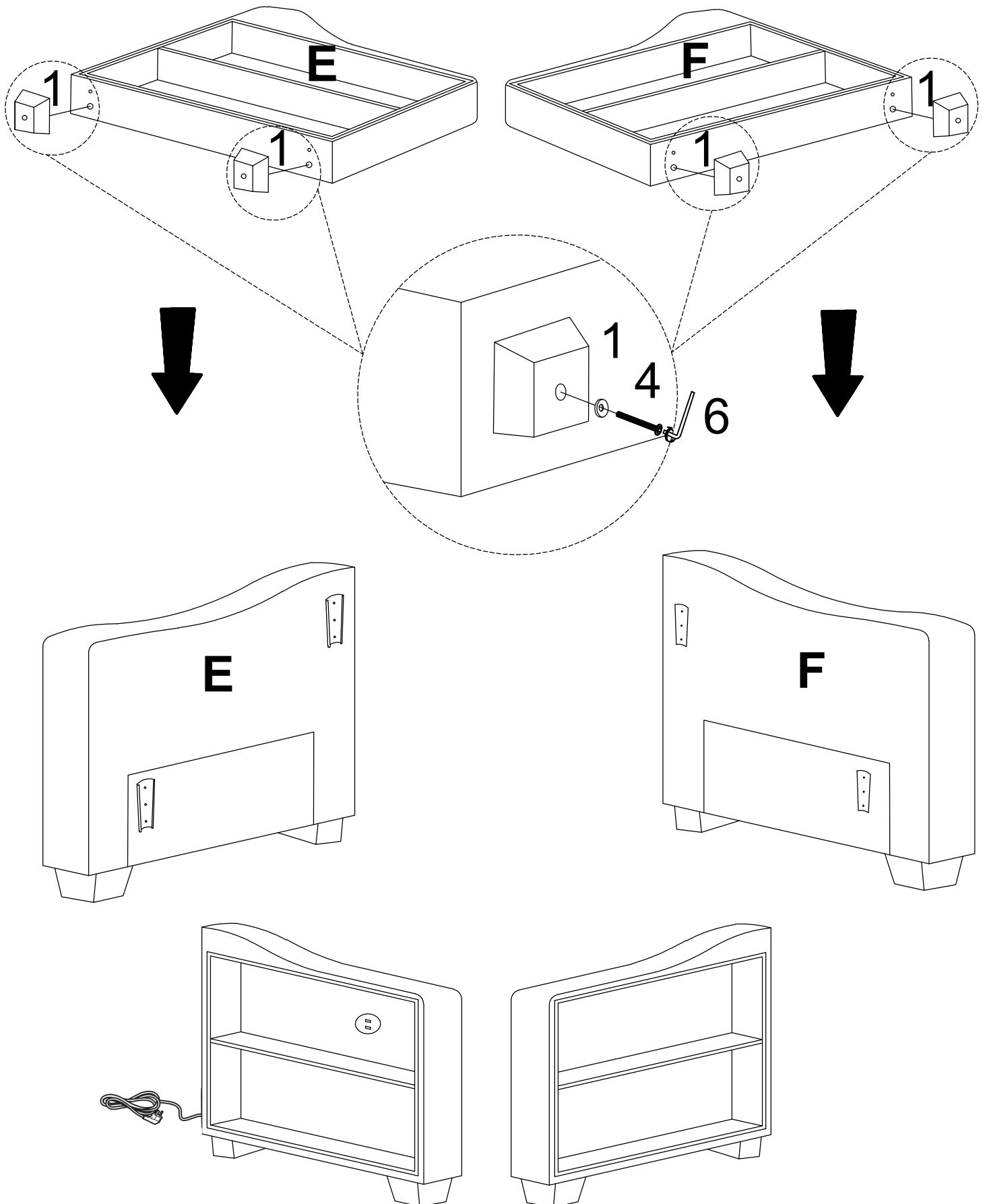
PART LISTS BOX 3: WF315826

F  RIGHT ARM (1 PC)	E  LEFT ARM (1PC)	H  DECORATIVE PILLOWS (1PC)
 Phillips Screwdriver (Not included)		

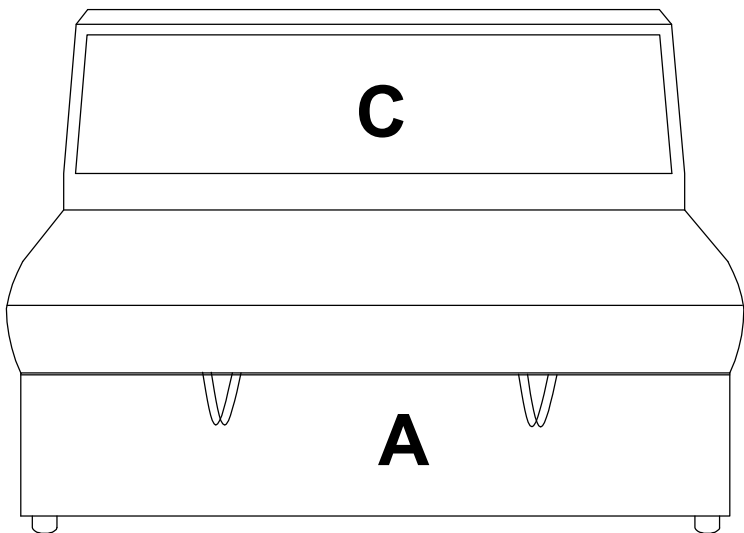
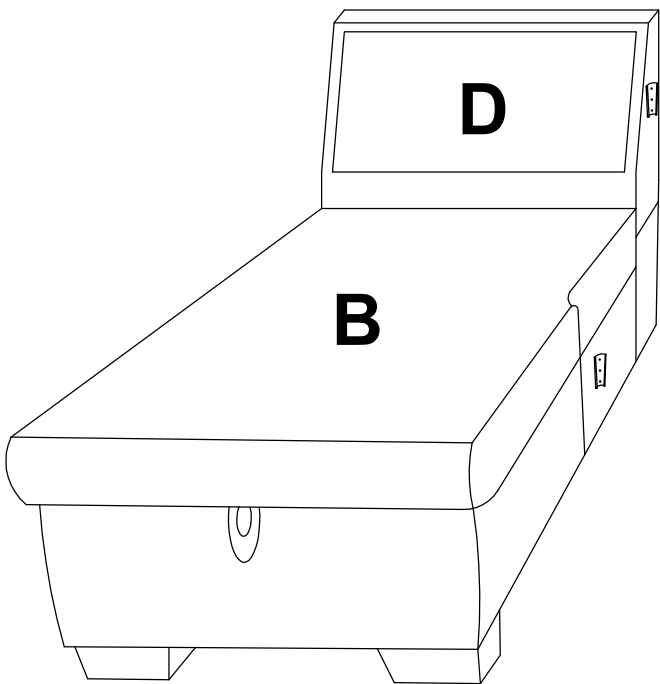
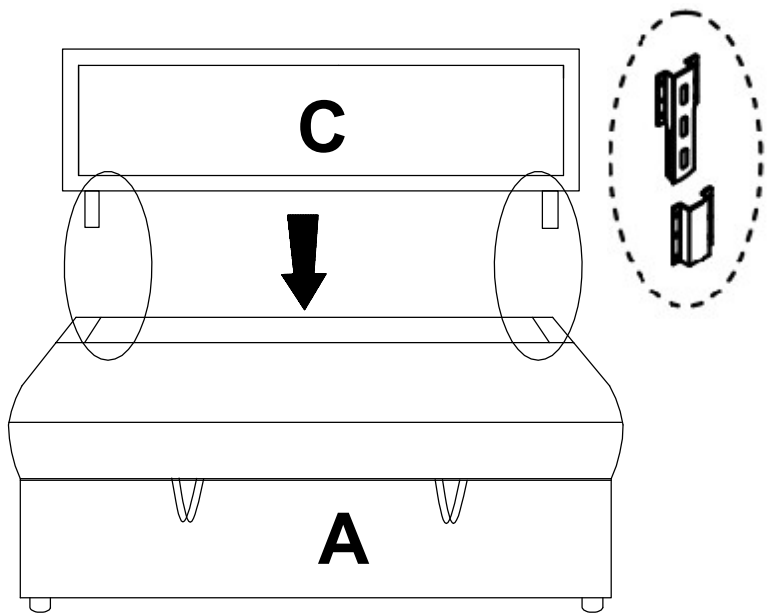
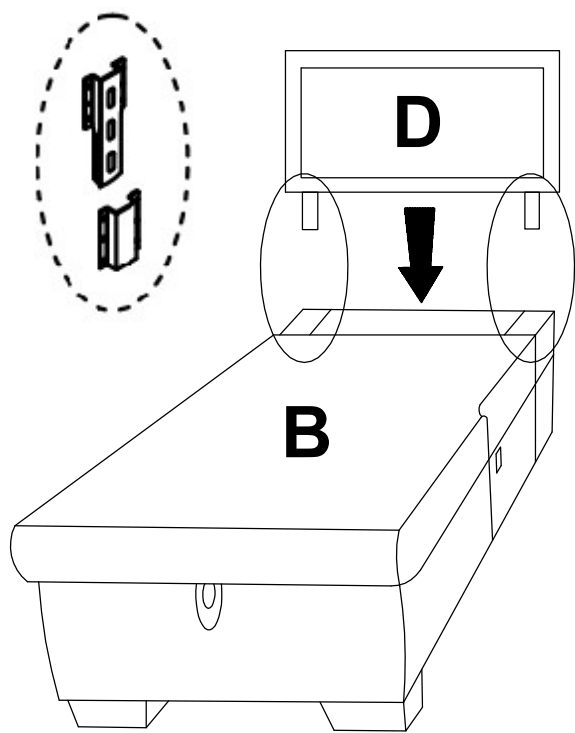
Step 1



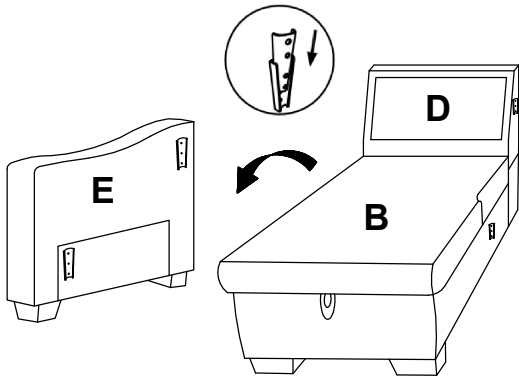
Step 2



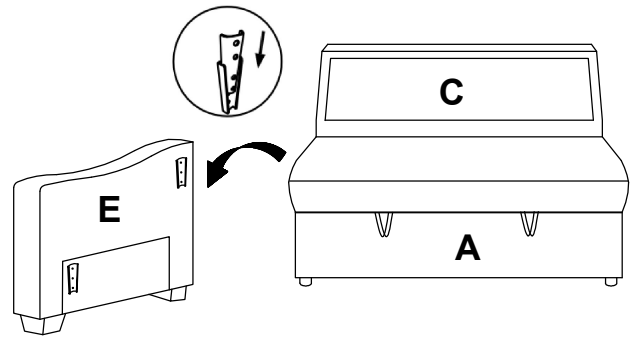
Step 3:



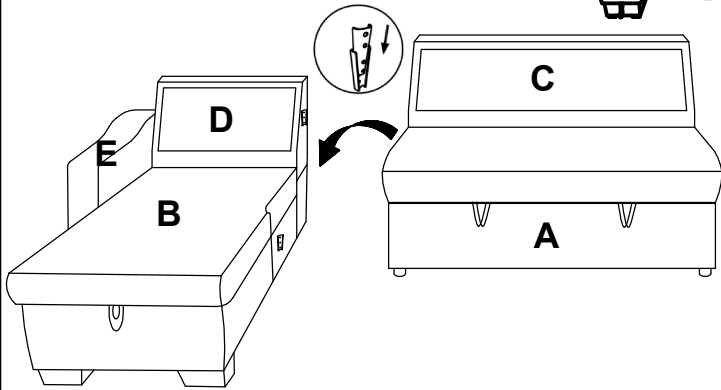
Step 4: Chaise is on the Left



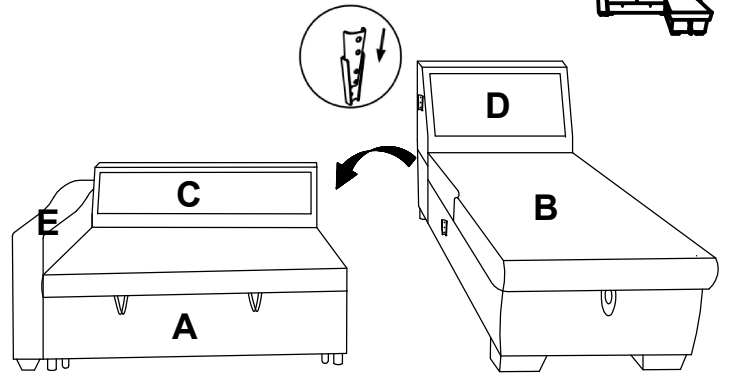
Chaise is on the Right



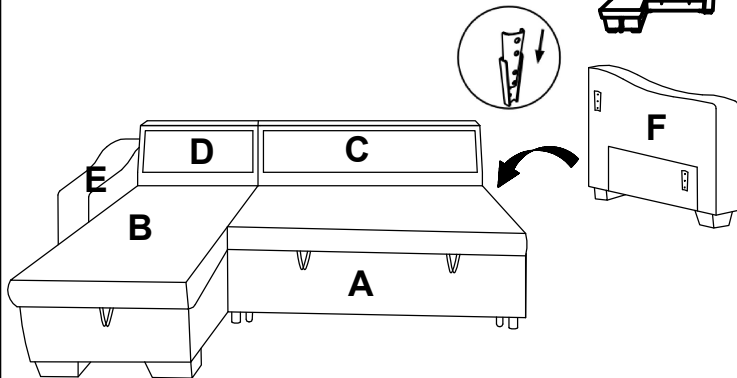
Step 5: Chaise is on the Left



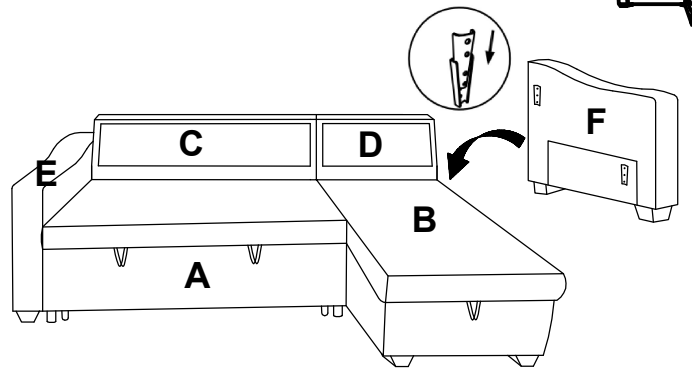
Chaise is on the Right



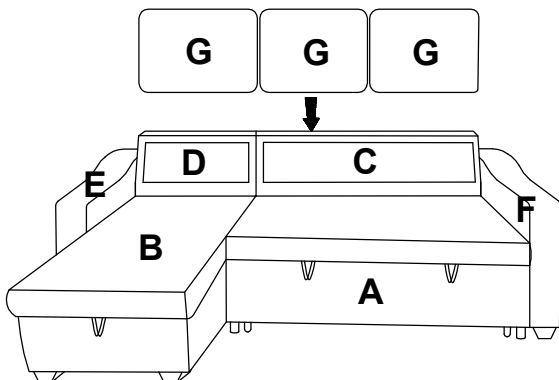
Step 6: Chaise is on the Left



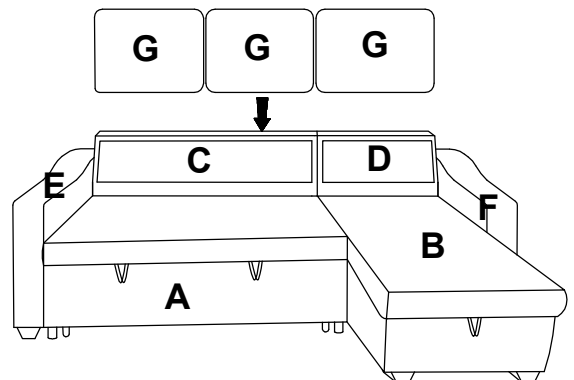
Chaise is on the Right



Step 7: Chaise is on the Left

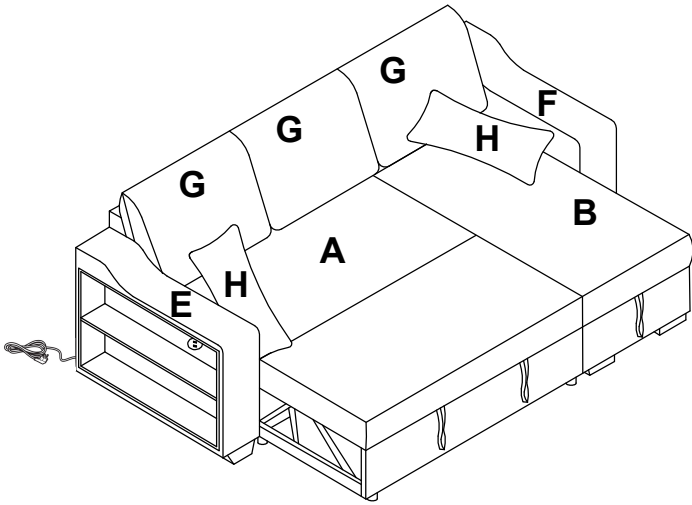


Chaise is on the Right

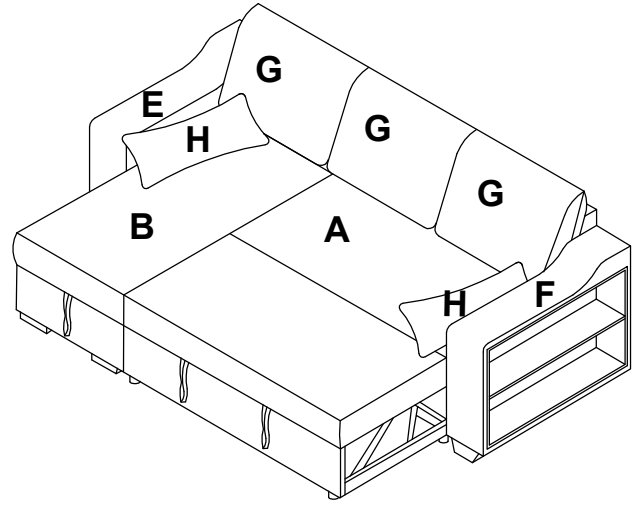


Step 8: Assembly Complete

Chaise is on the Right

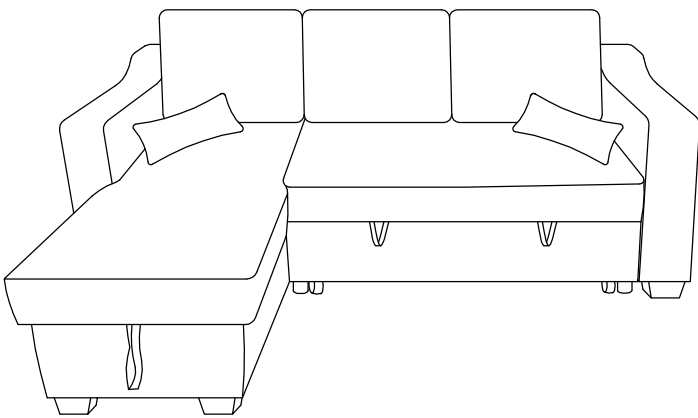


Chaise is on the Left



Assembly Complete

Chaise is on the Left



Assembly Complete

Chaise is on the Right

