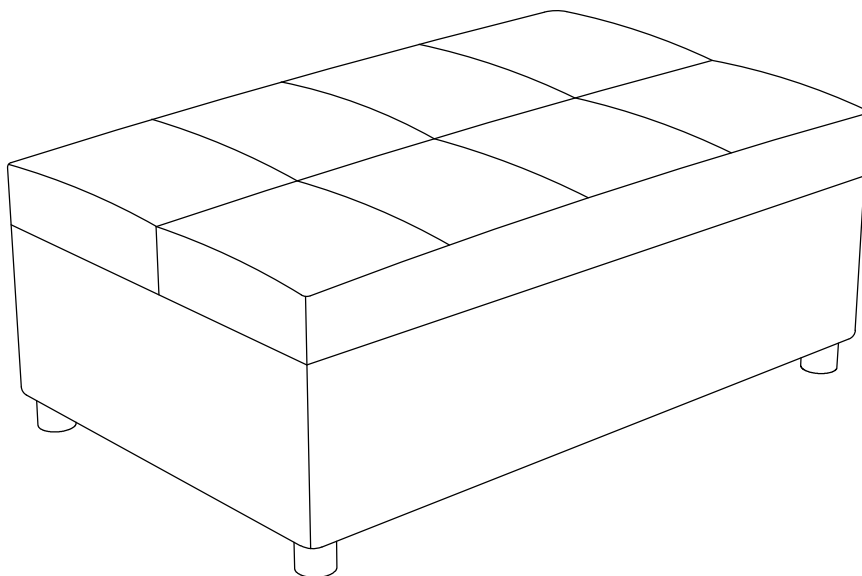
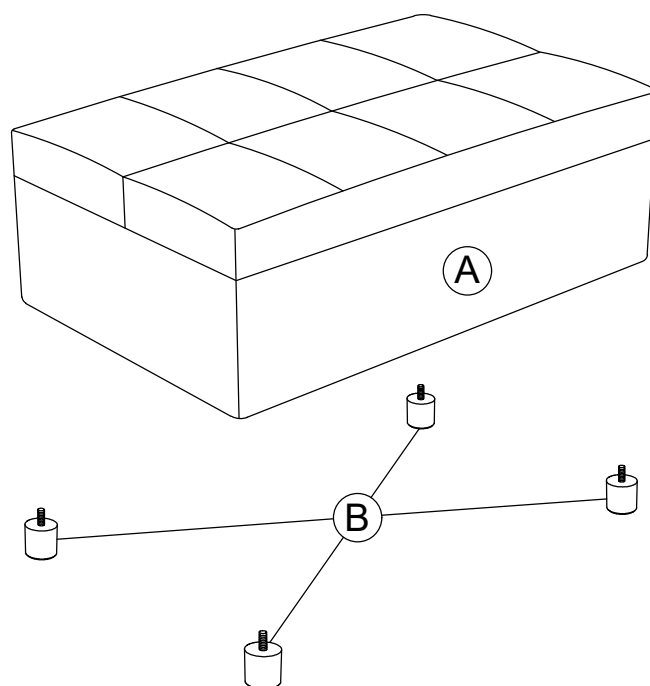


ASSEMBLY INSTRUCTION

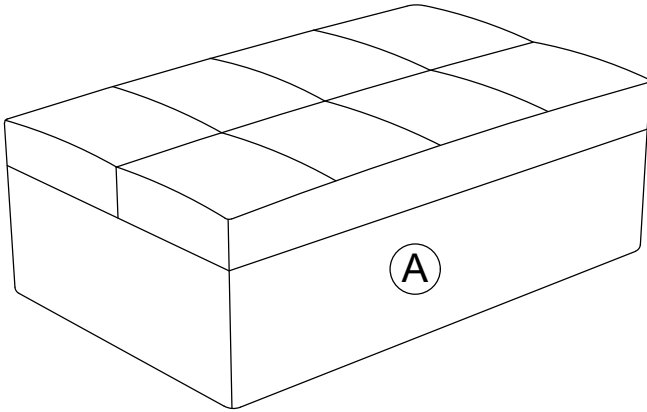
ITEM NO.: WF308613



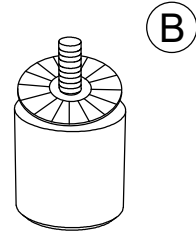
PARTS



PARTS LIST



Chair Body
X 1PC

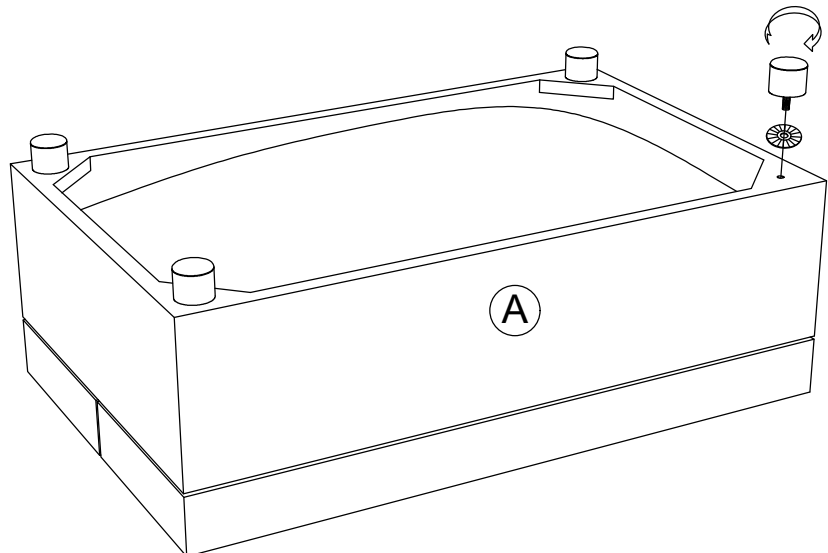
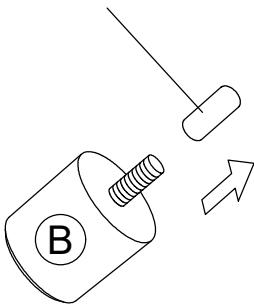


Legs
X 4PCS

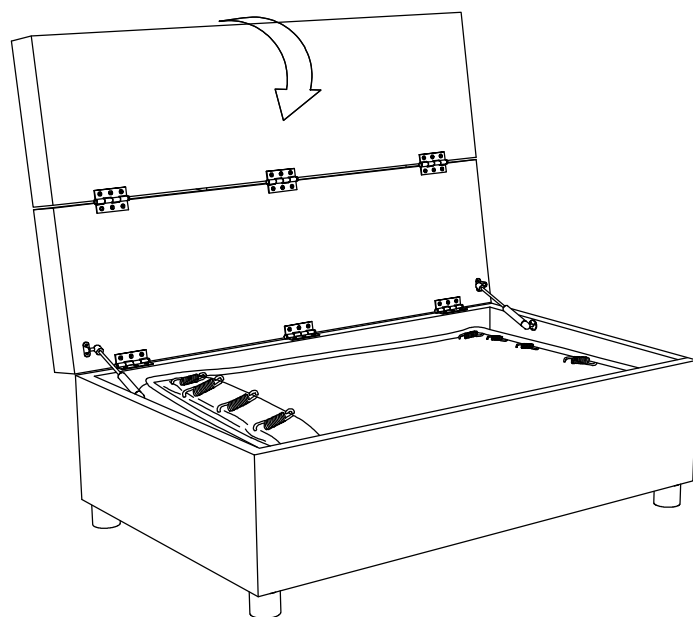
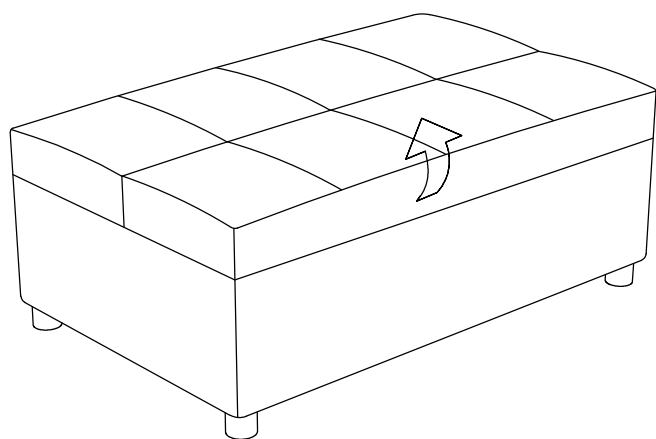
STEP 1:

1.1 Attach B x 4 to A x 1.

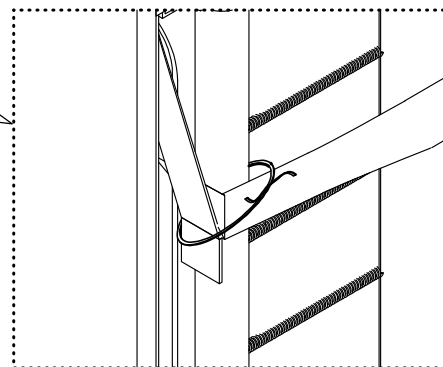
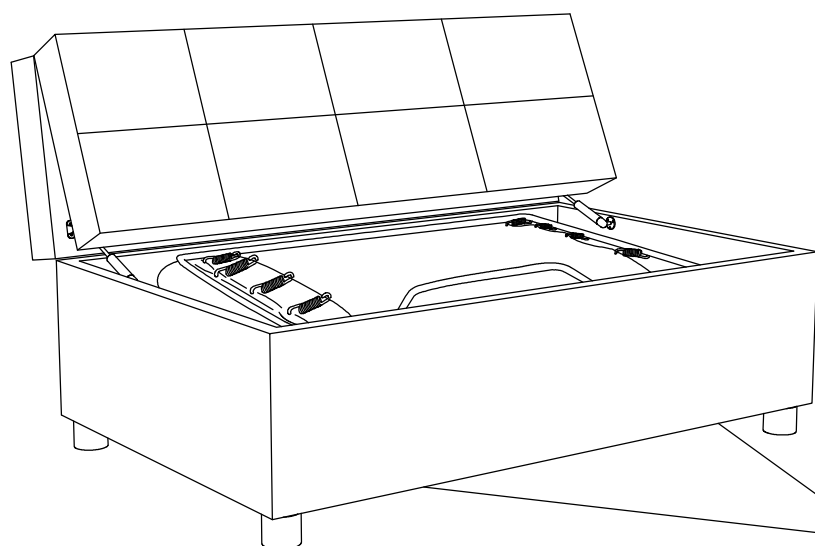
Please remove the protective cap on the tip of thread before assembling.



STEP 3:

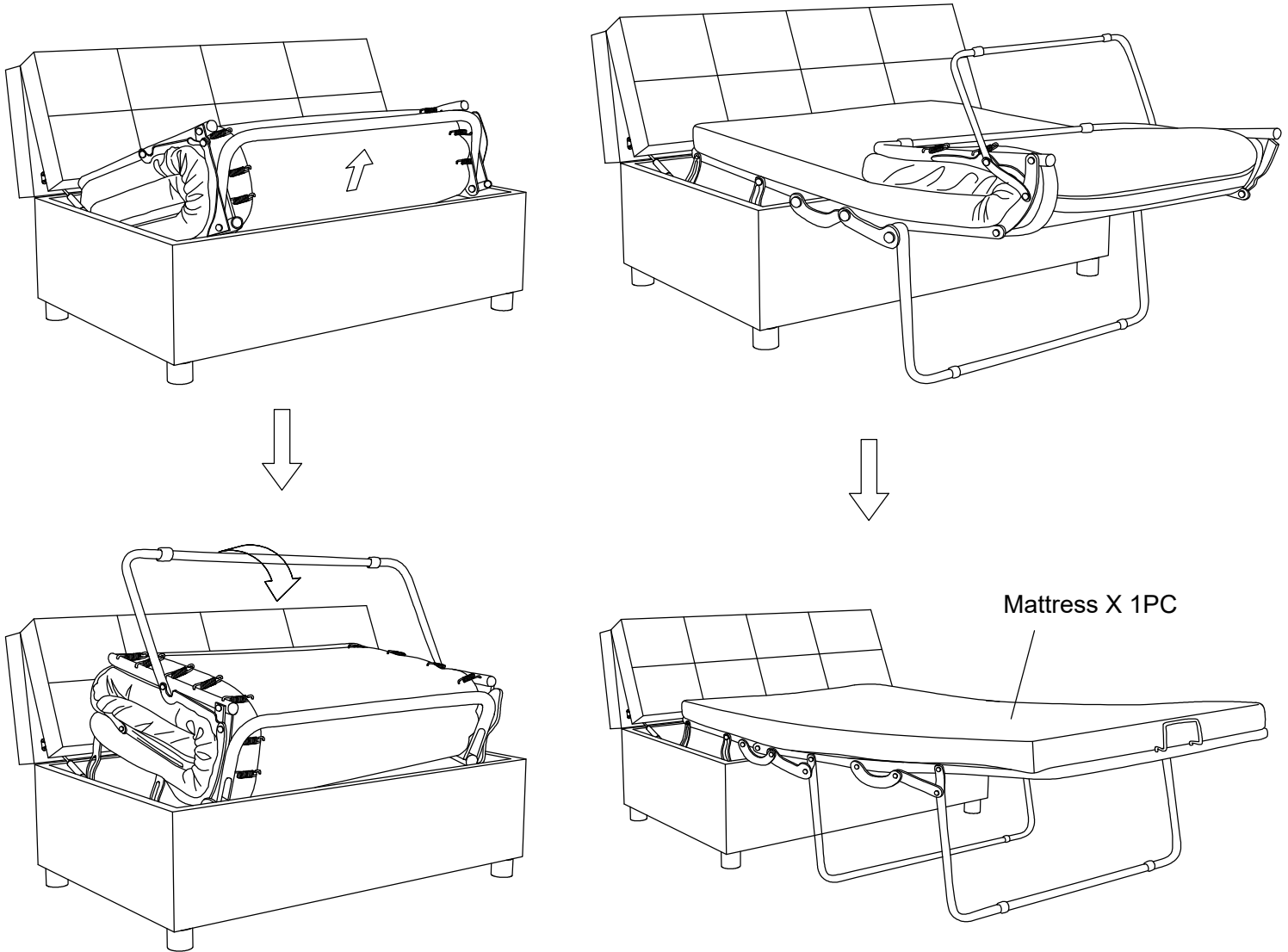


STEP 2: The folding bed assembly has been secured with Tie-wraps for transportation purposes. **DO NOT** remove the tie-wraps on the front of bars of the assembly until you have finished Step X of the assembly process.



Helpful Hints

- Ottoman can transform into sleeper.
- Move your new furniture carefully, with two people lifting and carrying the unit to its new location.
- Your furniture can be disassembled and reassembled to move.
- Clean the product with a soft damp cloth. DO NOT use harsh chemicals or abrasive cleaners.



DO NOT fold while
linens or cushions are
on the mattress.



DO NOT jump on bed.
DO NOT allow children to
open or close the sofa bed.

DO NOT allow children to play underneath sofa when in the bed position.