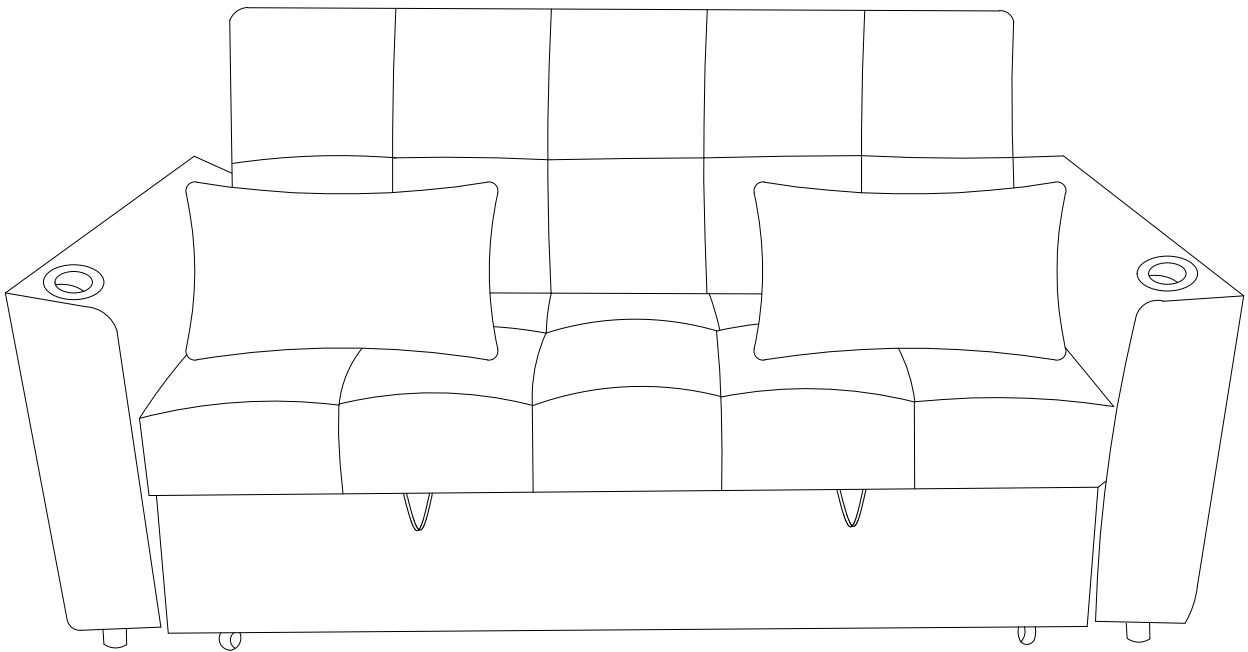


Assembly Instructions

WF303401/2

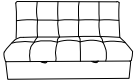
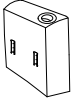

Your chair comes packaged in one box. Carefully remove all of components from the packaging and set aside for assembly.

CAUTION:
DO NOT use any sharp objects to open plastic wrapped components as damage to product or components may result.



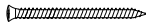
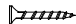


ASSEMBLY INSTRUCTIONS

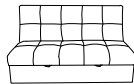



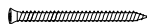
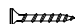
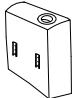
PARTS LIST

PART	DRAWING	DESCRIPTION	QTY
A		Seat frame	1
B		Arm (L&R)	2
C		Pillow	2

HARDWARE LIST

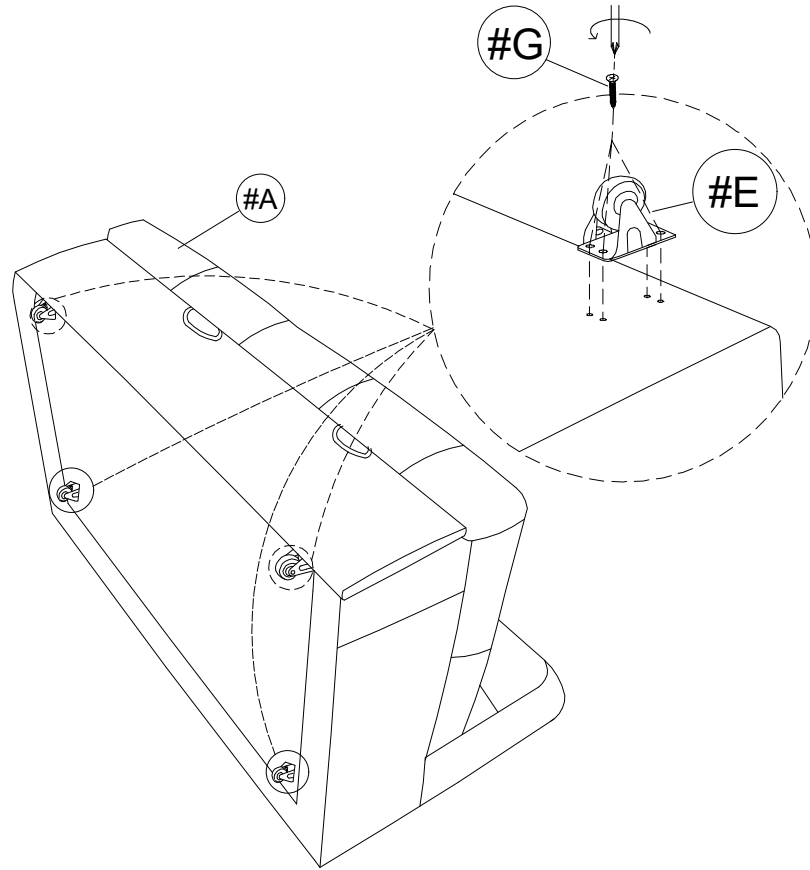
PART	DRAWING	DESCRIPTION	QTY
D		LEG	4
E		Roller	4
F		Screw M8 x 45mm	4
G		Screw #8 x 25mm	16

WF303401AAB- is packed in 2 cases

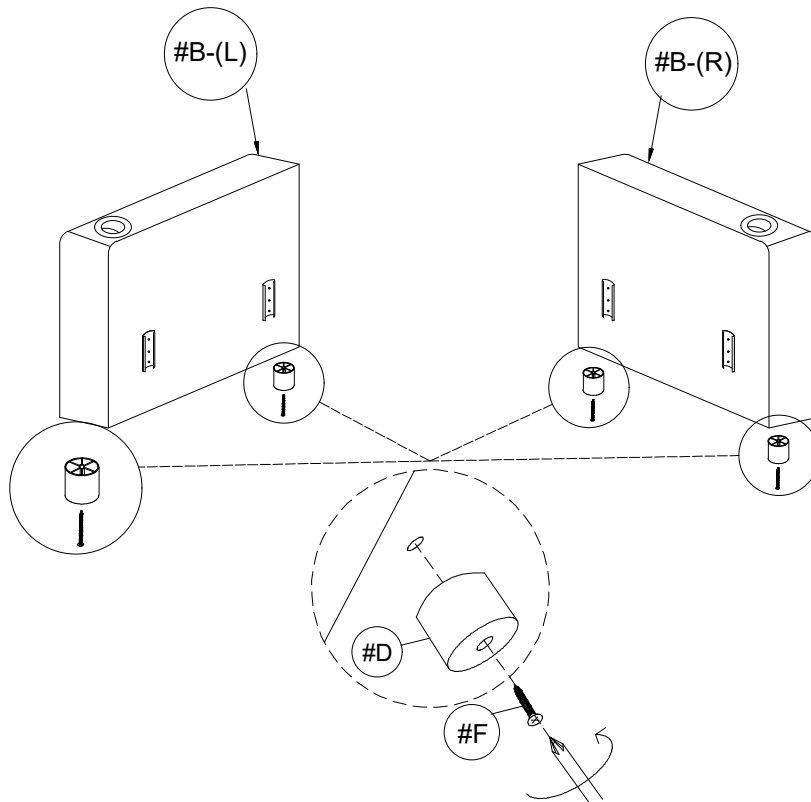
Carton	Disignation	Part	Hardware
WF303401	Seat frame	#A 	 #D=4PCS  #E=4PCS
	Pillow	#C 	 #F=4PCS  #G=16PCS
WF303402	Arm (L&R)	#B 	

ASSEMBLY INSTRUCTIONS

STEP 1

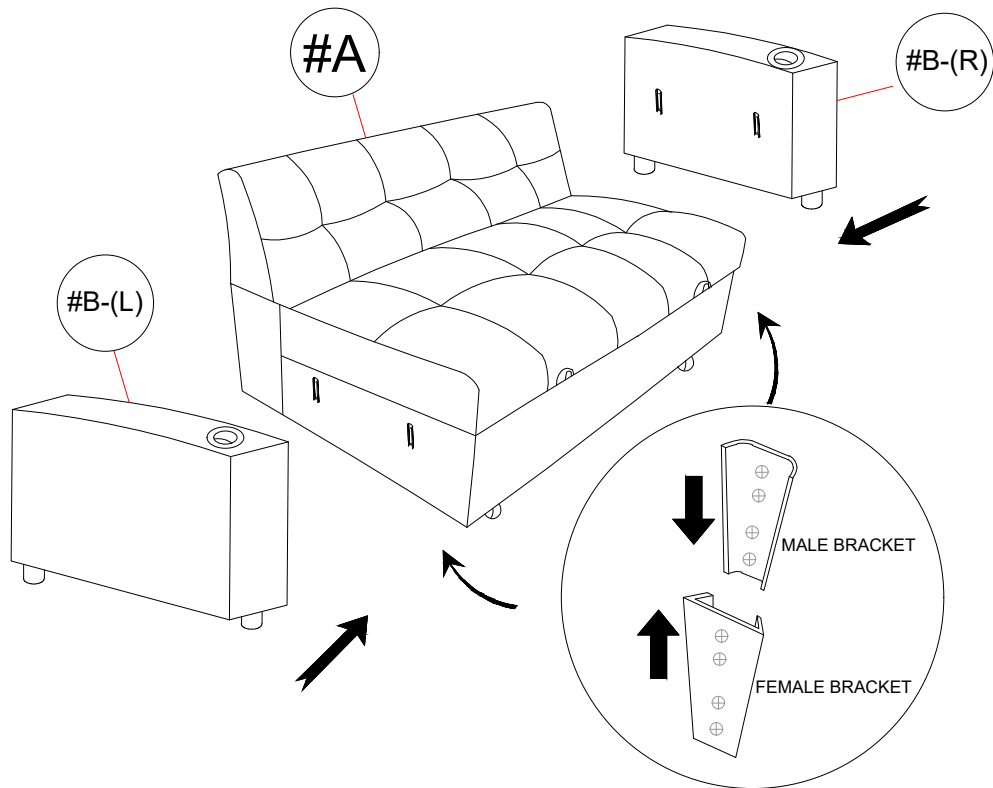


STEP 2

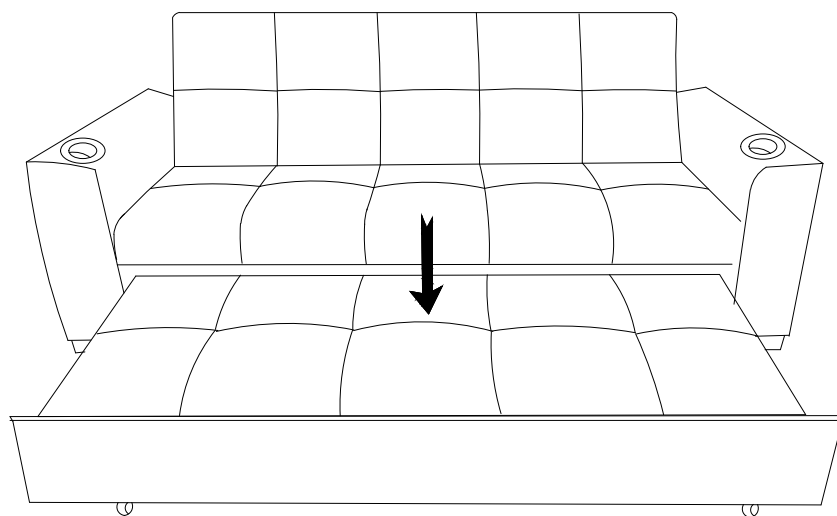


ASSEMBLY INSTRUCTIONS

STEP 3

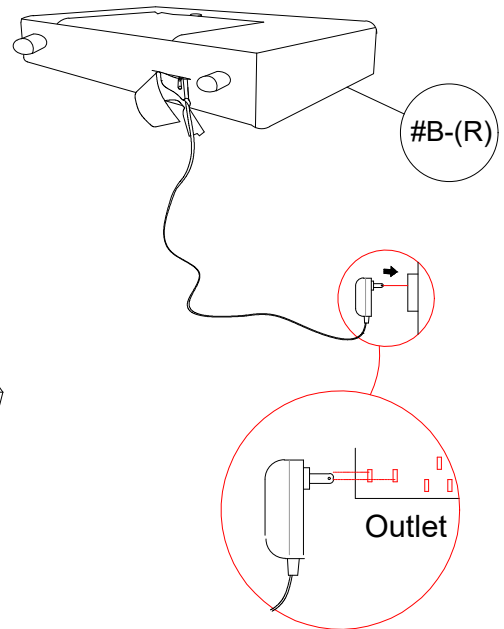
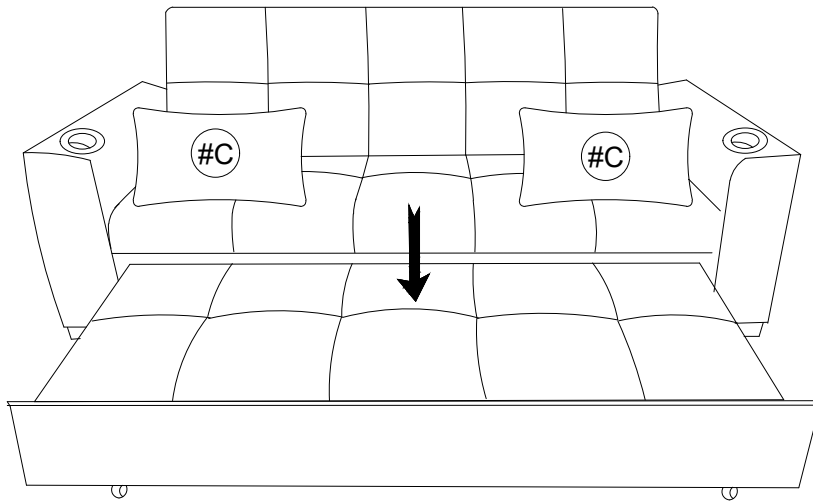


STEP 4



ASSEMBLY INSTRUCTIONS

STEP 5



COMPLETED !!

