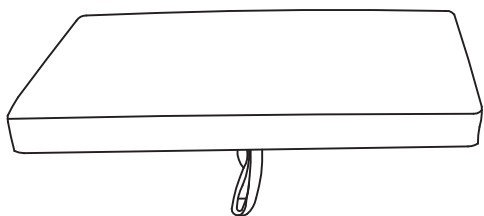
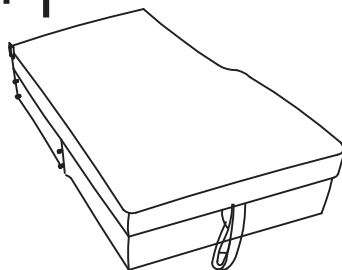


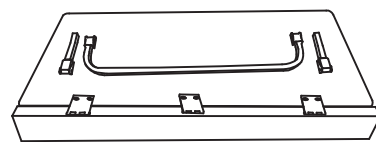
A\*1



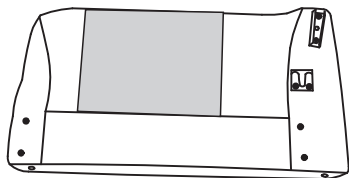
B\*1



C\*1



D\*1



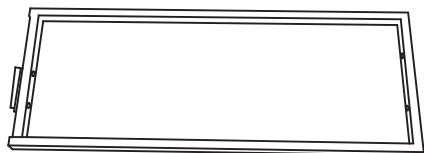
E\*1



F\*2



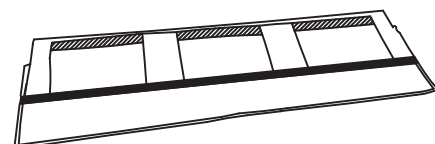
G\*1



H\*1



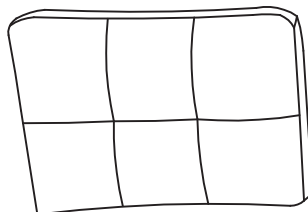
I\*1



J\*1



K\*3



L\*6

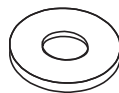


M\*2

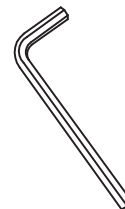


M6\*60

N\*4



O\*1



P\*1



Q\*2

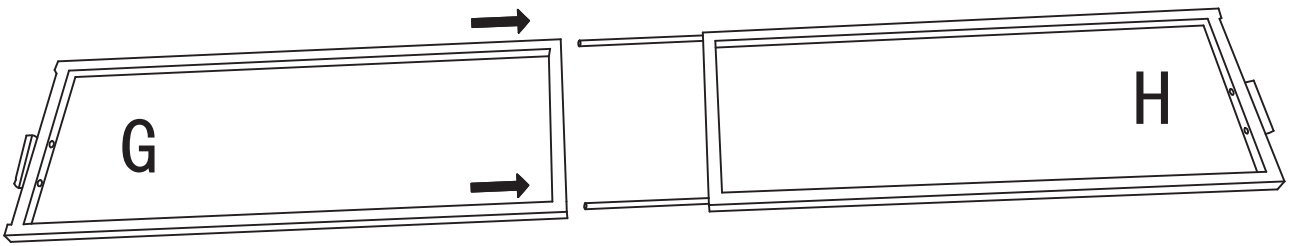
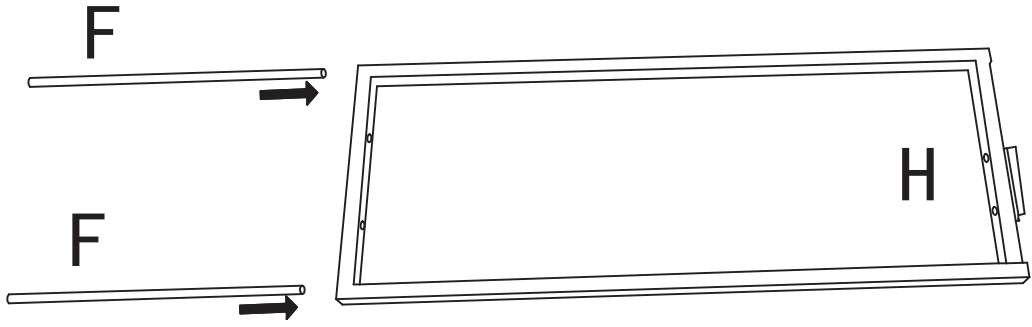


R\*4

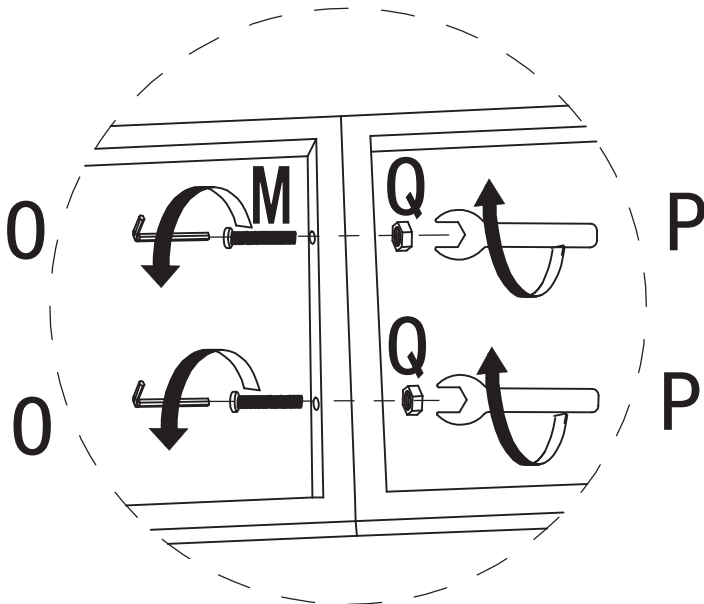
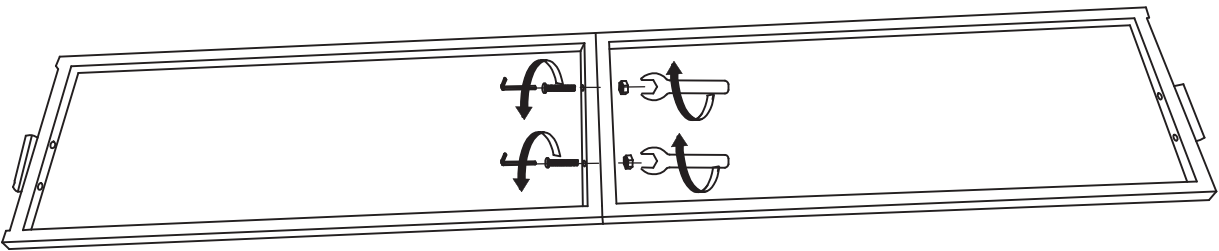


M6\*60

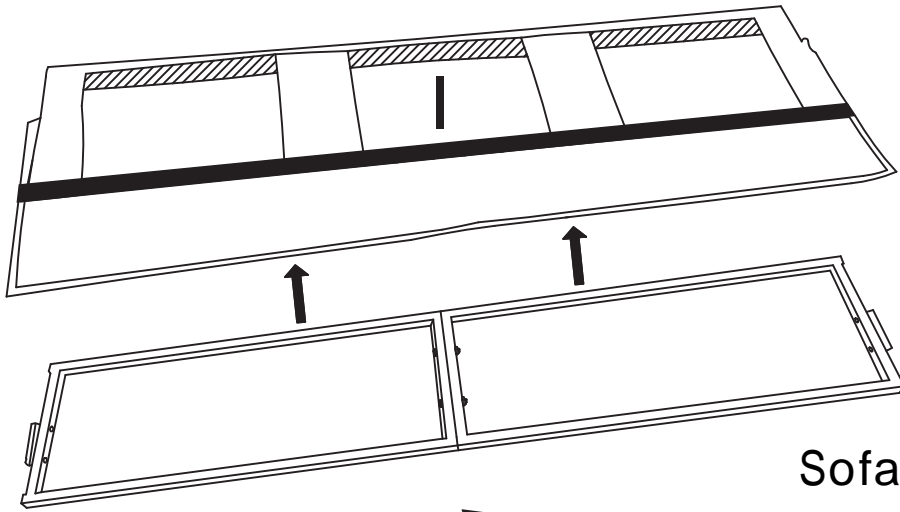
1



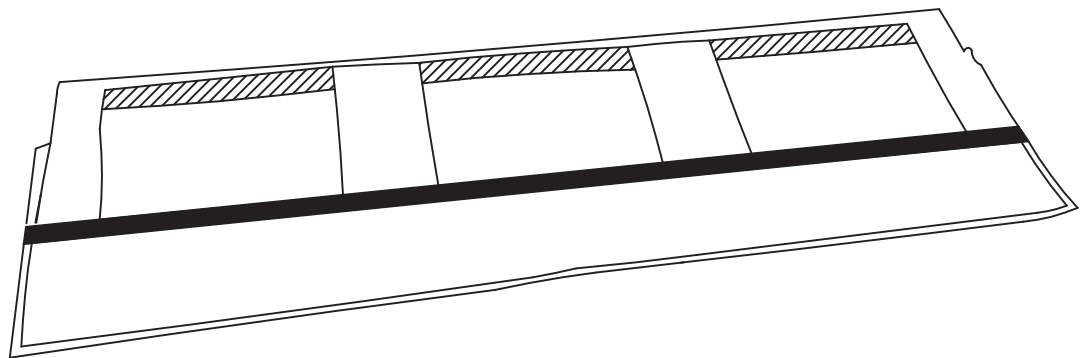
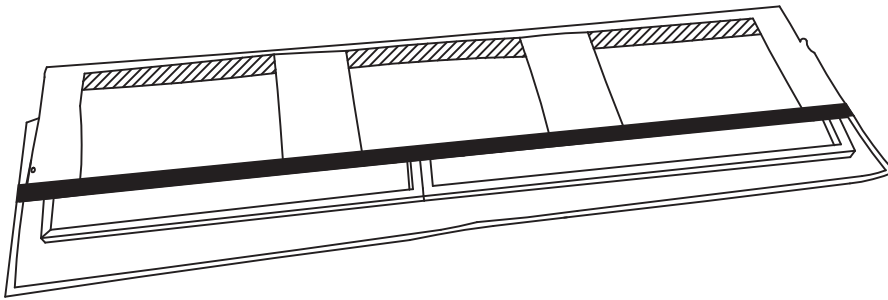
2



3

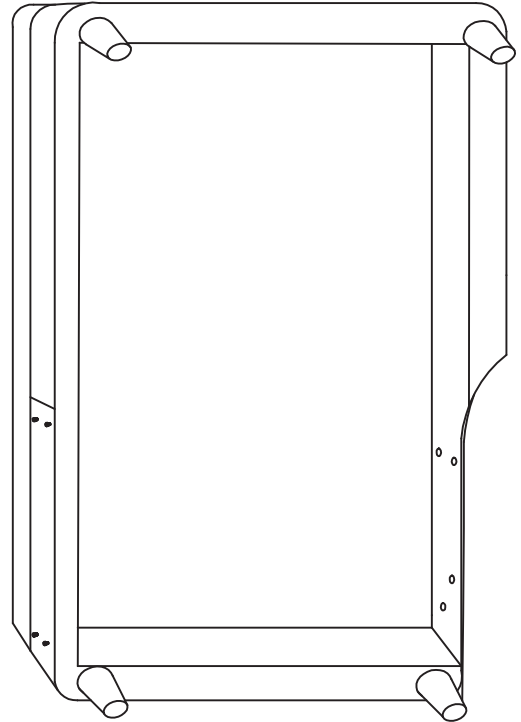
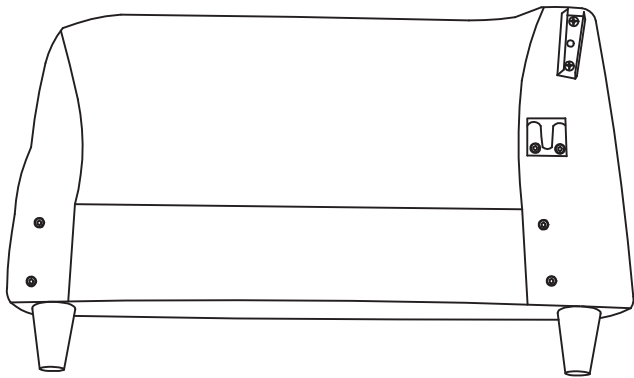
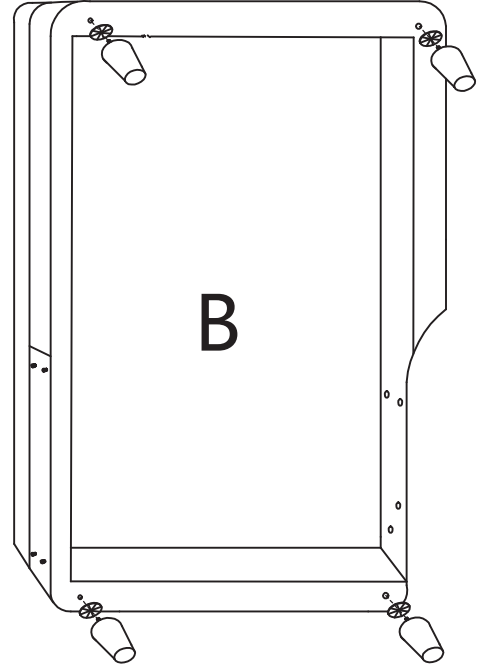
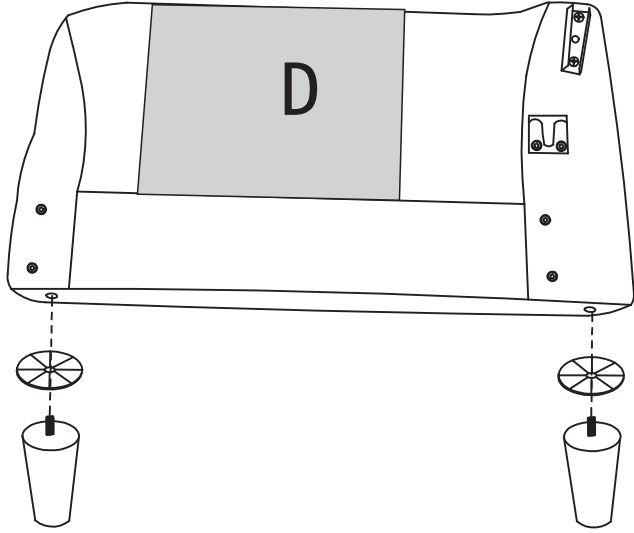
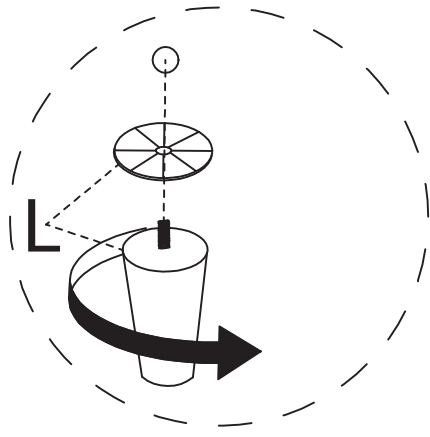


Sofa back metal frame  
need put in the  
backrest fabric cover!

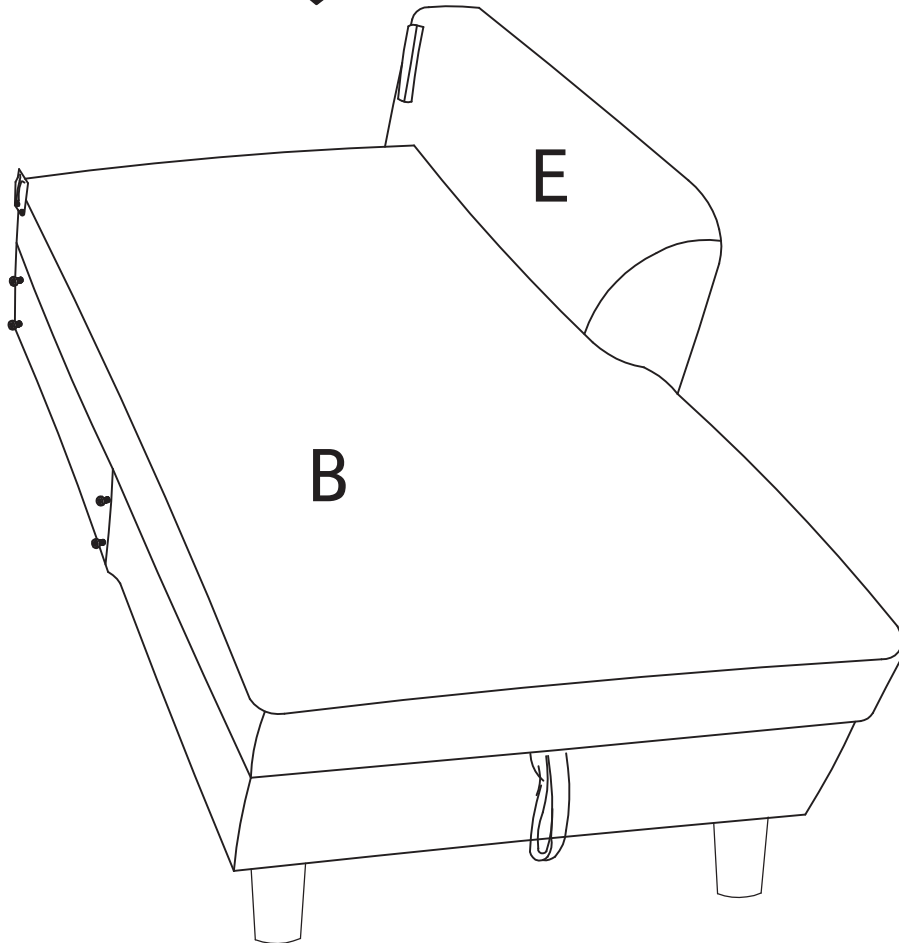
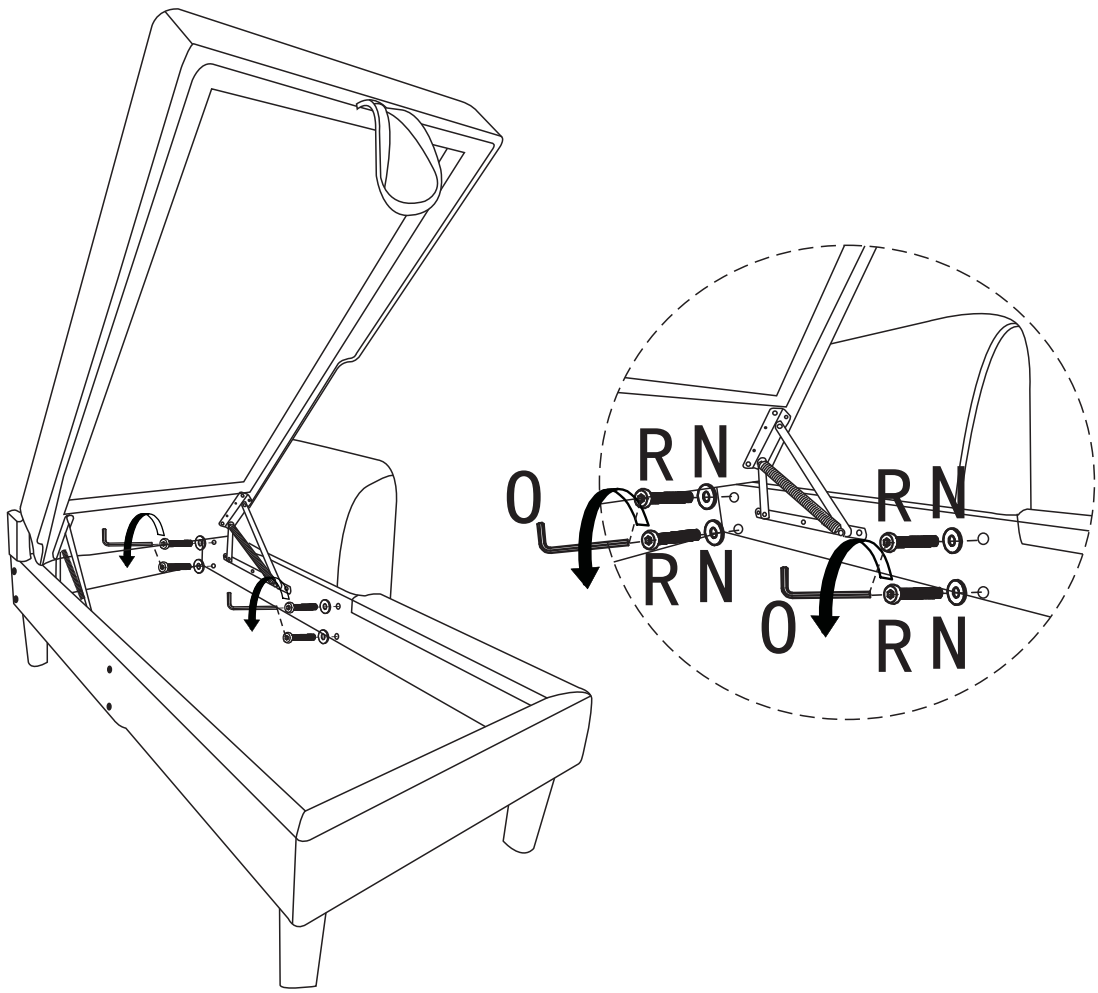




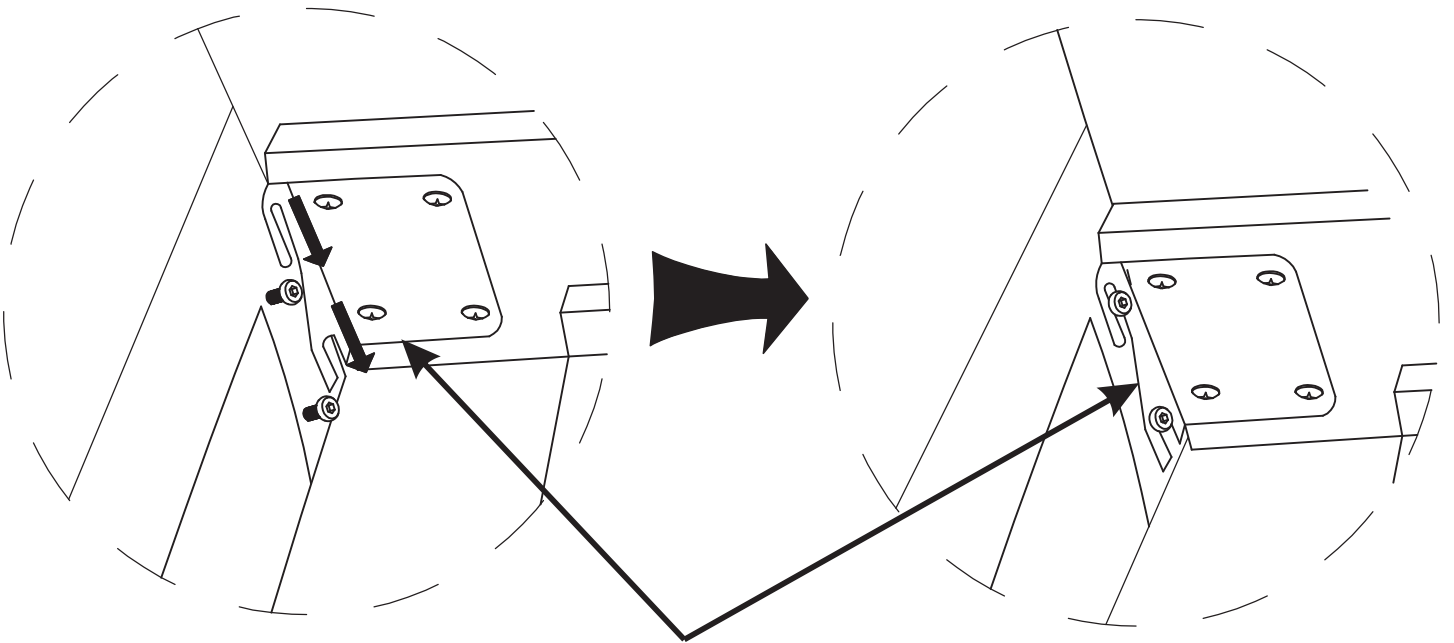
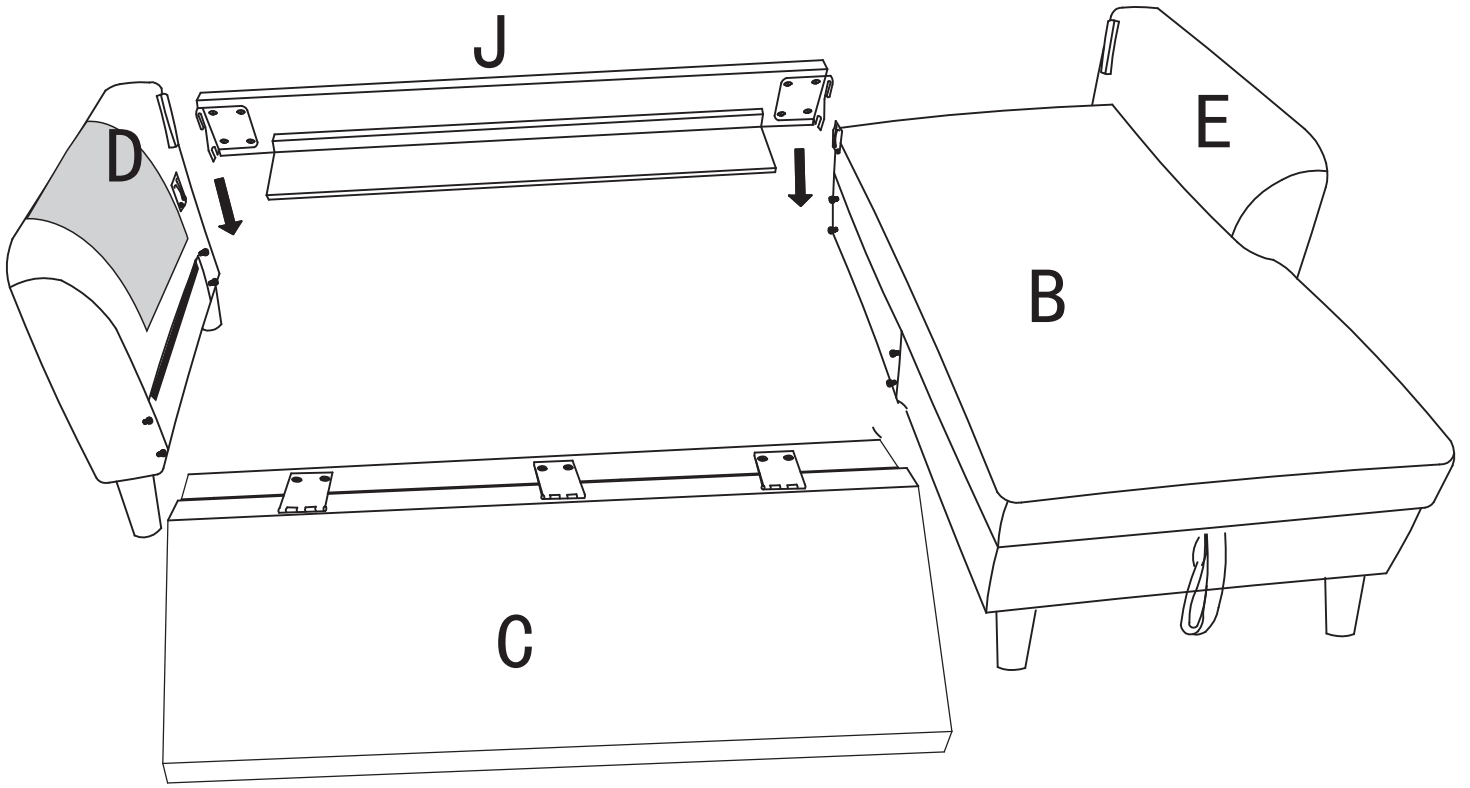
4



5

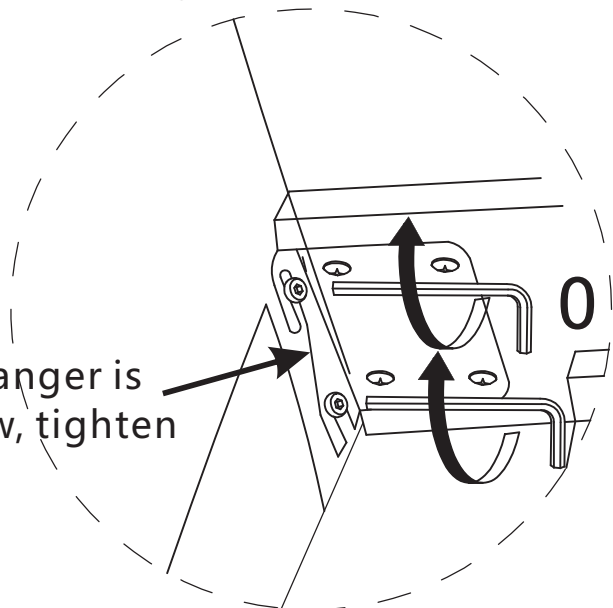
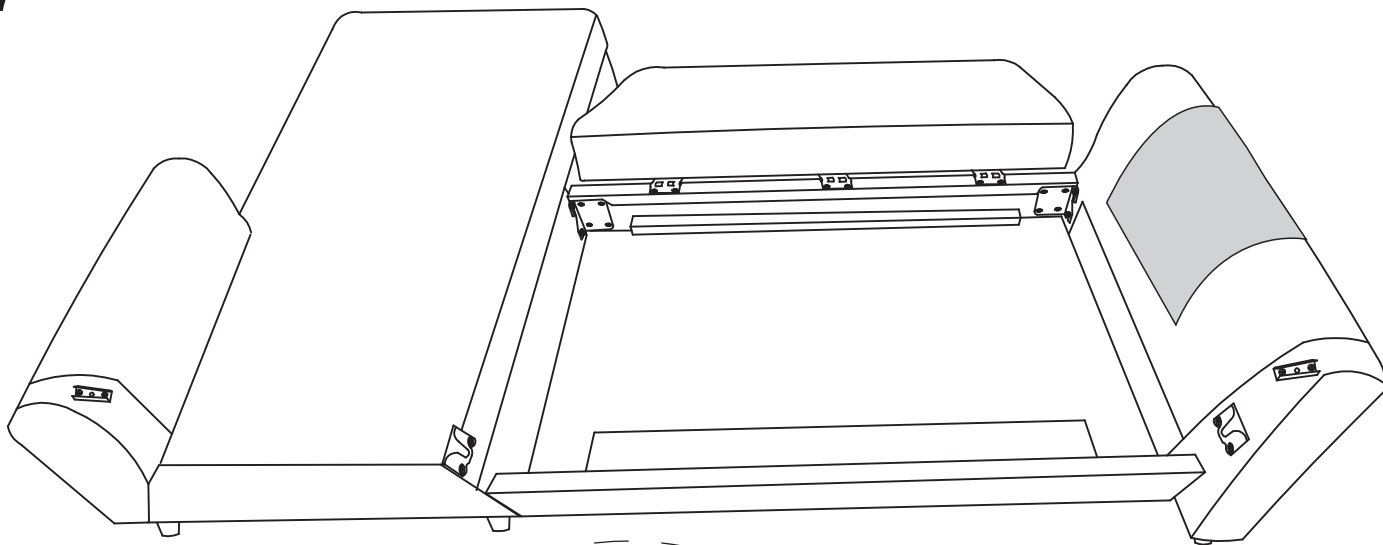


6

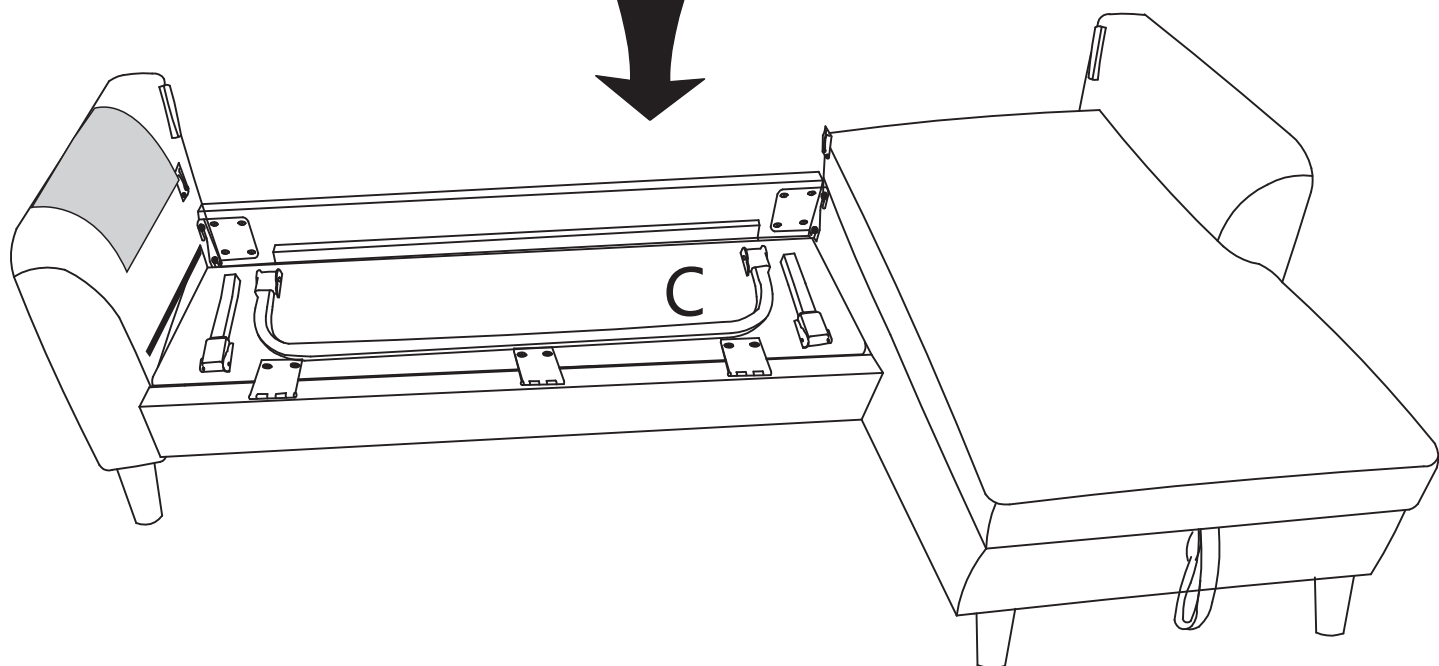


After the metal hanger is hung on the screw, tighten the screw

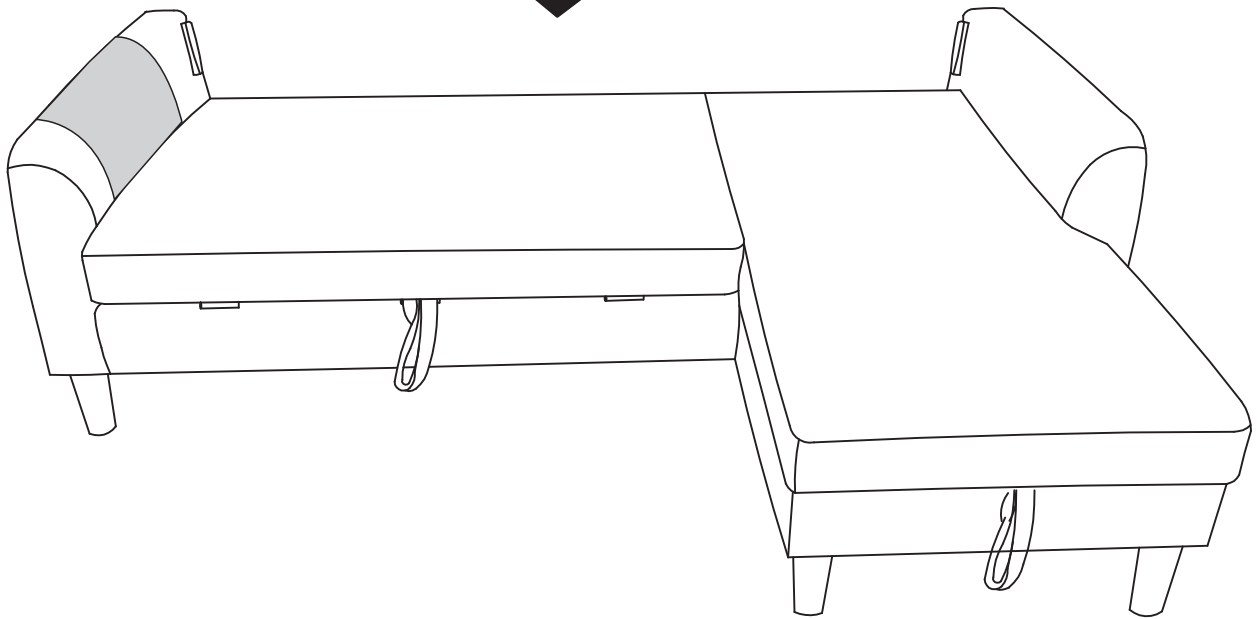
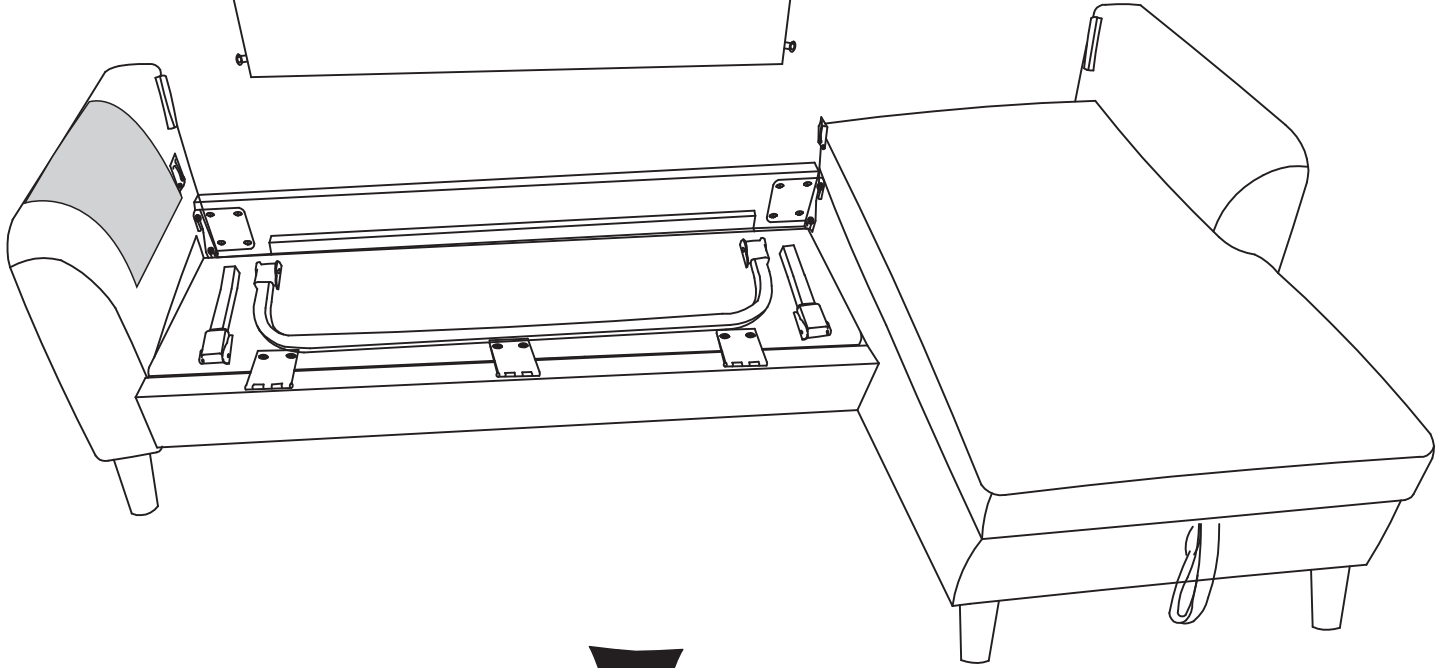
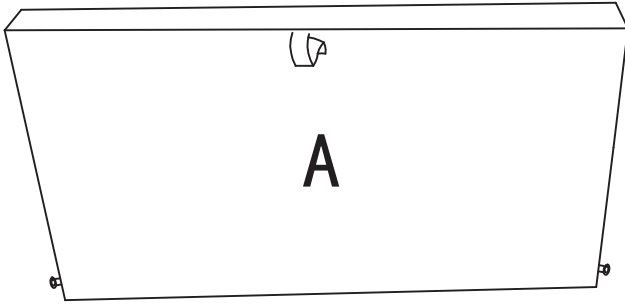
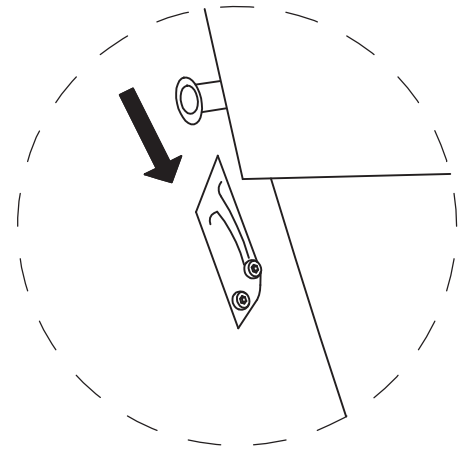
7



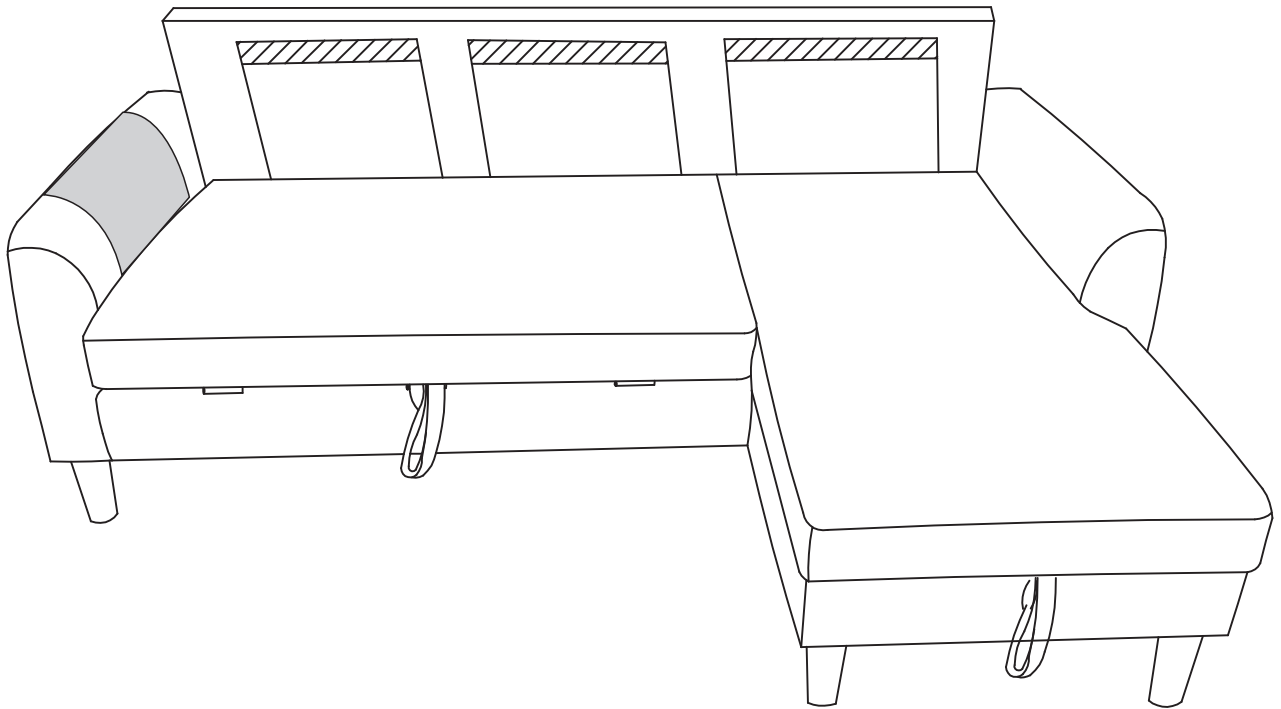
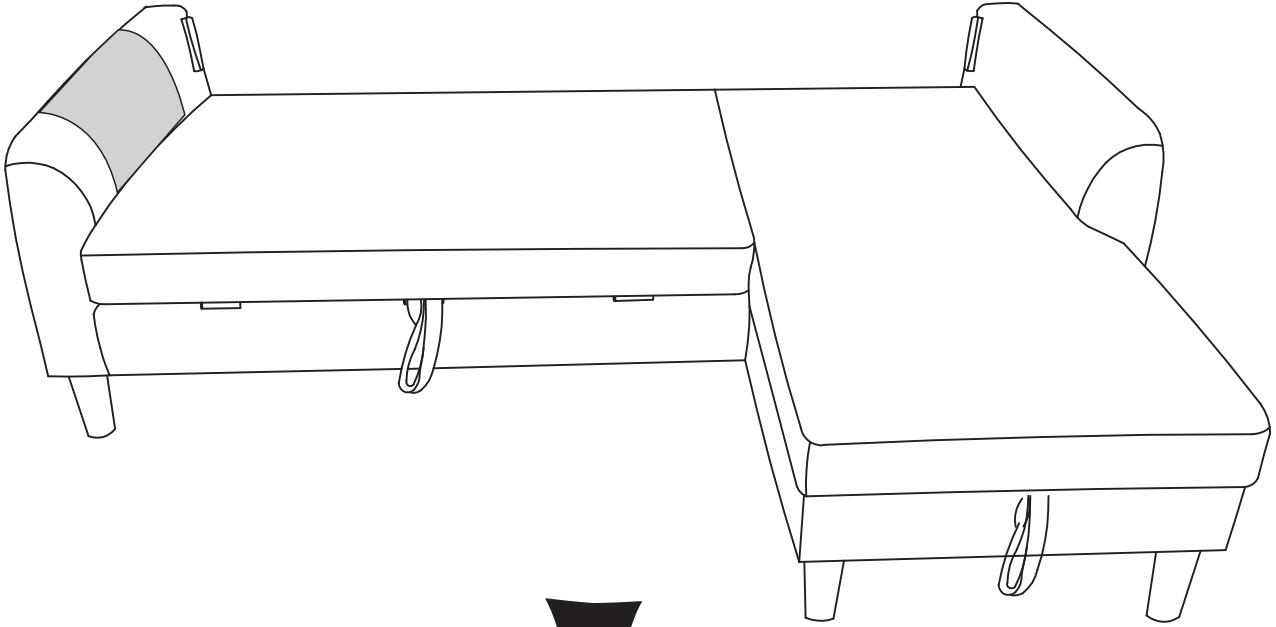
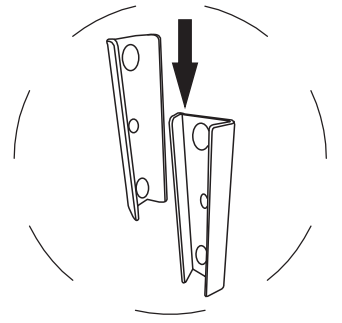
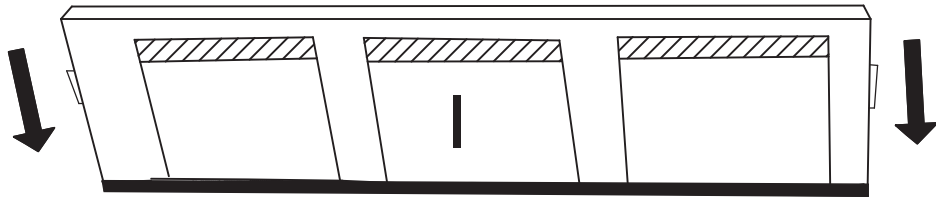
After the metal hanger is hung on the screw, tighten the screw



8



9

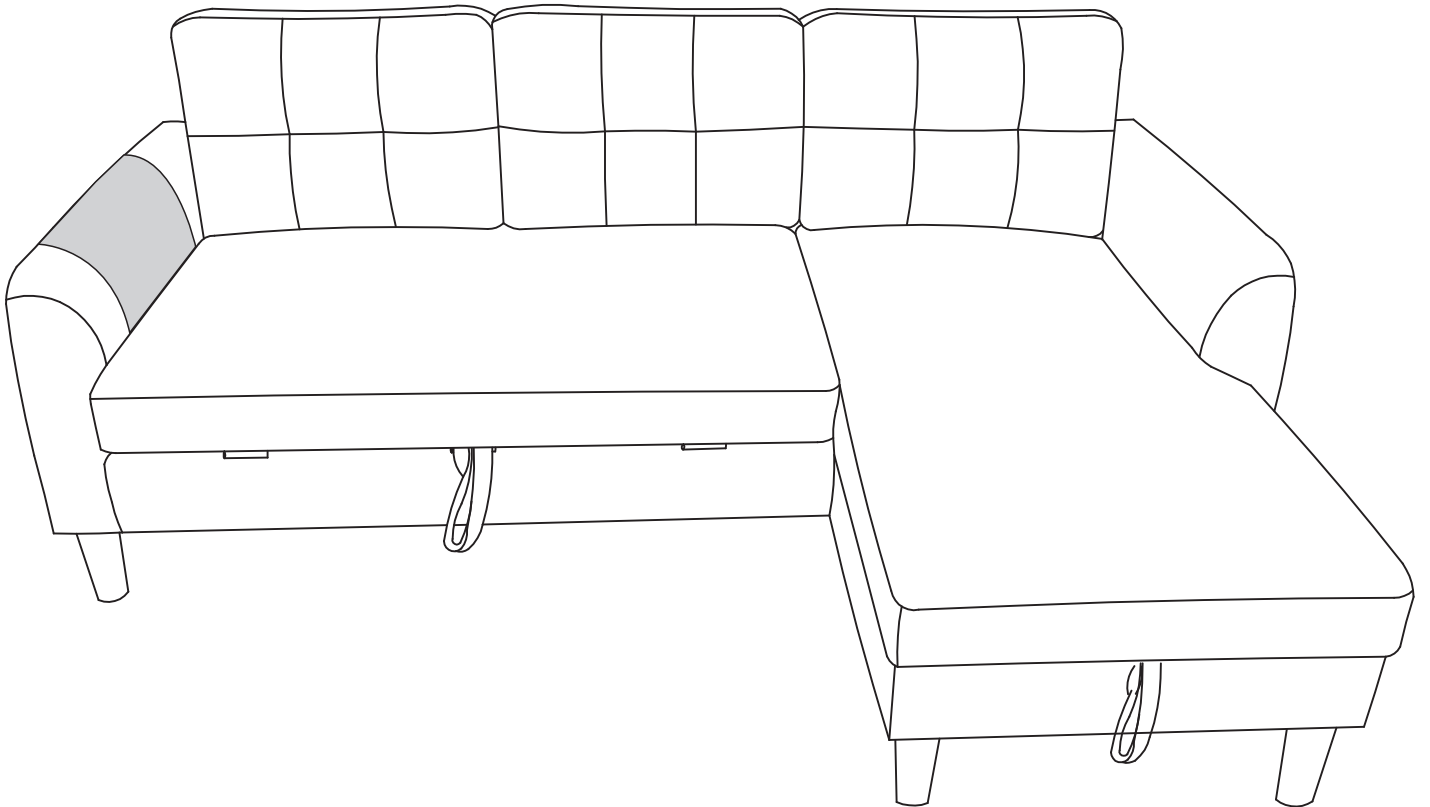
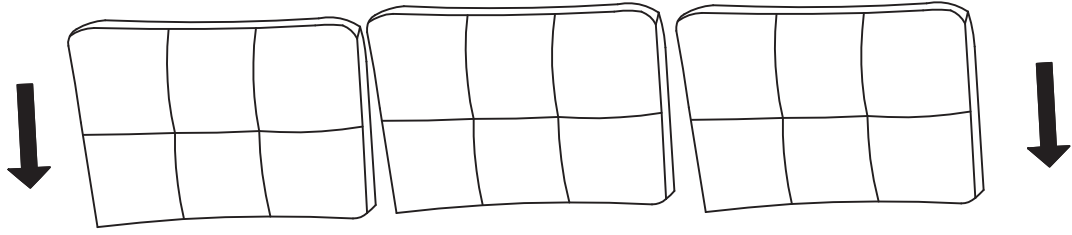


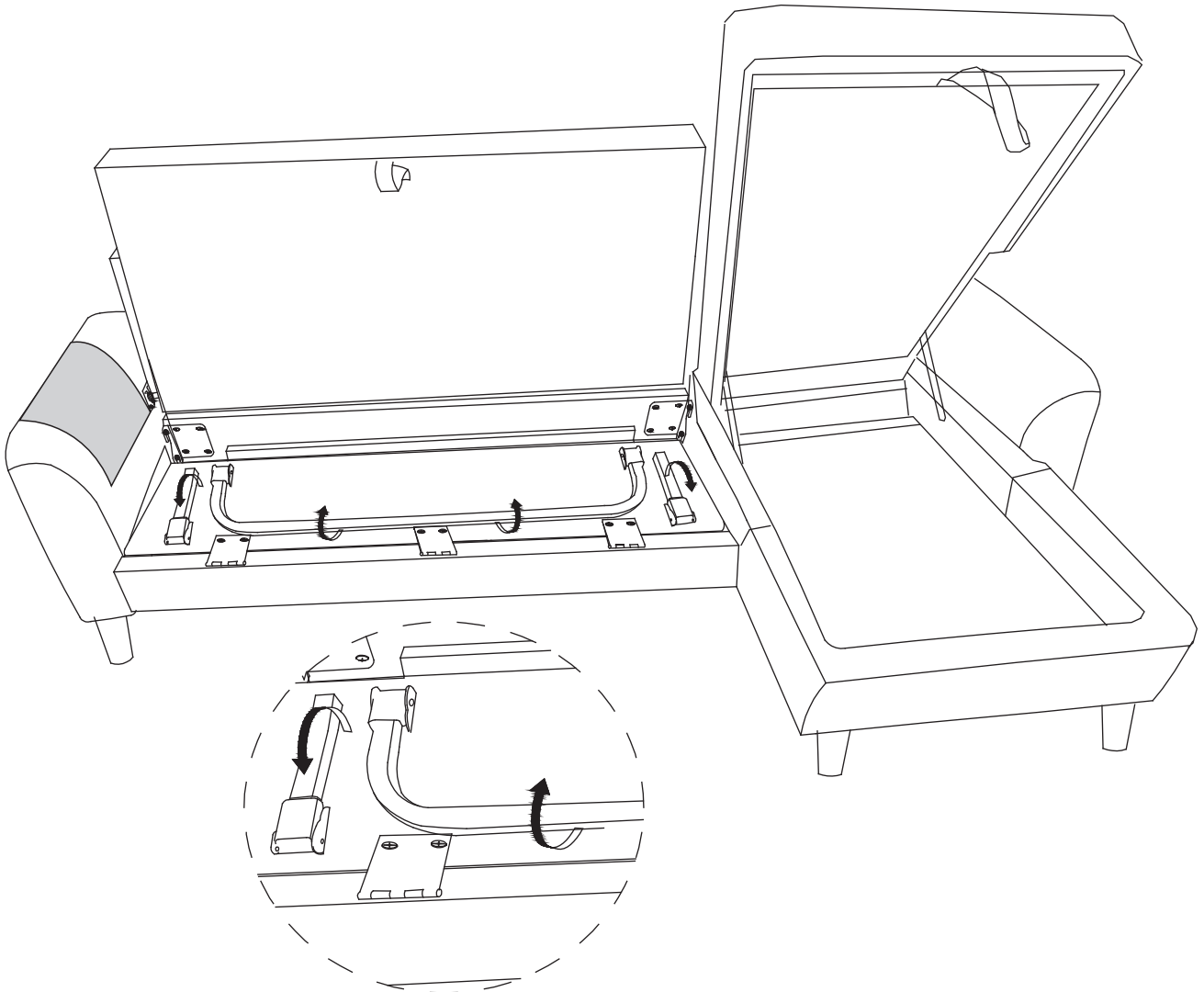
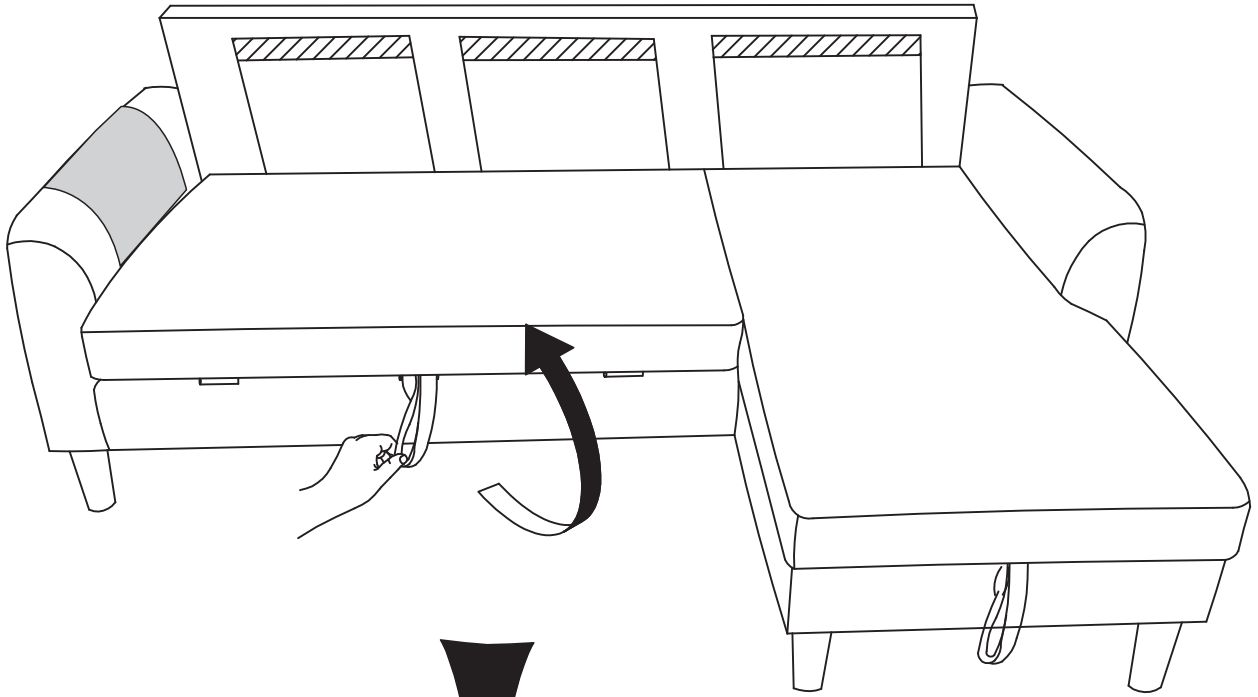
10

K

K

K







12

