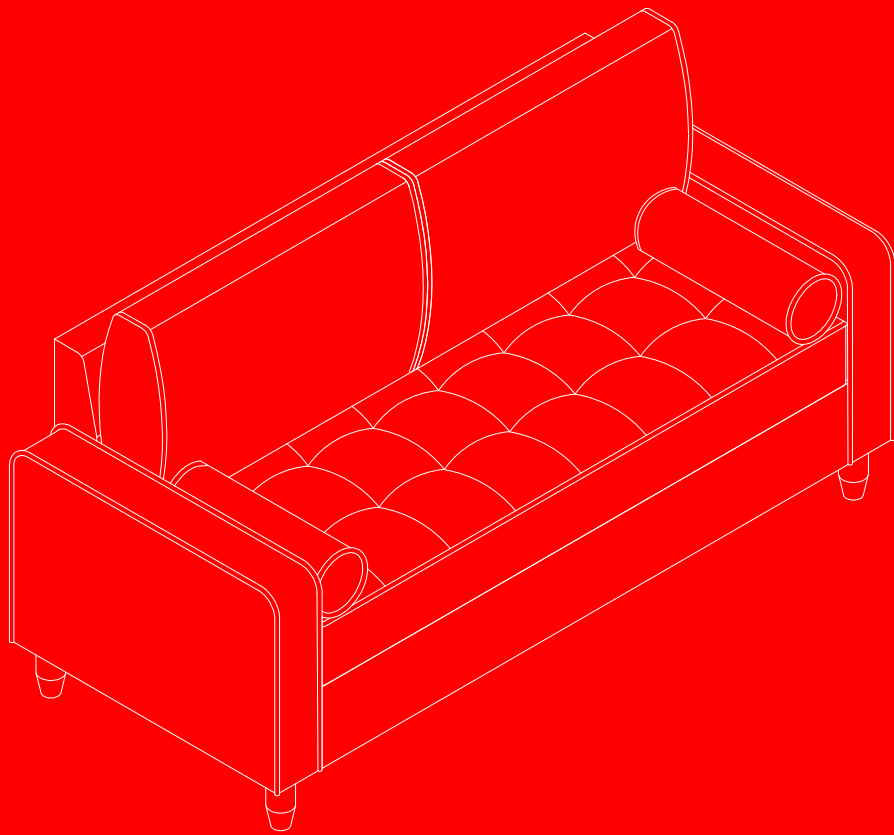
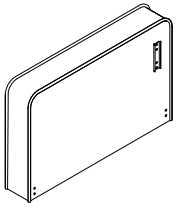


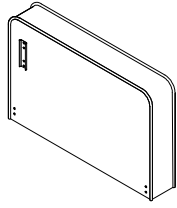
Sofa



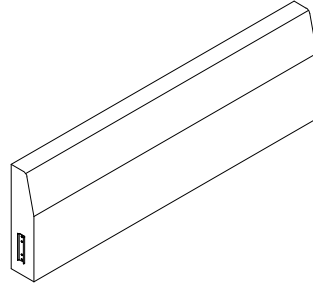
**INSTRUCTION
MANUAL**



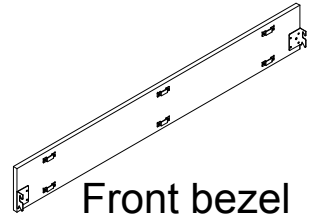
A
×1



B
×1

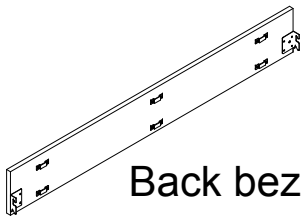


C
×1



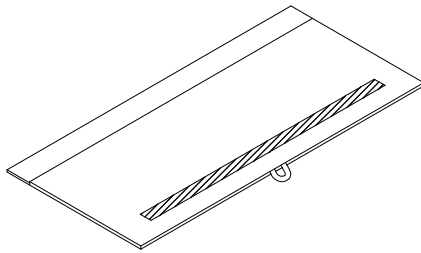
Front bezel

D
×1

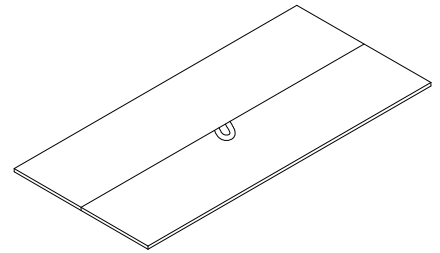


Back bezel

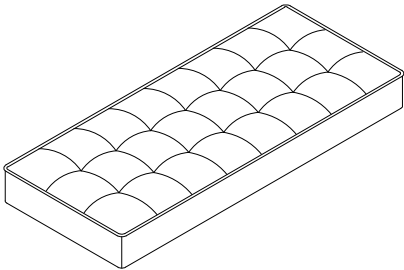
E
×1



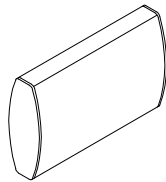
F
×1



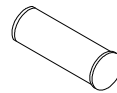
G
×1



H
×1



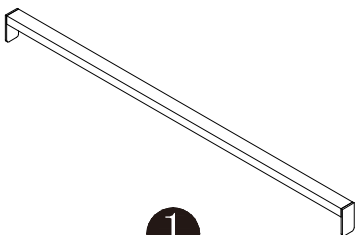
I
×2



J
×2



K
×4



1
×6



2
×8

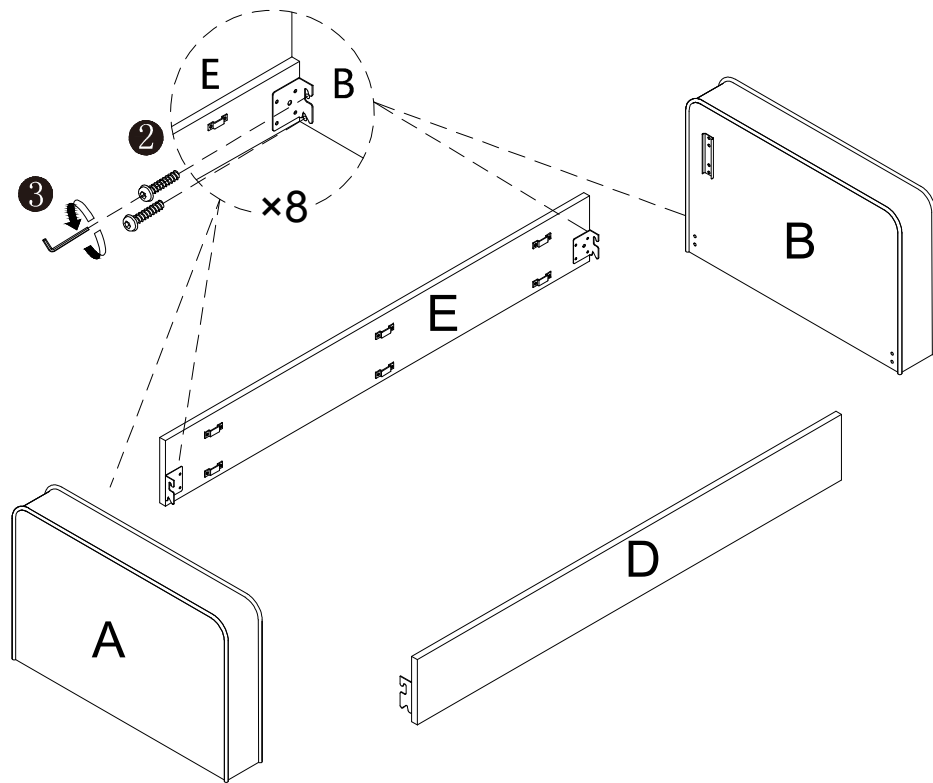
5/16*1-1/4"



3
×1

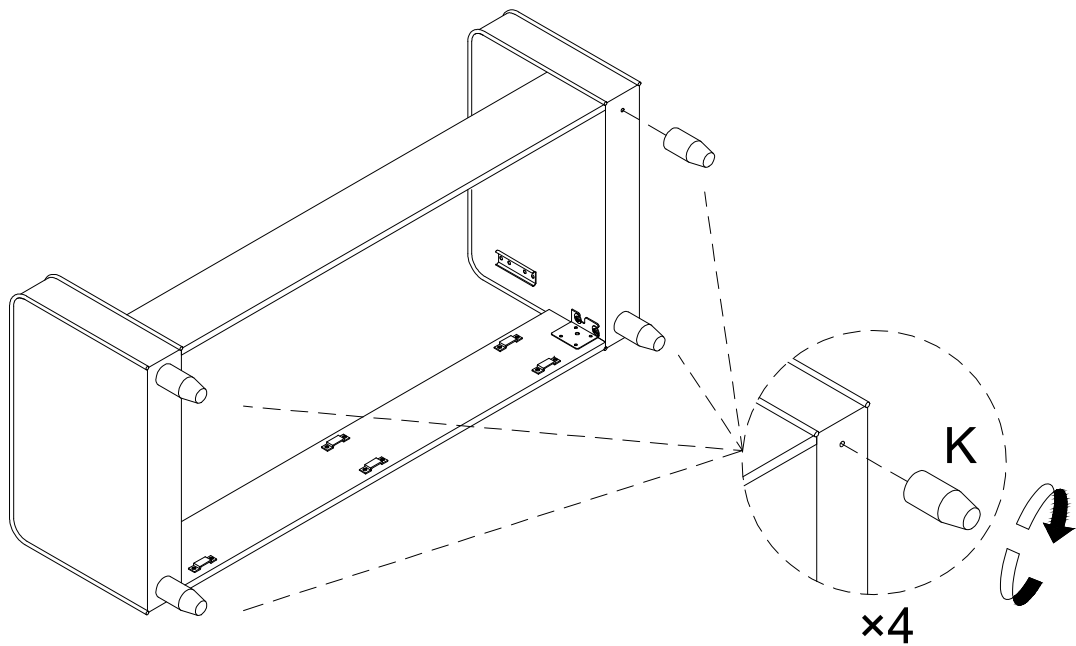
5/16*60MM

1

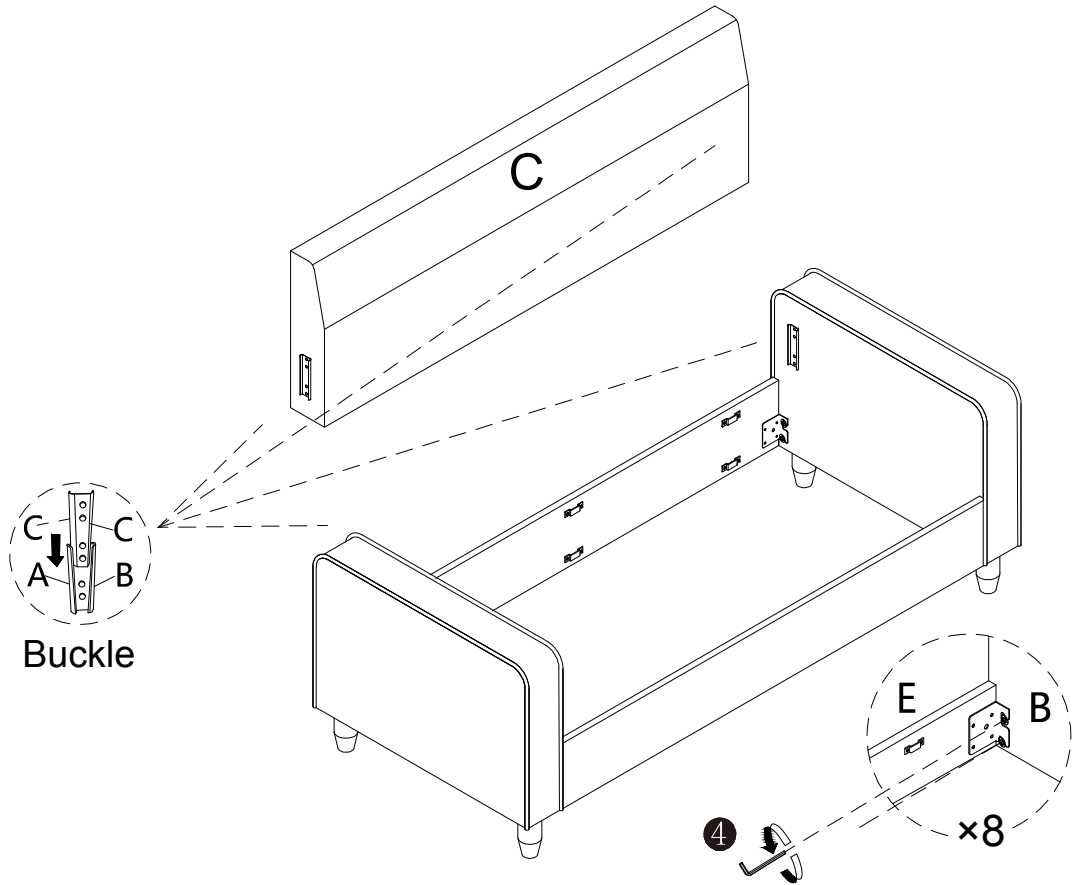


Note: Do not tighten the screw after it is sleeved to prevent the back leather from being scratched

2

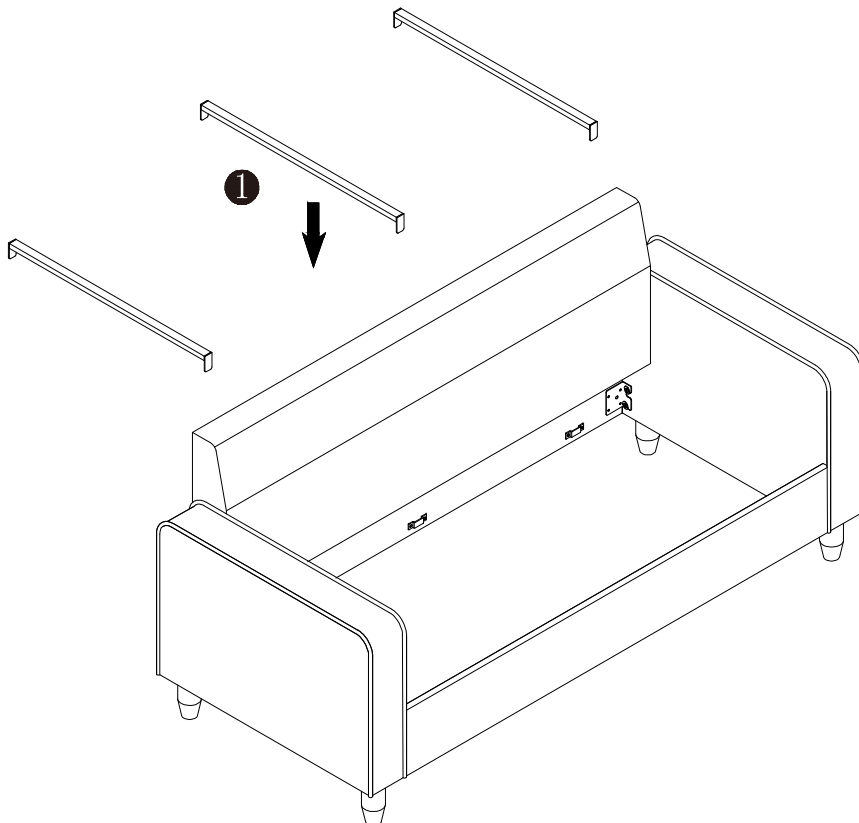


3

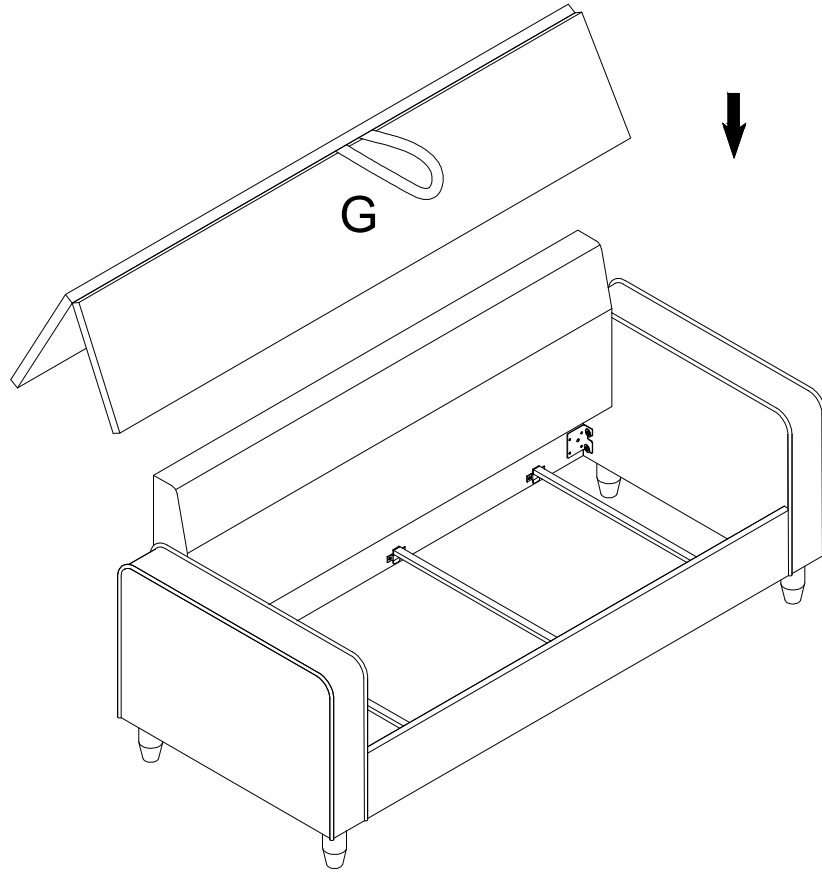


Note: Tighten the screw after inserting the backrest

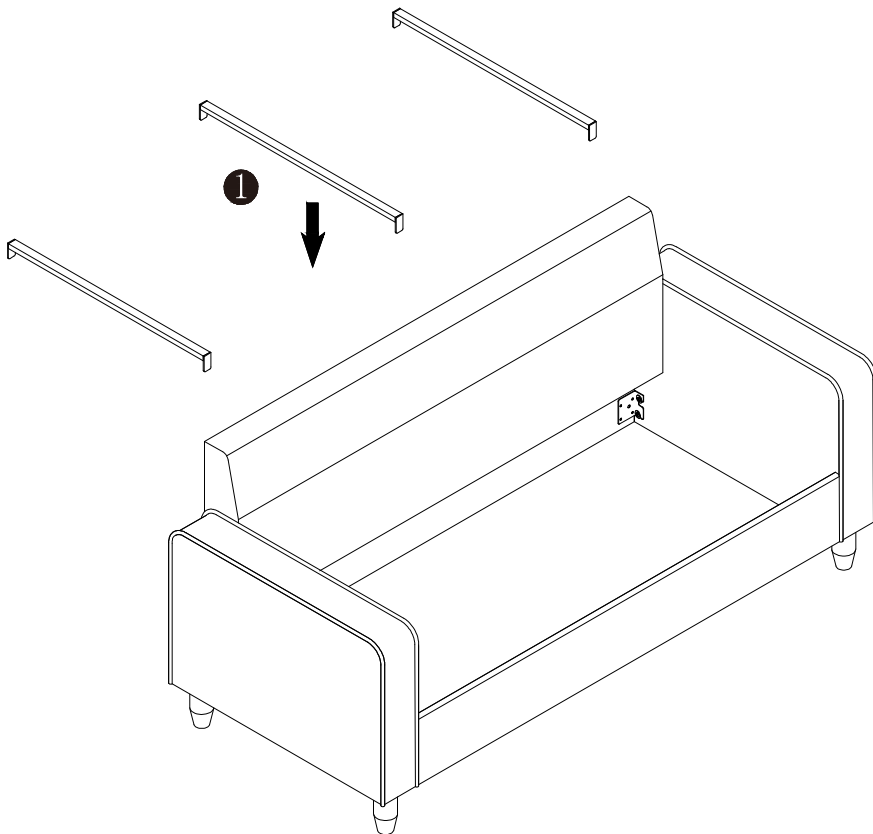
4



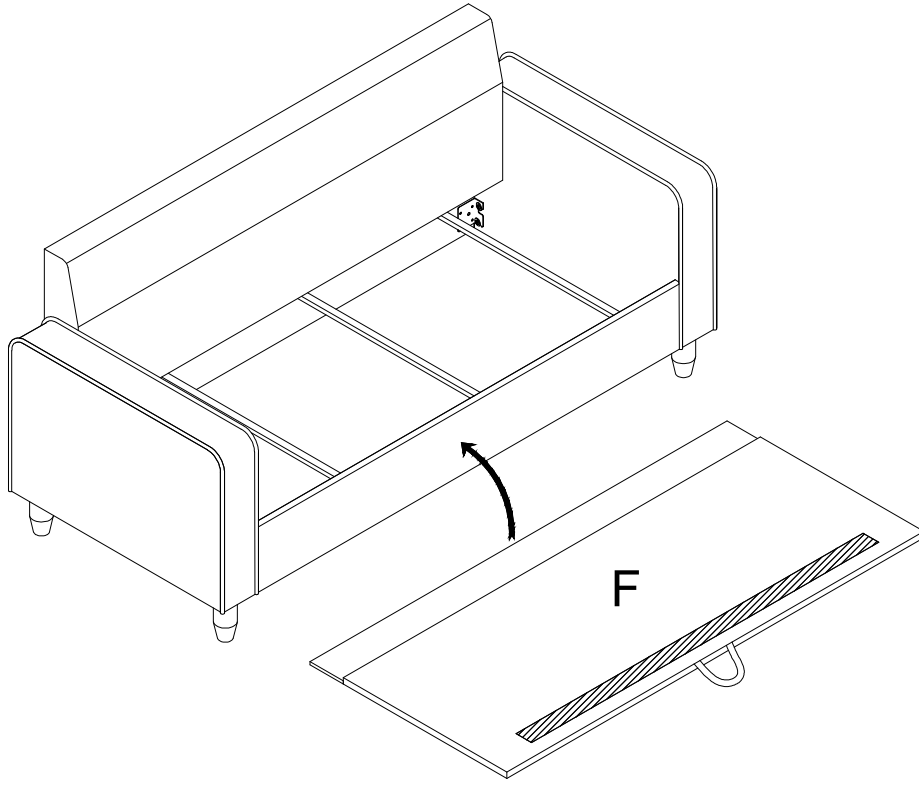
5



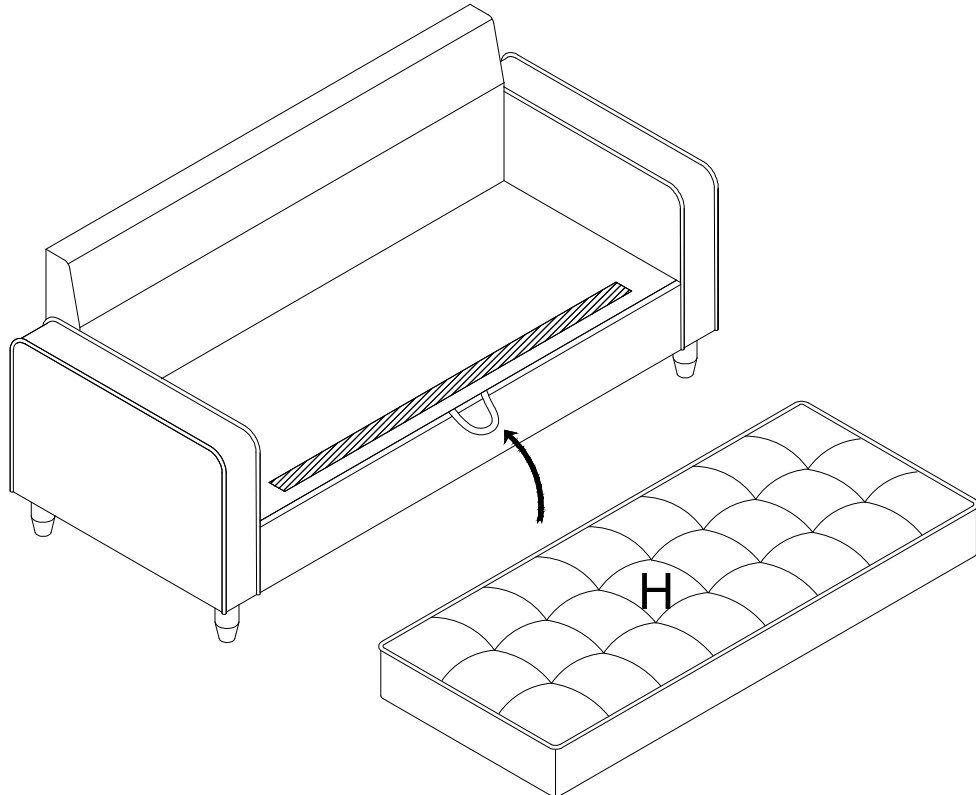
6



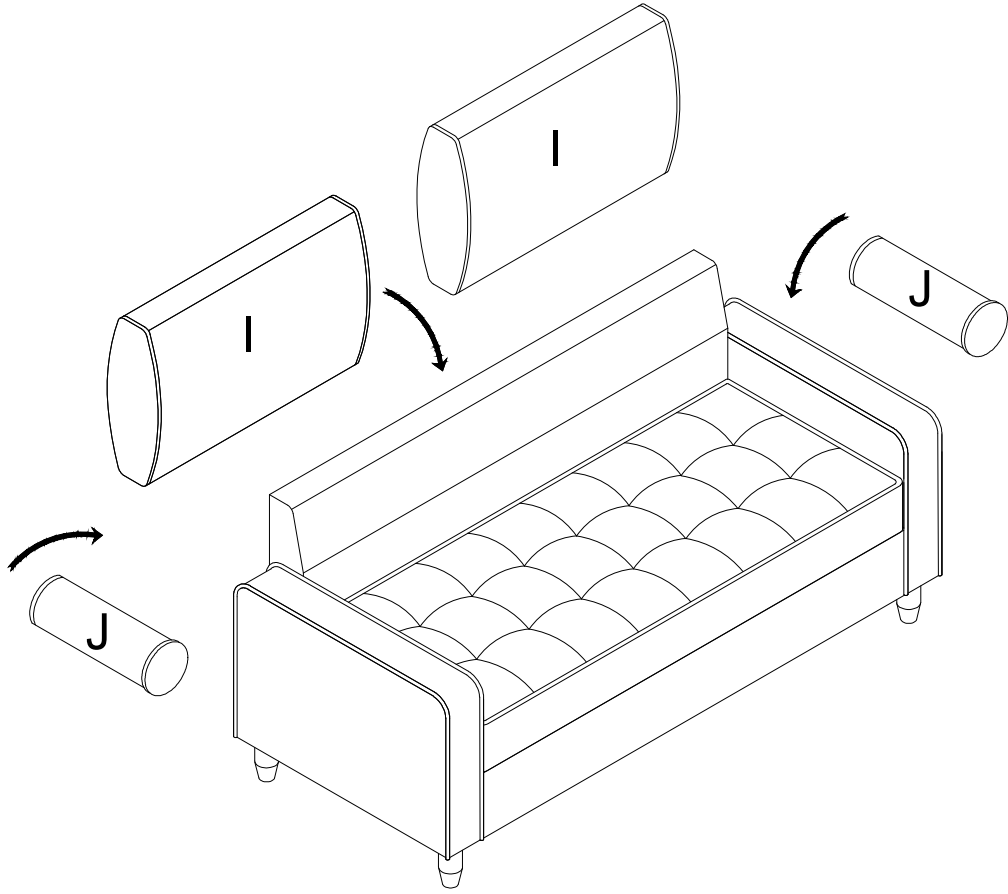
7



8



9



10

