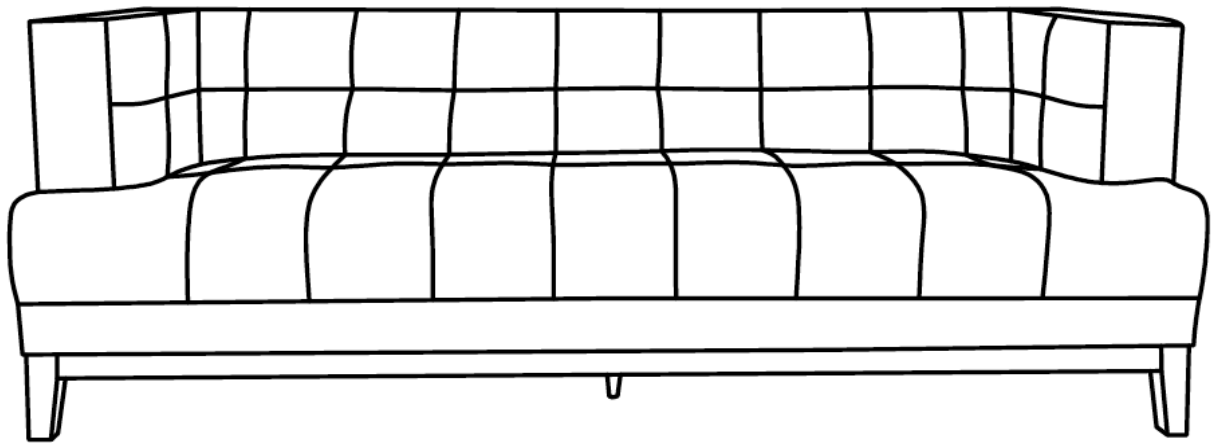


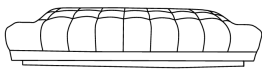
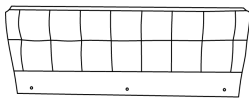
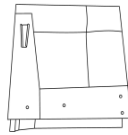

Assembly Instructions



Caution : You must read this before you proceed

Sofa









Parts List

Label	Picture	Description	QTY
A		Sofa Seat	1
B		Sofa Backrest	1
C		Right Arm Panel	1
D		Left Arm Panel	1

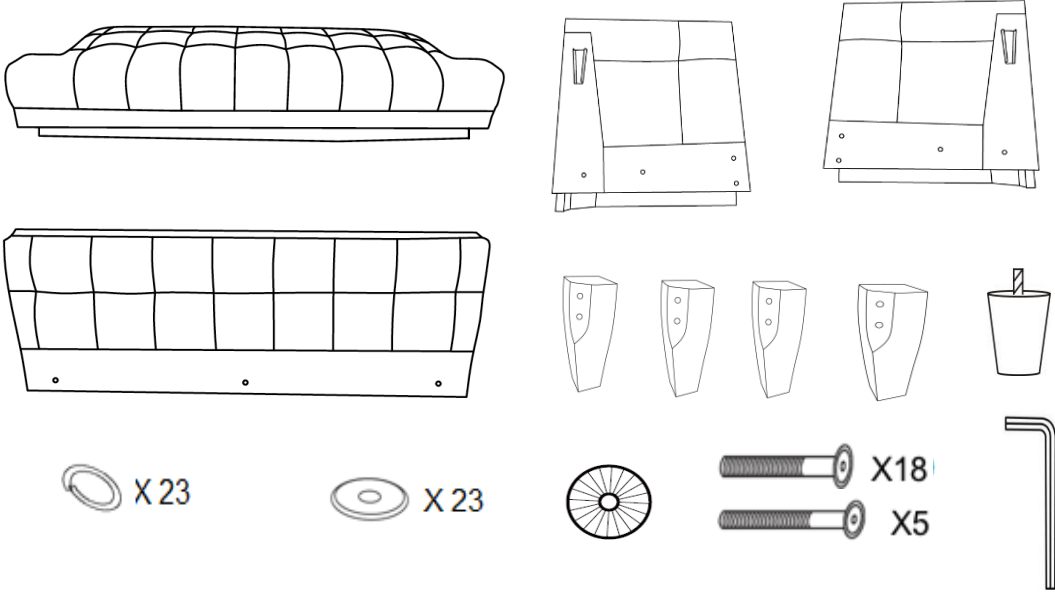
E		Wooden Leg	4
F		Middle Support Leg	1







Hardware

Label	Picture	Description	QTY
①		Bolt (M8*50MM)	18
②		Washer	23
③		Spring Washer	23
④		Allen Wrench	1
⑤		Long Bolt (M8*60MM)	5
⑥		Gasket	1

Assembly Preparation

Before Beginning Assembly:



 X 23
  X 23
 
  X 18
 X 5
 



- Read instructions, cover to cover-



- Have 2 adults on hand for assembly-



- Do not assemble on flooring or carpet-



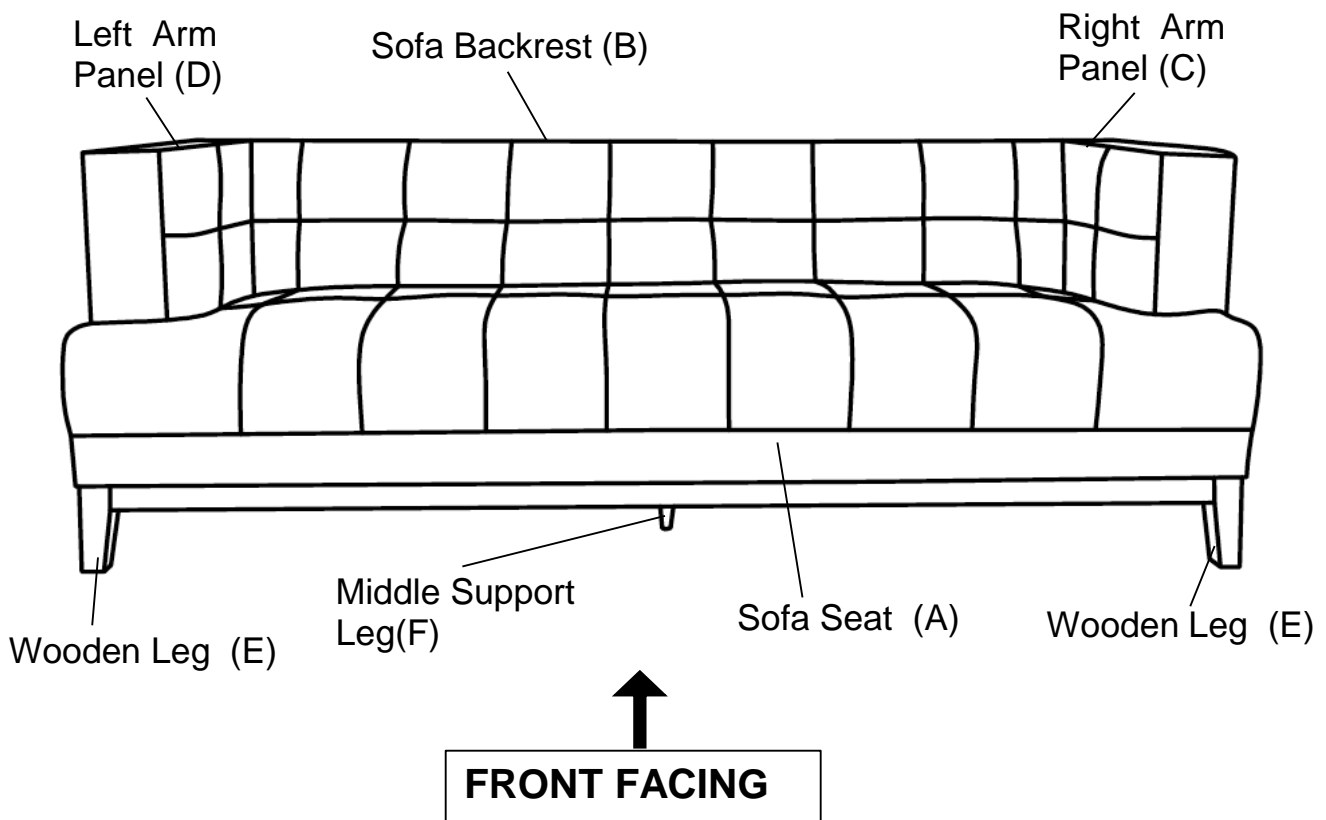
- Assemble on a clean non-marring surface (packing foam)-



- Save all packaging until finished-

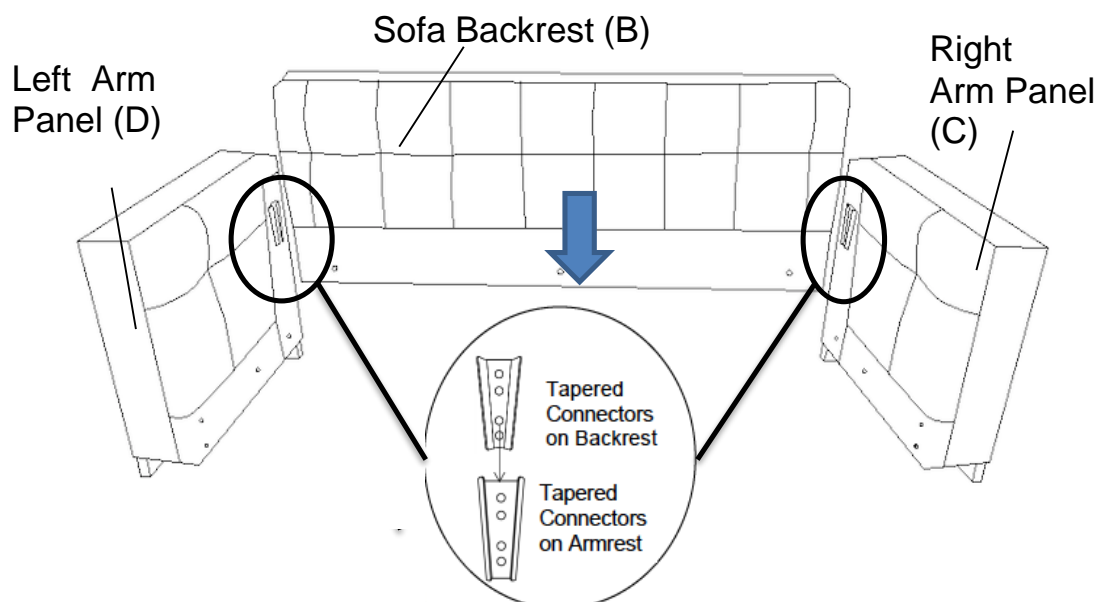
Assembly Steps

Overview



This Sofa has multiple parts and may require up to 30 minutes to assemble. To give you an overview of the Sofa parts, the above picture is to help you put the various parts into perspective. Please read through the instructions herebelow to familiarise yourself with the parts and steps before assembly.

Step 1



With the assistance of your partner, slide the Tapered Connectors on the Left Arm Panel(D) into the Tapered Connectors on the Sofa Backrest (B) as shown in the picture.

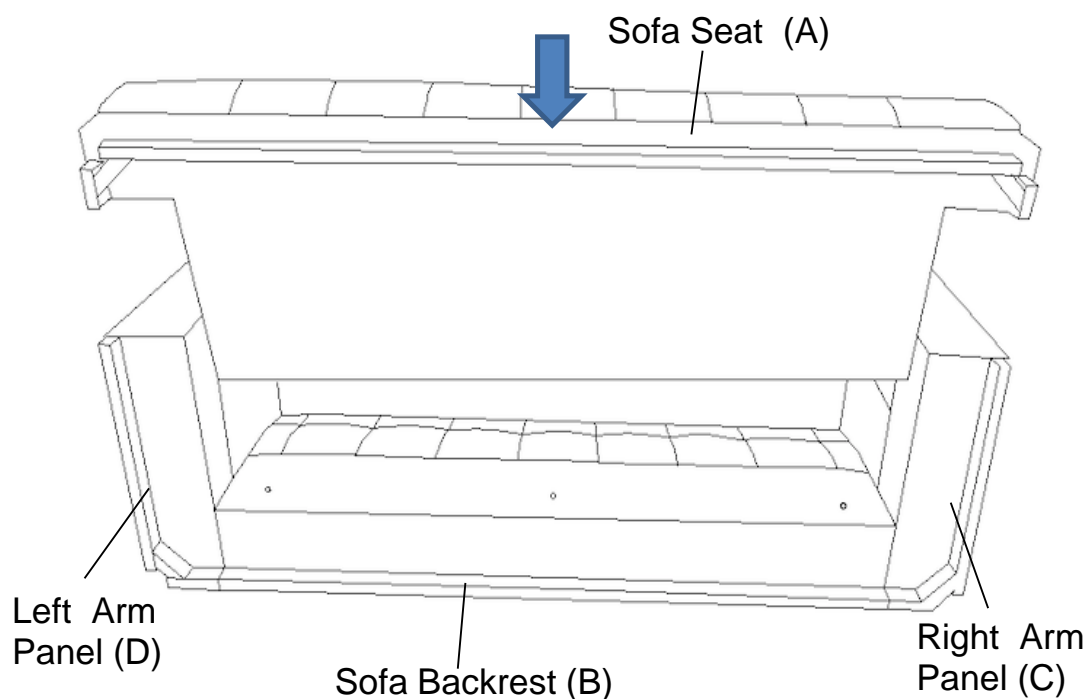
Repeat the same process with the Right Arm Panel(C).

Note: Make sure the Tapered Connectors on Left Arm Panel(D) and Right Arm Panel(C) lock into the Tapered Connectors on the Sofa Backrest (B).

During this assembly process - do exercise caution. You may need to use your hand to press down and or pave away the padded surface to facilitate the 'slip and slide' assembly.

Caution: Ensure that your fingers do not get caught or pinched in the assembly process.

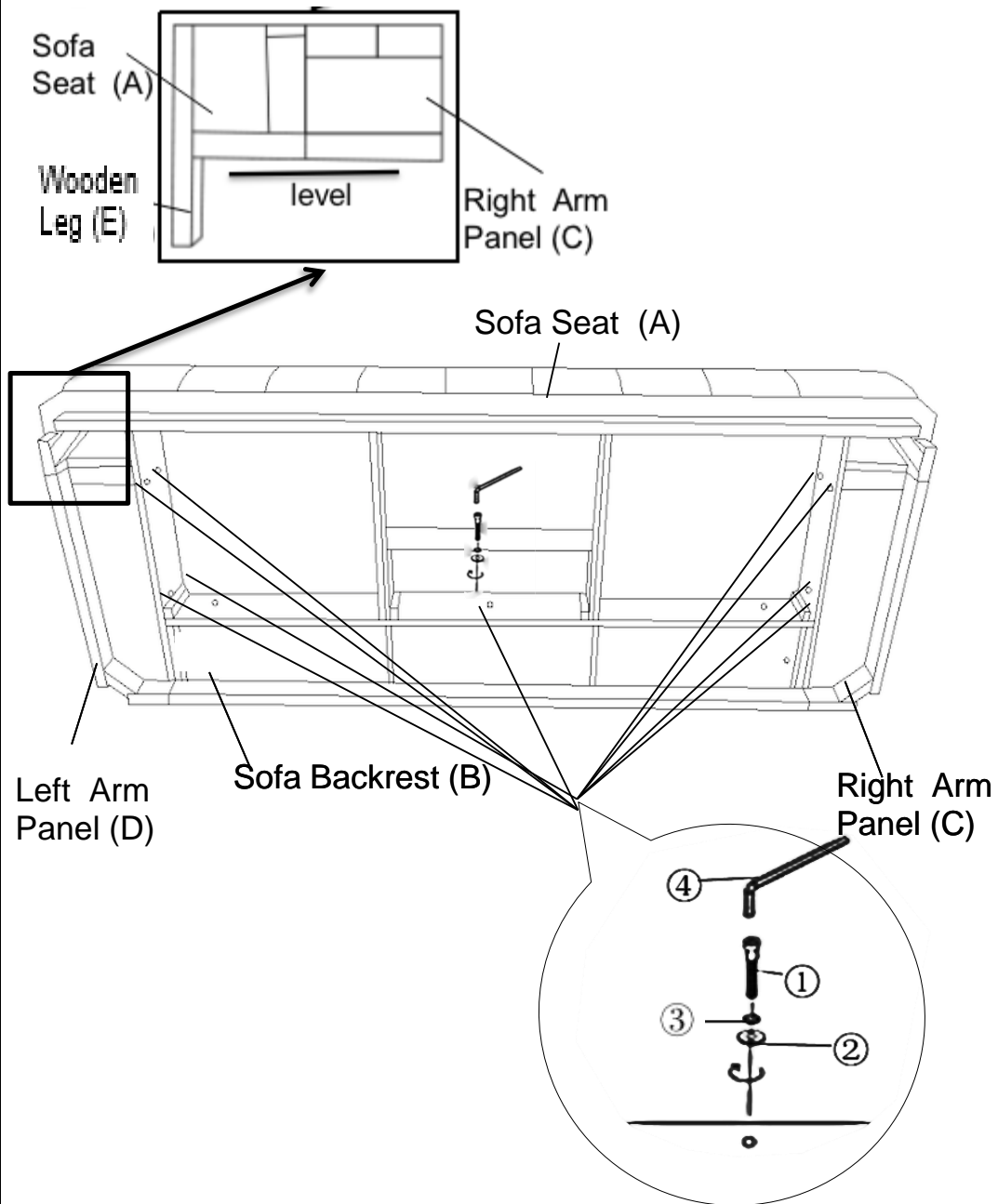
Step 2



Tilt and lay the Sofa on its Sofa Backrest(B) onto a flat surface. Push the Sofa Seat(A) downwards until it is fully slotted and locked into position in the Arm Panels(C&D).

Assistance from an adult partner is needed for this assembly process.

Step 3



Attach the Sofa Seat(A) to the Sofa Backrest(B) using Bolts(①), Spring Washers(③), and Washers(②) with the Allen Wrench(④) as pictured above.

Then, attach the Sofa Seat(A) to the Left Arm Panel(D) and Right Arm Panel(C) using Bolts(①), Spring Washers(③), and Washers(②) with the Allen Wrench(④)

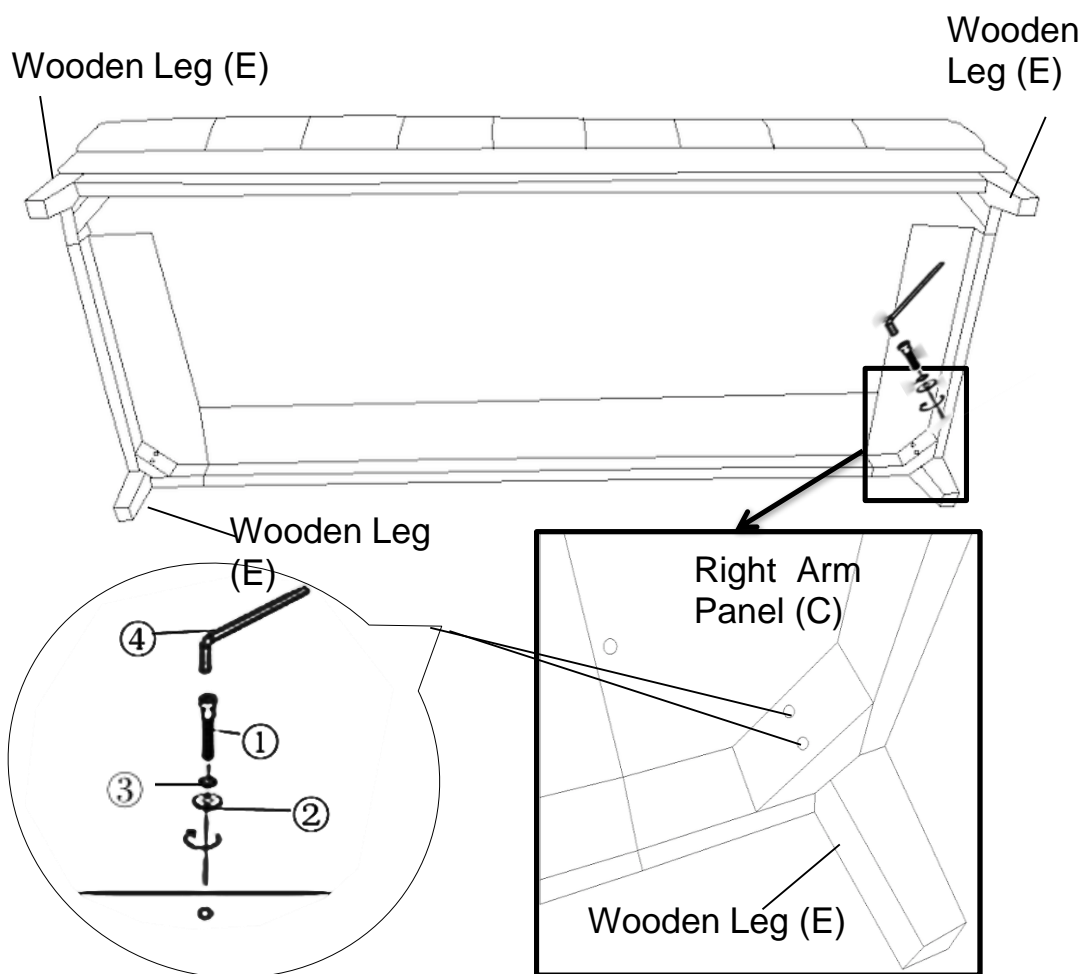
Tighten the Bolts fully in a sequential manner.

Note: If you can not insert the Bolts into position, please go back to Step 2 to "push the Sofa Seat downwards".

Fully locked position: Check and assess that the base of the Arm Panels(C&D) and Sofa Seat(A) are aligned and level.

Assistance from an adult partner is needed for this assembly process.

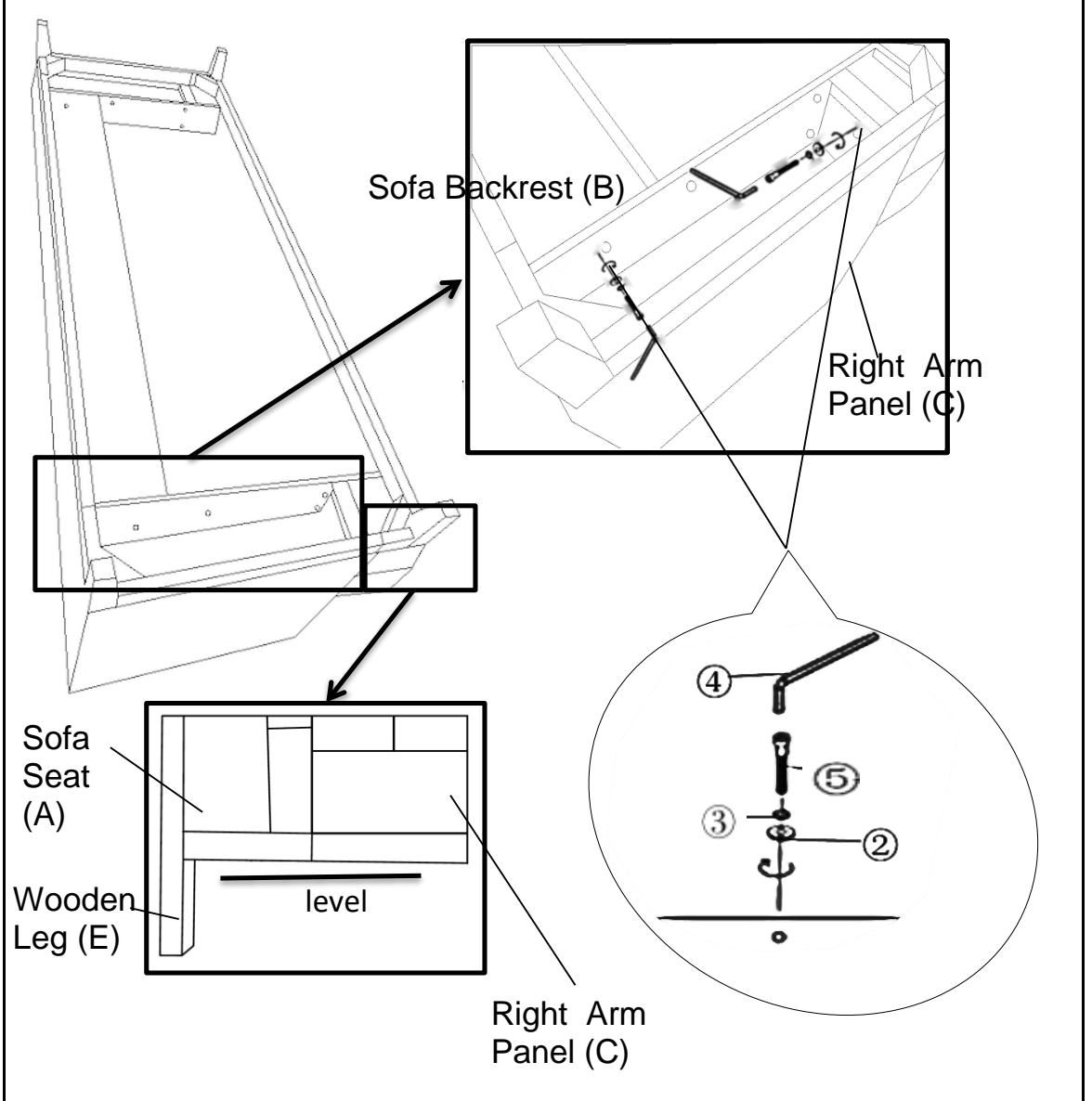
Step 4



Attach the Wooden Leg(E) to the Right Arm Panel (C) using Bolt(①), Spring Washer(③), and Washer(②) with the Allen Wrench(④) as pictured above.

Repeat the same process with the other remaining Legs.

Step 5



Attach the Right Arm Panel (C) to the Sofa Backrest(B) using Long Bolts(5), Spring Washers(3), and Washers(2) with the Allen Wrench(4) . Then, attach the Right Arm Panel (C) to the Sofa Seat(A) using Long Bolts(5), Spring Washers(3), and Washers(2) with the Allen Wrench(4) as pictured above.

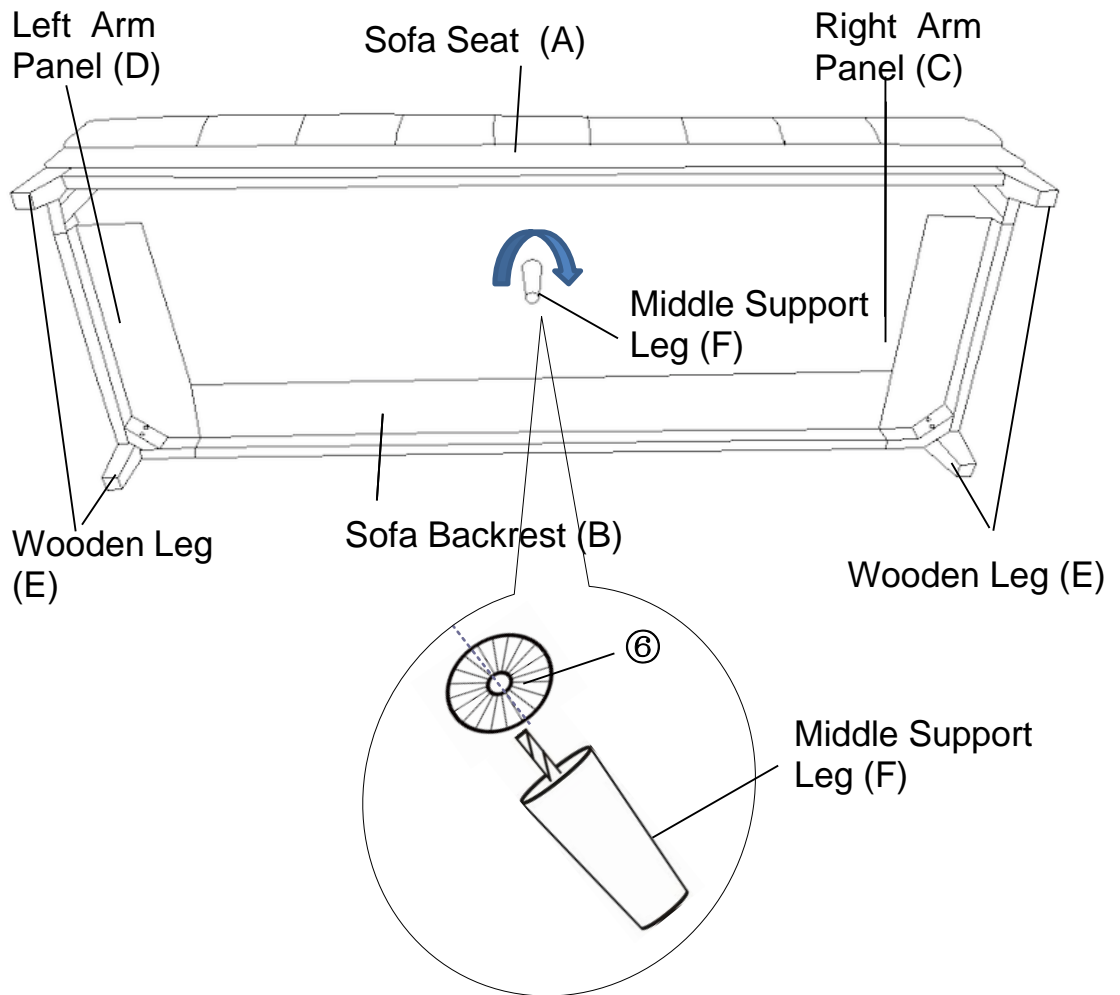
Tighten the Bolts fully in a sequential manner.

Repeat the same process with the Left Arm Panel(D).

Fully locked position: Check and assess that the base of the Arm Panels(C&D) and Sofa Seat(A) are aligned and level.

Note: If you can not insert the Bolts into position, please go back to Step 2 to "push the Sofa Seat downwards".

Step 6

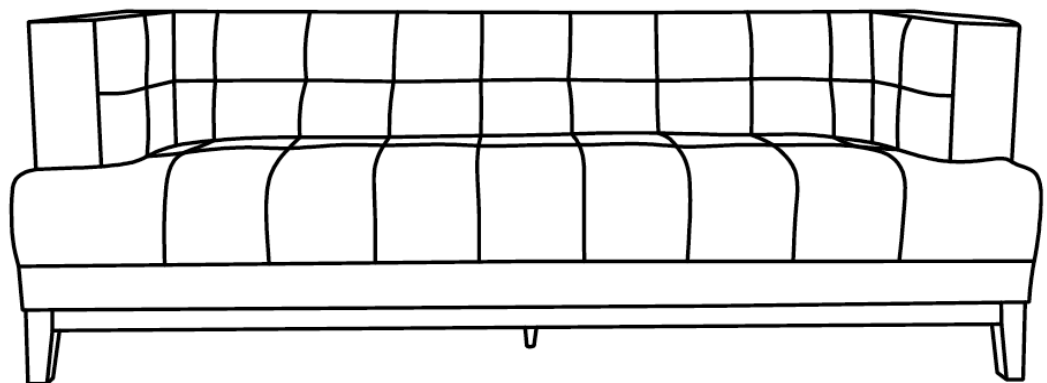


Install the Middle Support Leg (F) with a washer Ring(⑥) at the bottom of the sofa on the threaded stem.

Then insert the threaded stem into the threaded mounting position.

Tighten by turning the Leg clockwise.

Step 7



Your Sofa is ready for use.

This Sofa can only be used on a flat, level surface.

Care & Maintenance



- Furniture may scratch floors. We recommend using furniture pads to protect your floors.



- Do not put hot items directly on furniture surface.



- Do not clean furniture with harsh cleansers or polish.



- Do not place furniture under direct sunlight.



- Do not place furniture near heating or cooling vents.



- Do not write on furniture without a padded barrier to protect the surface.



- Do not place furniture outside . For indoor use only.



- Not for commercial use. For residential use only.



- Stains may be removed with mild soap solution and damp cloth.



- Children should not climb or jump on the furniture.



- Dust and pick-up spills using a clean, non-colored, lint-free cloth.