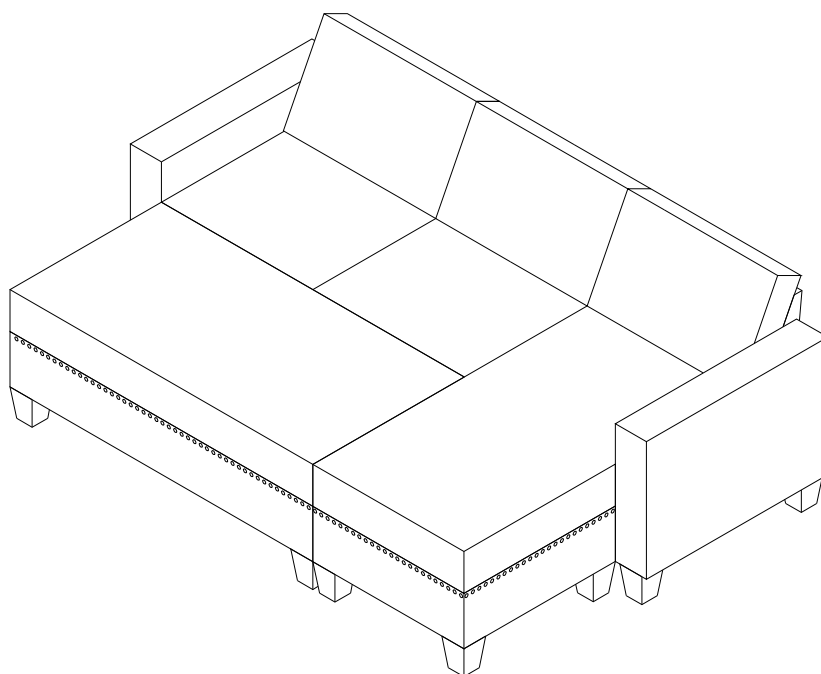


ASSEMBLY INSTRUCTION

WF282804

WF282805

WF28280

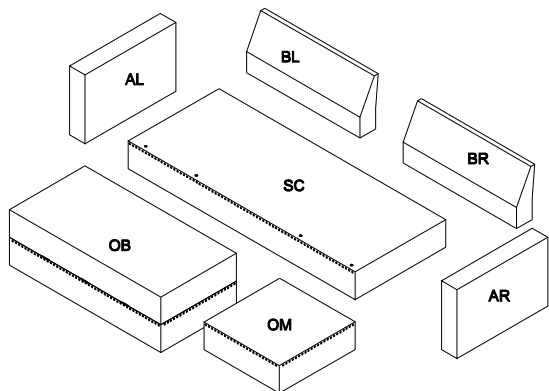


Return & Warranty policy:

- We strive to offer the highest quality products, and we also try our best to satisfy each and every customer that orders from us with replacement parts or service as needed.
- If the item is damaged or defective, please take photos as evidence for replacements and refunds.
- Please do not return to store, contact the seller if you have any troubles with this product.

ASSEMBLY INSTRUCTION

ITEM NO: WF28280



1		2
2		12

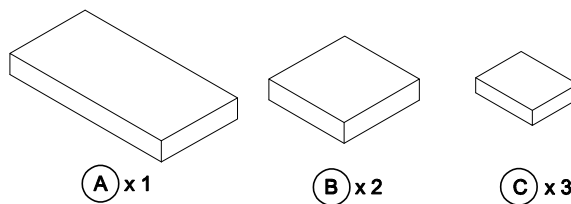


DIAGRAM 1

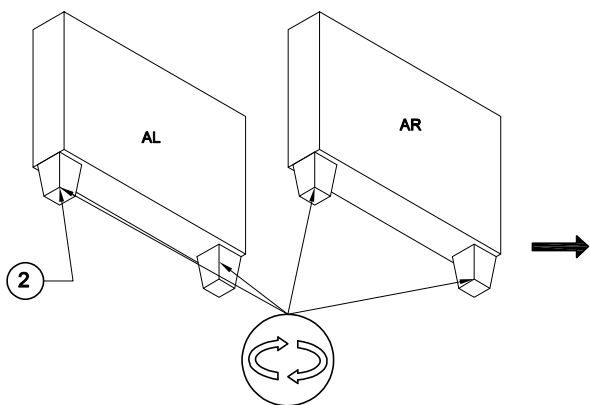


DIAGRAM 2

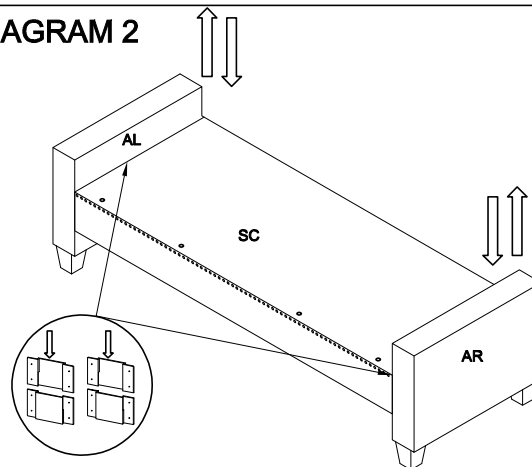


DIAGRAM 3

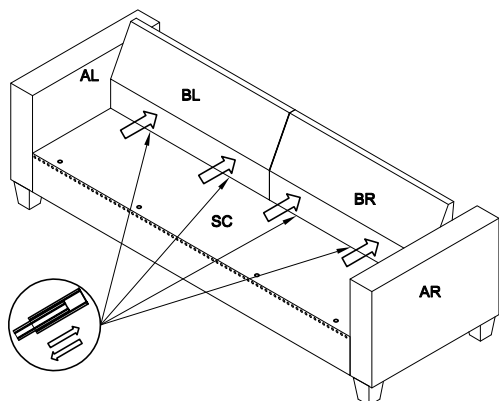


DIAGRAM 4

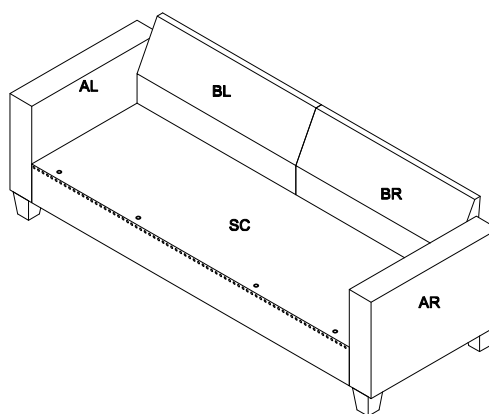


DIAGRAM 5

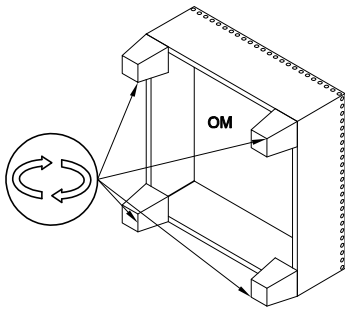
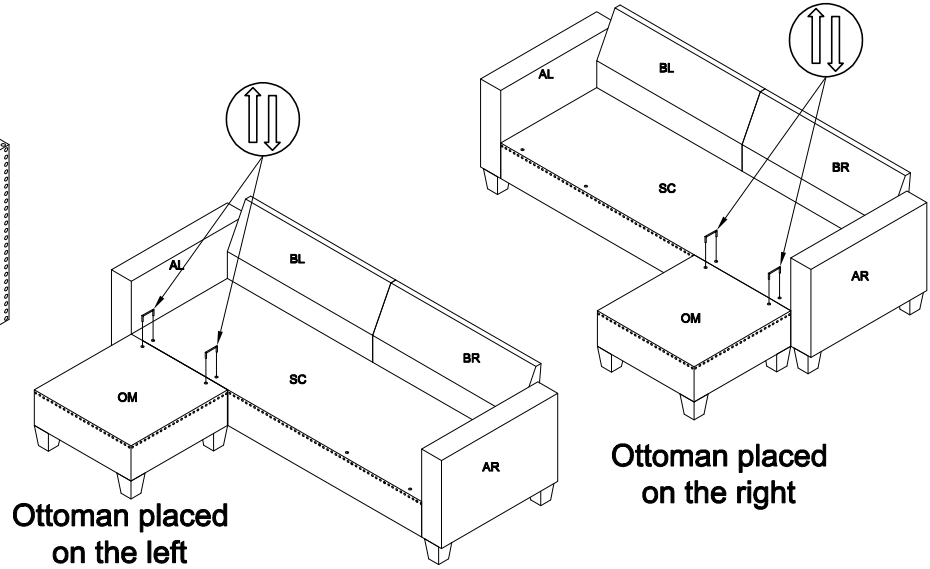


DIAGRAM 6



Ottoman placed on the left

Ottoman placed on the right

DIAGRAM 7

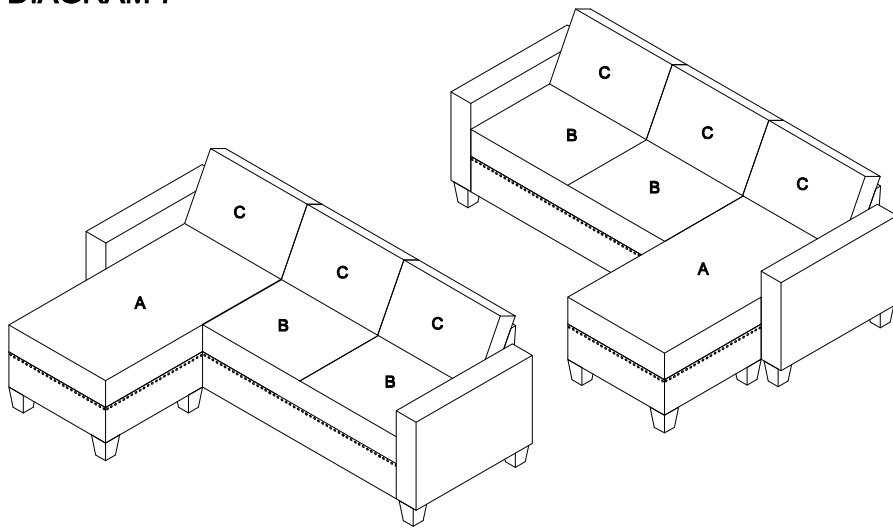


DIAGRAM 8

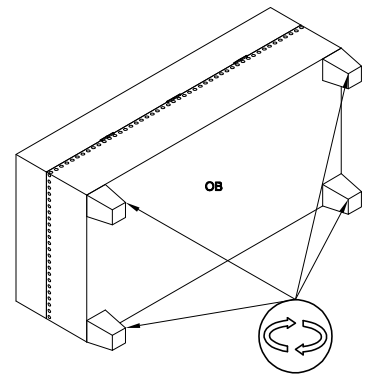


DIAGRAM 9: Long mattress can change position to suit when using

