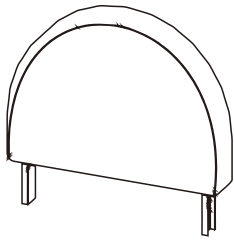


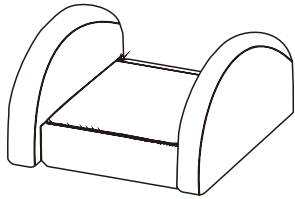
# ASSEMBLY INSTRUCTION



X1



X4



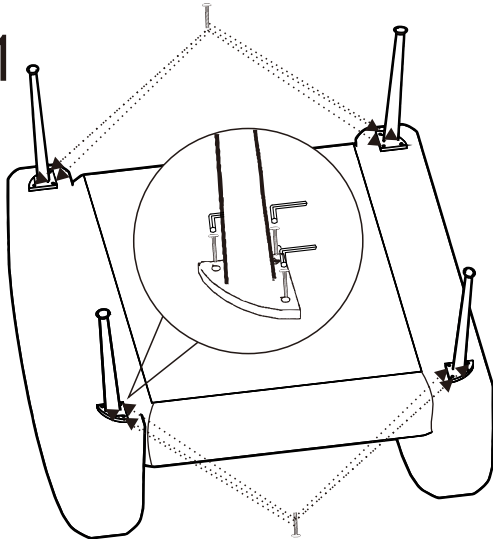
X1

 m6\*20 X12



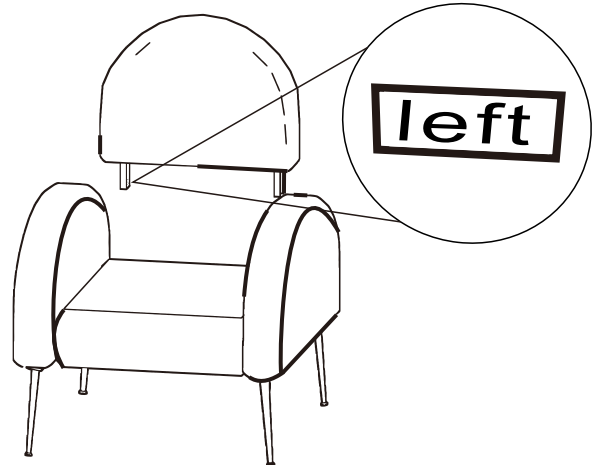
X1

1



 m6\*20 X12

2



3

