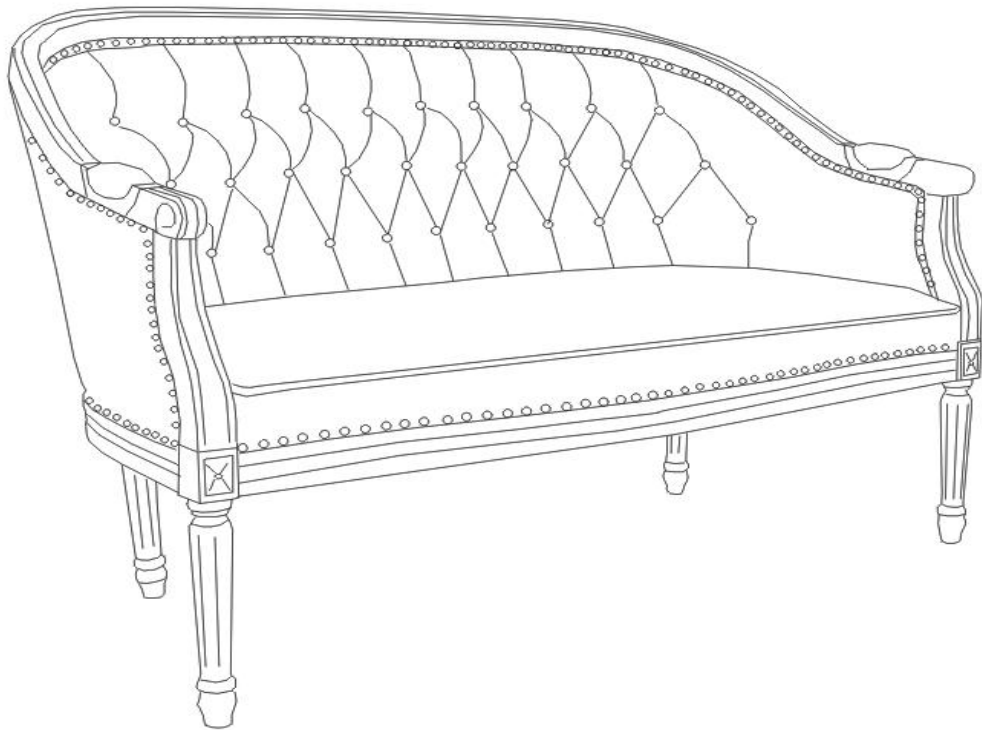


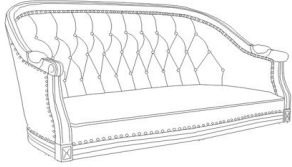


Assembly Instructions

Caution : You must read this before you proceed

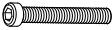
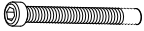



LOVESEAT



Parts List

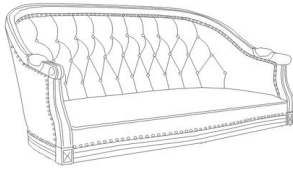
Label	Picture	Description	QTY
A		Seat	1
B		Back Leg	2
C		Front Leg	2

Hardware

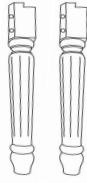
Label	Picture	Description	QTY
①		Bolt (M8*60MM)	5
②		Bolt (M8*70MM)	5
③		Spring Washer	10
④		Washer	10
⑤		Allen Wrench	1

Assembly Preparation

Before Beginning Assembly :



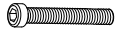
A



B



C



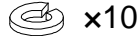
x5

①



x5

②



x10

③



x10

④



⑤



- Read instructions, cover to cover-



- Have 2 adults on hand for assembly-



- Do not assemble on flooring or carpet-



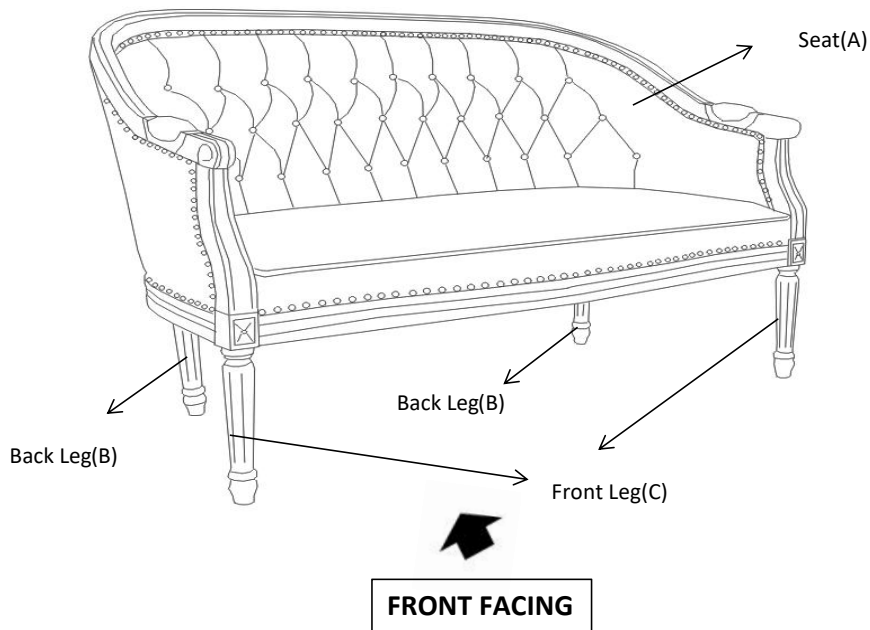
- Assemble on a clean non-marring surface (packing foam)-



- Save all packaging until finished-

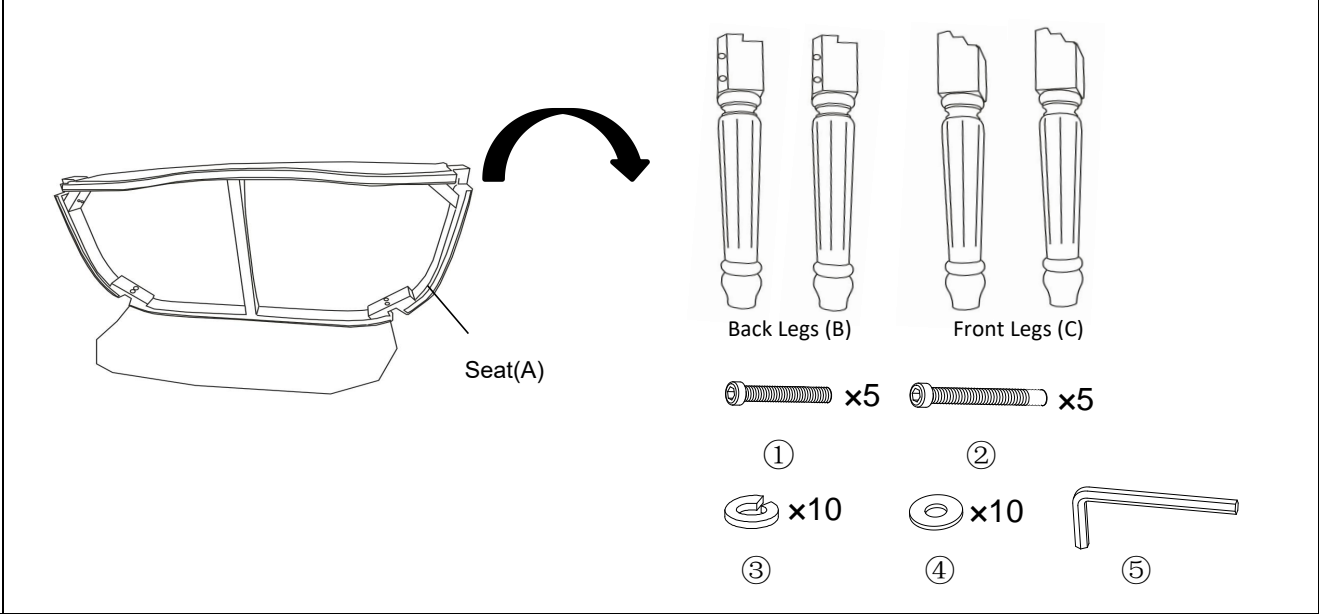
Assembly Steps

Overview



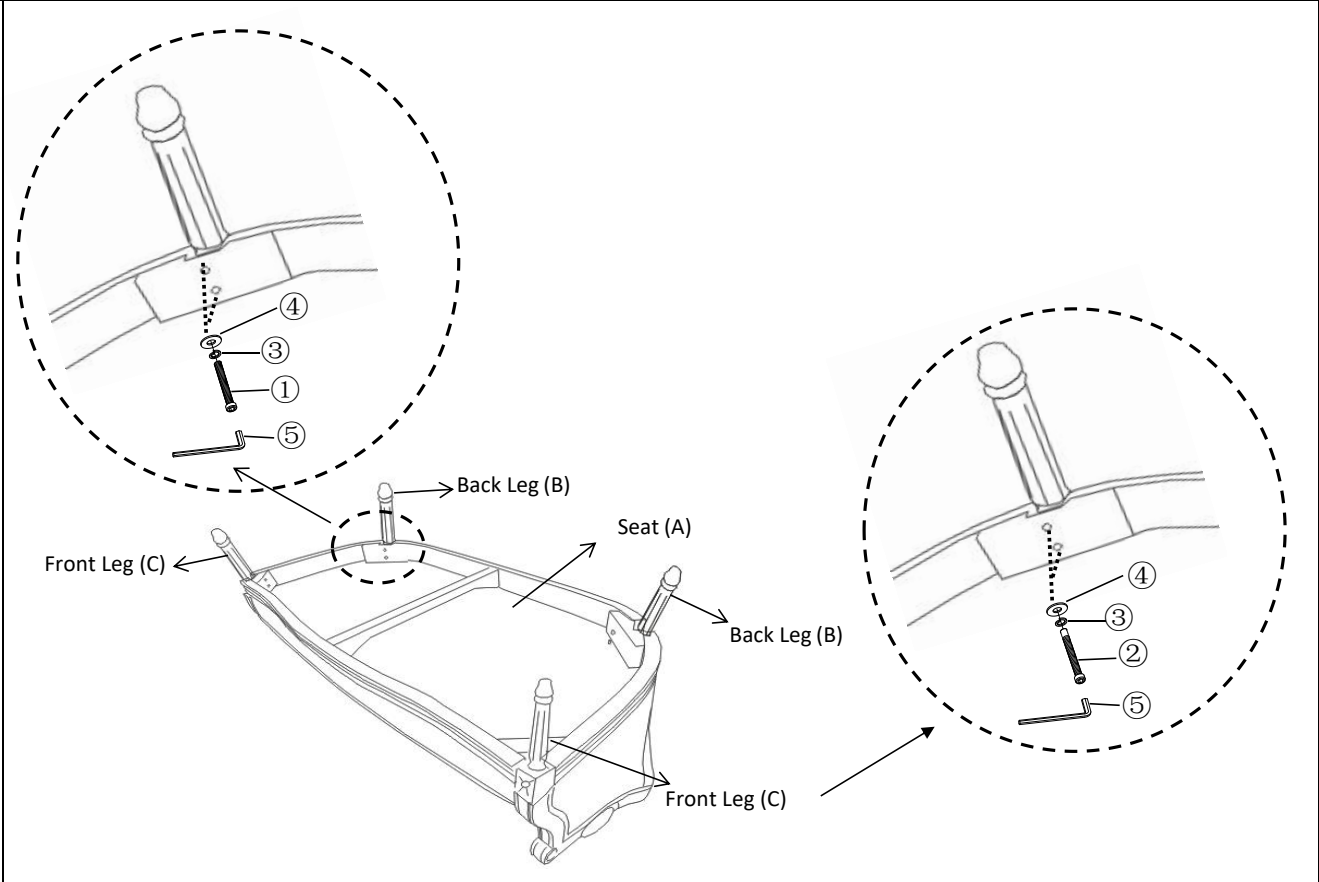
This Loveseat has multiple parts and may require up to 30 minutes to assemble. To give you an overview of the Loveseat parts, the above picture is to help you put the various parts into perspective. Please read through the instructions below to familiarise yourself with the parts and steps before assembly.

Step 1



Place the Seat(A) on a clean, non-marring surface with the bottom facing you, as shown in picture above.
 Carefully unzip the Dust Cover at the bottom, and remove the Legs and Hardware.

Step 2



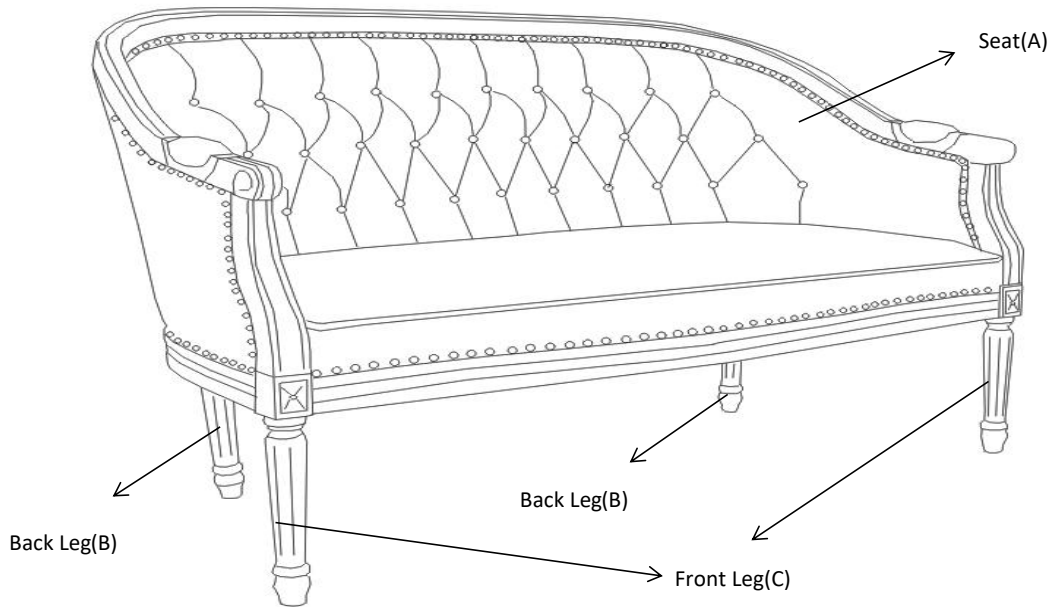
Insert one Back Leg(B) into the mounting position of Seat(A) and attach using Bolts(①), Spring Washers(③) and Washers(④) with Allen Wrench(⑤).

Do not fully tighten the Bolts.

Repeat the same process to attach the remaining three Legs.

Attention: The Front Legs(C) using the longer Bolts(②).

Step 3



Test for Stability

Stand the Loveseat up.

Place the Loveseat on a **LEVEL SURFACE**.

Inspect it and make sure all parts are adequately connected.

Gently and carefully, sit on the Loveseat.

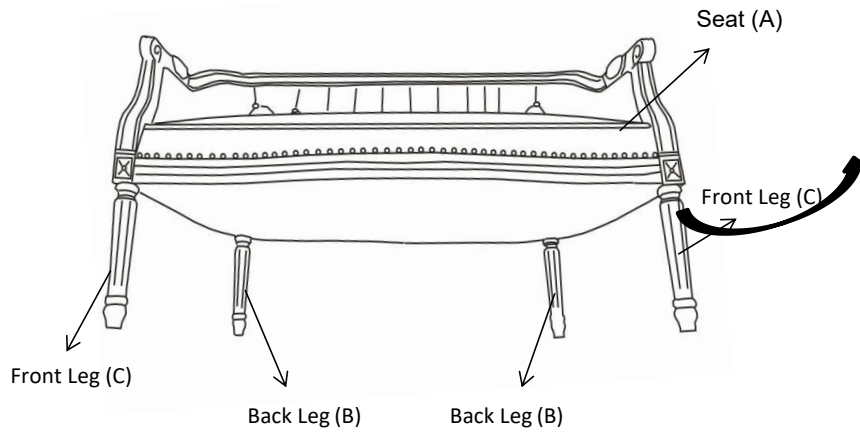
This will help to align all parts at all joints.

Then get off the Loveseat, and carefully place the Loveseat facedown.

Then proceed to tighten all Bolts at all joints in a sequential manner.

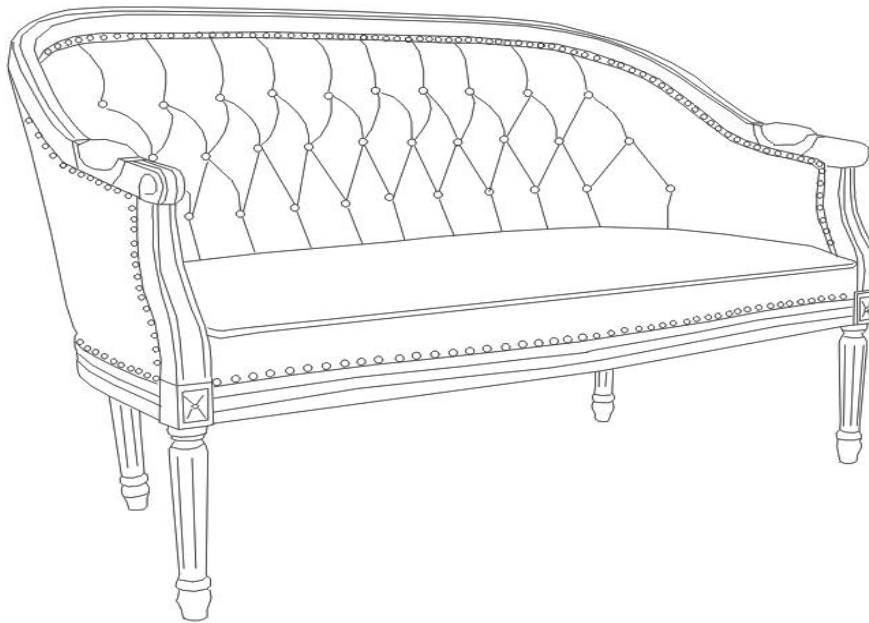
If there are still wobbles, loosen the Bolts and execute the same process.

Step 4



Finally, seal the Dust Cover back on to the underside of the Seat(A).

Step 5



Your Loveseat Chair is ready for use.
This Loveseat Chair can only be used on a flat, level surface.

Care & Maintenance



- Furniture may scratch floors. We recommend using furniture pads to protect your floors.



- Do not put hot items directly on furniture surface.



- Do not clean furniture with harsh cleansers or polish.



- Do not place furniture under direct sunlight.



- Do not place furniture near heating or cooling vents.



- Do not write on furniture without a padded barrier to protect the surface.



- Do not place furniture outside . For indoor use only.



- Not for commercial use. For residential use only.



- Stains may be removed with mild soap solution and damp cloth.



- Children should not climb or jump on the furniture.



- Dust and pick-up spills using a clean, non-colored, lint-free cloth.