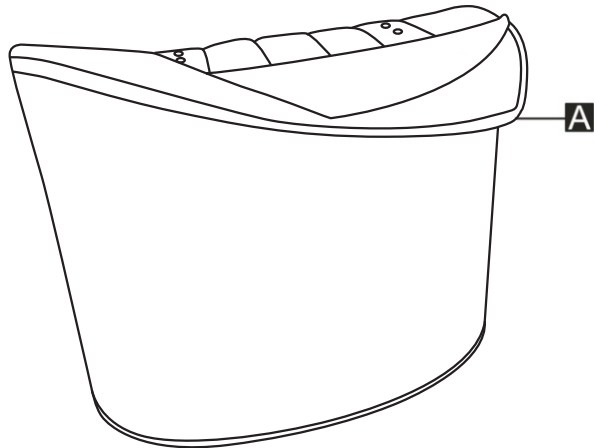
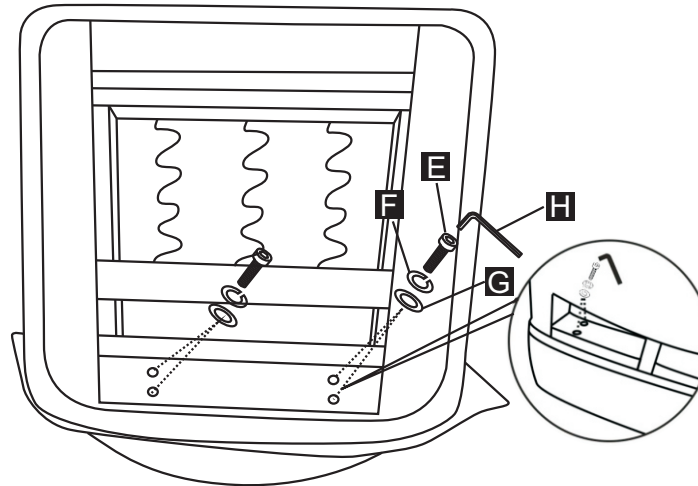


AC125 ASSEMBLY INSTRUCTION



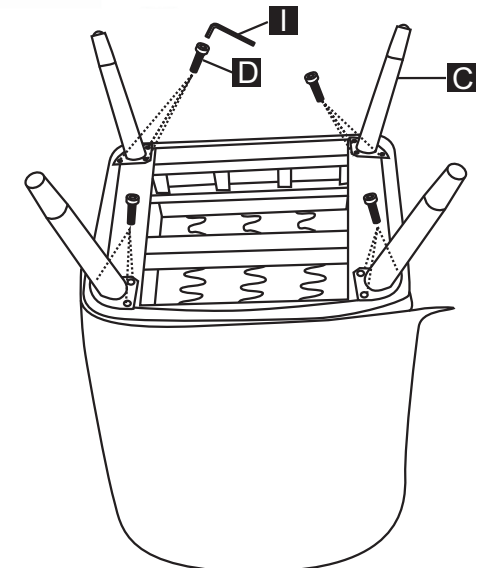
Open the fabric cover from the back

1



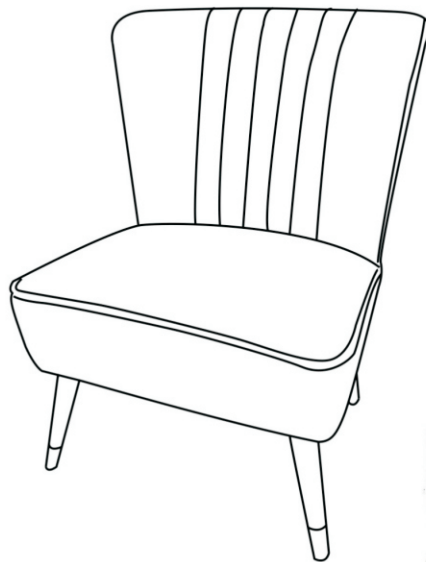
Put the screws in the holes, tight the screws, but not too tight, 100% is ok.

2



Put the screws in the holes, tight the screws, but not too tight, 90% is ok.

3



4

Stand the chair upright & ensure it is level before tightening all screws, Then tight all the screws to 100%. Then Stick the black part on the seat

<p>A</p> <p>1PC</p>	<p>B</p> <p>1PC</p>	<p>C</p> <p>4PCS</p>
<p>D</p> <p>M6*20mm 12PCS</p>	<p>E</p> <p>M8*60mm 4PCS</p>	<p>F</p> <p>M8 4PCS</p>
<p>G</p> <p>M8 4PCS</p>	<p>H</p> <p>M8 1PC</p>	<p>I</p> <p>M6 1PC</p>

CAUTION: Leg and hardware pack inside dust cover underneath seat cushion