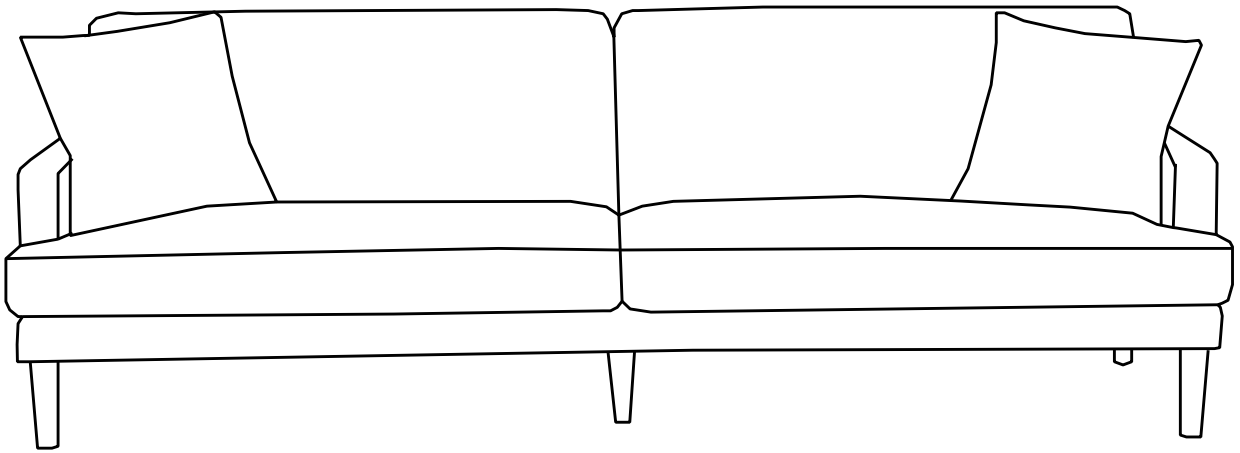


Assembly Instructions

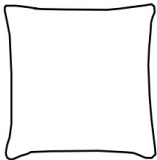

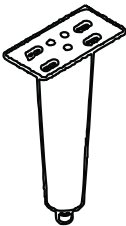
Caution: You must read this before you proceed

Sofa





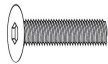


Parts List

Label	Picture	Description	QTY(pc)
A	A line drawing of the left arm seat base. It is a rectangular frame with a slightly raised front edge and a small notch on the right side.	Left Arm Seat Base	1
B	A line drawing of the right arm seat base. It is a rectangular frame with a slightly raised front edge and a small notch on the left side.	Right Arm Seat Base	1
C	A line drawing of the backrest. It is a simple rectangular shape with rounded corners and a slightly curved top edge.	Backrest	2

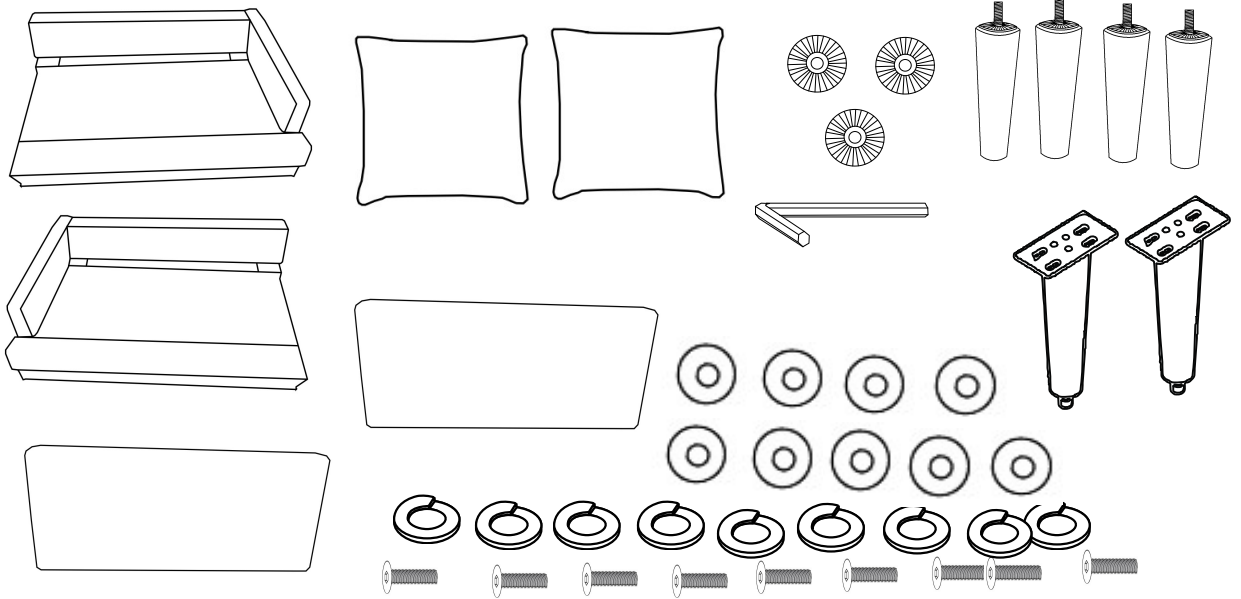
D		Pillow	2
E		Leg with Plastic Gasket	4
F		Middle leg	2

Hardware List

Label	Picture	Description	QTY
①		Spare Plastic Gasket	3
②		Allen Key	1
③		Spring Ring	9
④		Flat Gasket	9
⑤		Bolt(M8*40mm)	9

Assembly Preparation

Before
Beginning
Assembly:



- Read instructions, cover to cover-



- Have 2 adults on hand for assembly-



- Do not assemble on flooring or carpet-

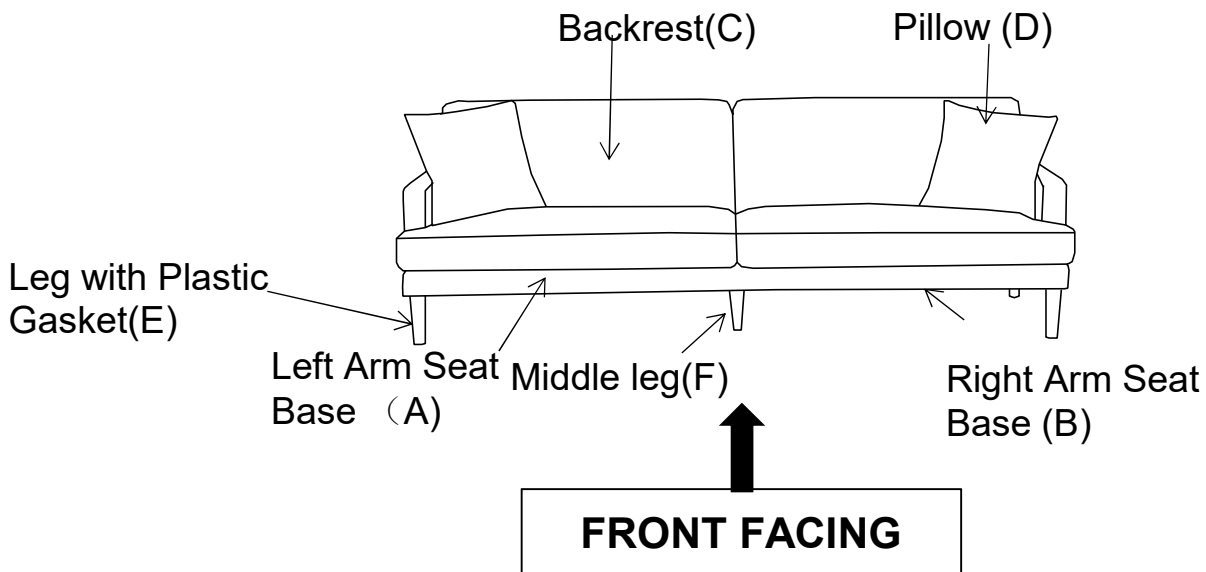


- Assemble on a clean non-marring surface (packing foam)-



- Save all packaging until finished-

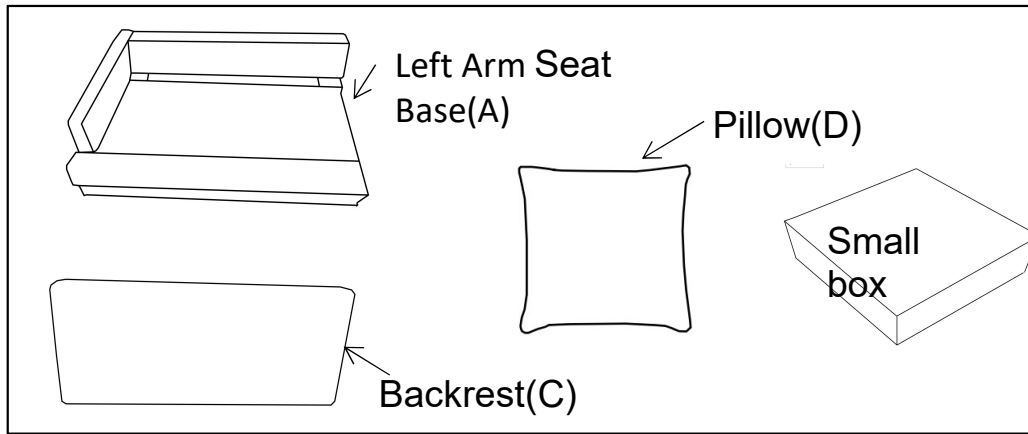
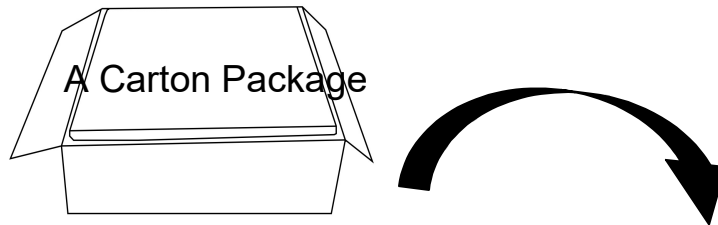
Assembly Steps



This Sofa has multiple parts and may require about 30 minutes to assemble. To give you an overview of the Sofa parts, the above picture is to help you put the various parts into perspective. Please read through the instructions below to familiarise yourself with the parts and steps before assembly.

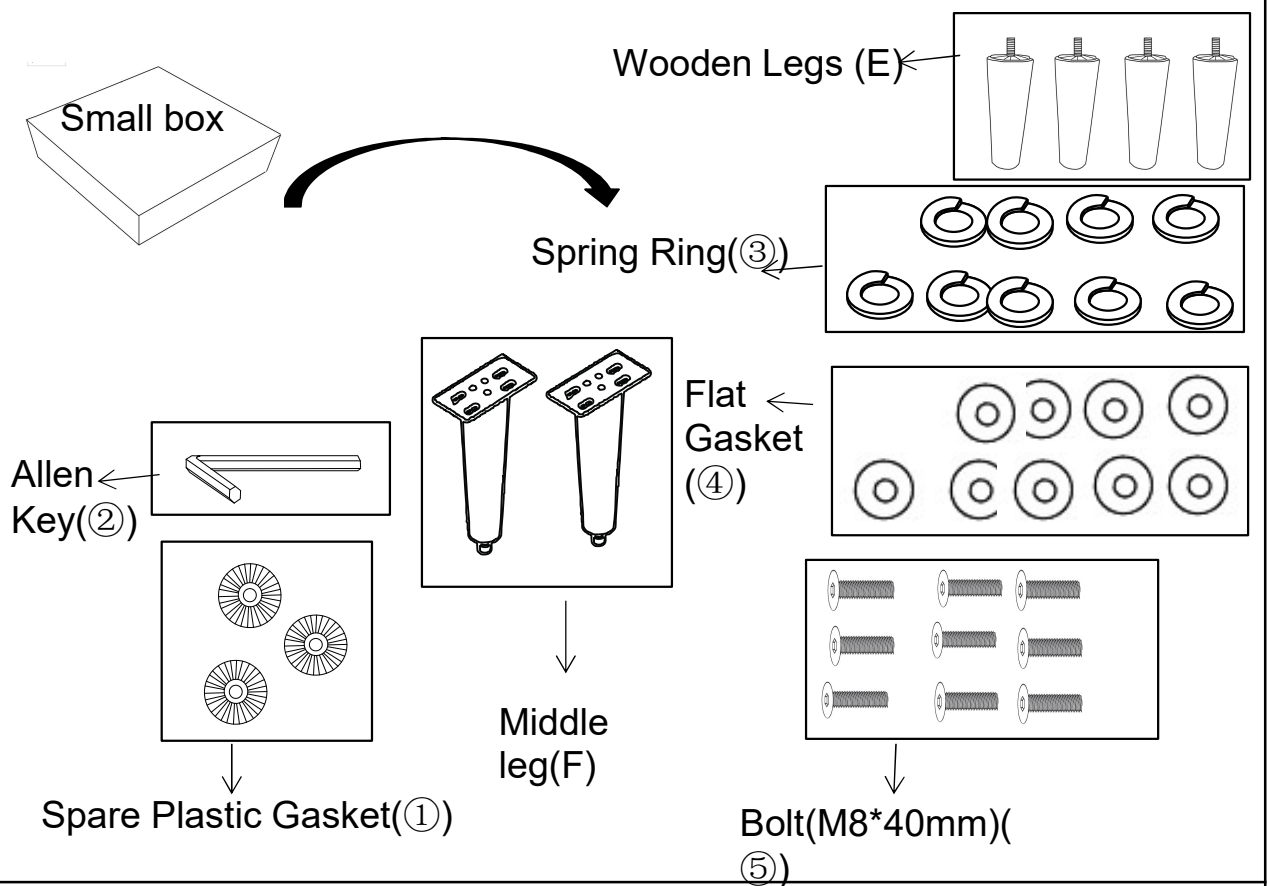
Note:It is recommended that you have an adult partner to assist you during the entire assembly process.

Step 1



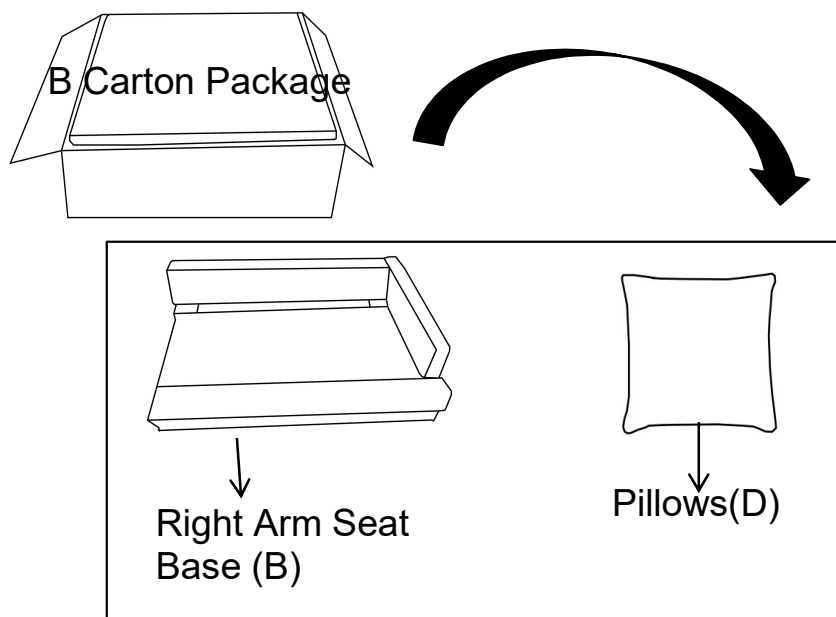
Take the Left Arm Seat Base (A), Backrest(C),Pillow(D) and a Small box out from the carton "A" and place them on a clean, non-marring surface.

Step 2



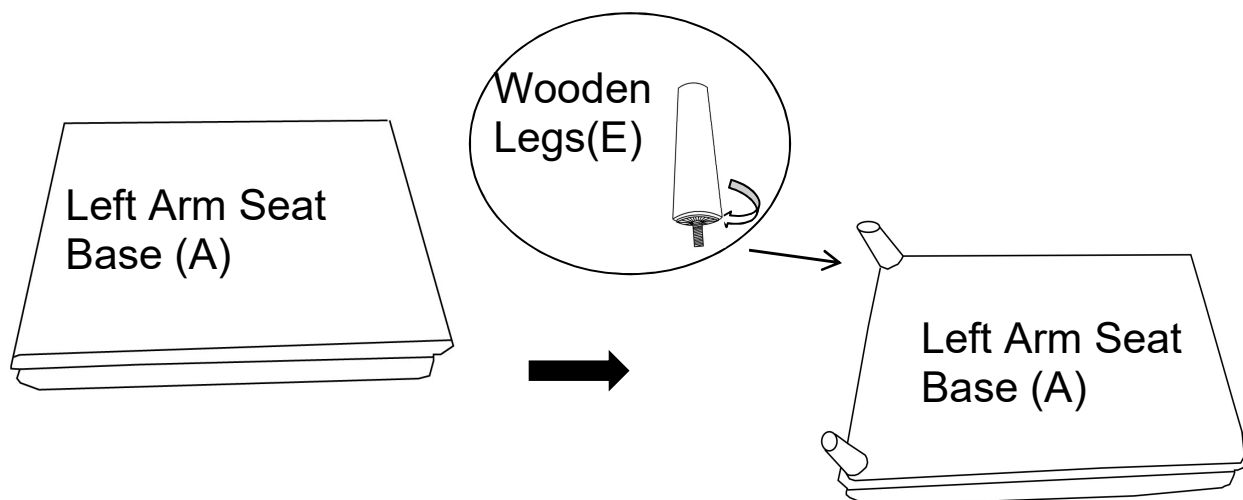
Open the Small Box to take out the 4 Wooden Legs (E), 2 Middle legs(F) and the Hardware.

Step 3



Take out the Right Arm Seat Base (B), Backrest(C) and Pillows(D) from the "B" carton , then place them on a clean, non-marring surface.

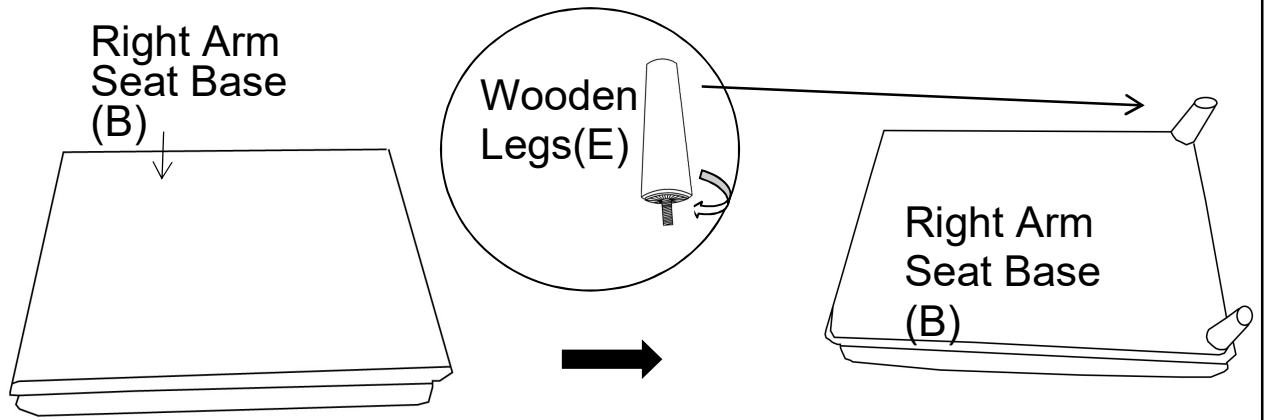
Step 4



With assistance from your adult partner, carefully install one of the Wooden Legs(E) at the bottom of the Left Arm Seat Base (A). Tighten by turning the Leg clockwise. Repeat the same process to install the remaining one leg.

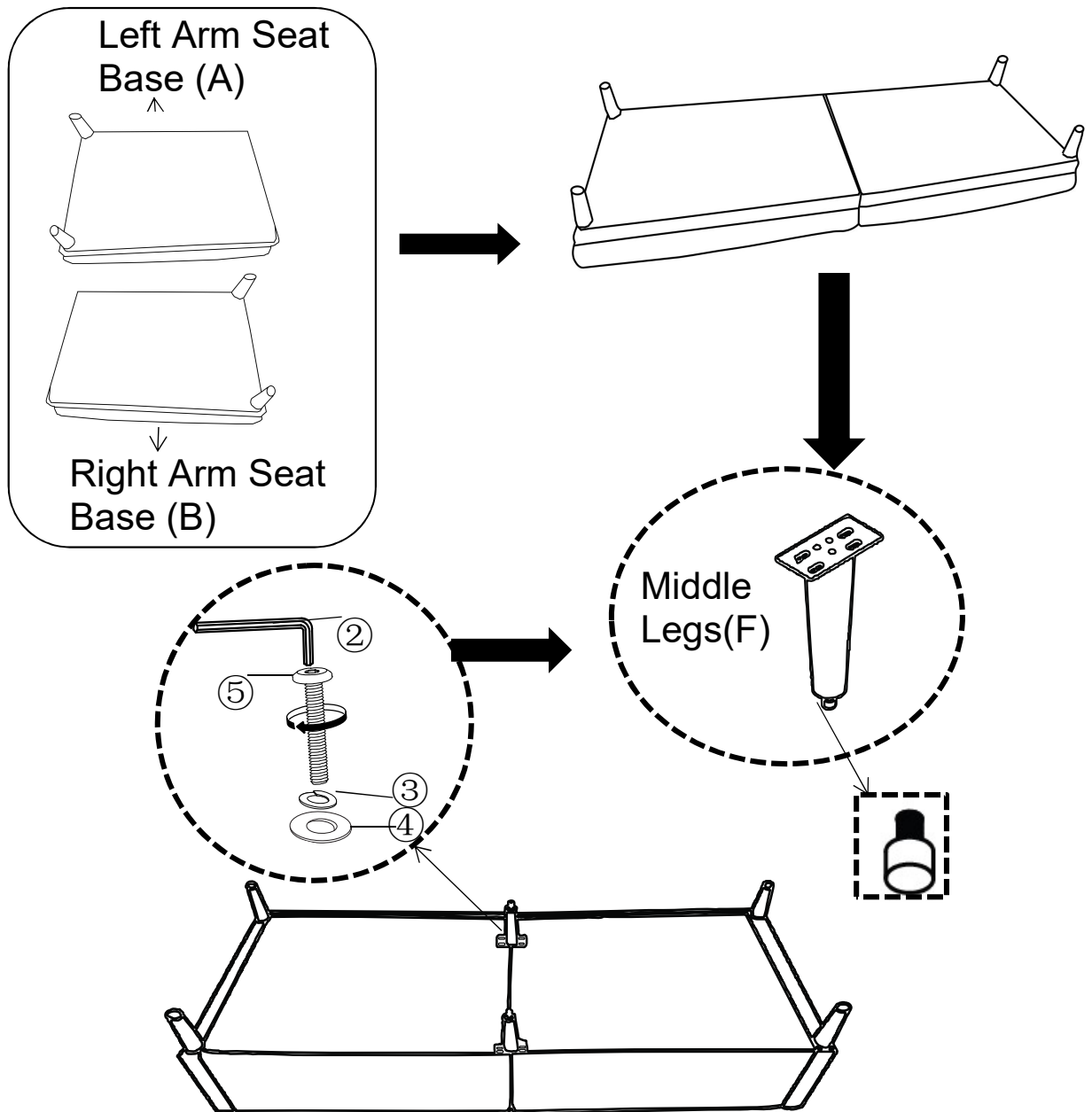
Note:The use of the Spare Plastic Gaskets (①) is **OPTIONAL**; they are especially useful to help alleviate slight wobbleness. Some Legs may need more than one gasket while other legs may not need any.

Step 5



Repeat the same process to install the wooden legs(E) on the Right Arm Seat Base(B).

Step 6

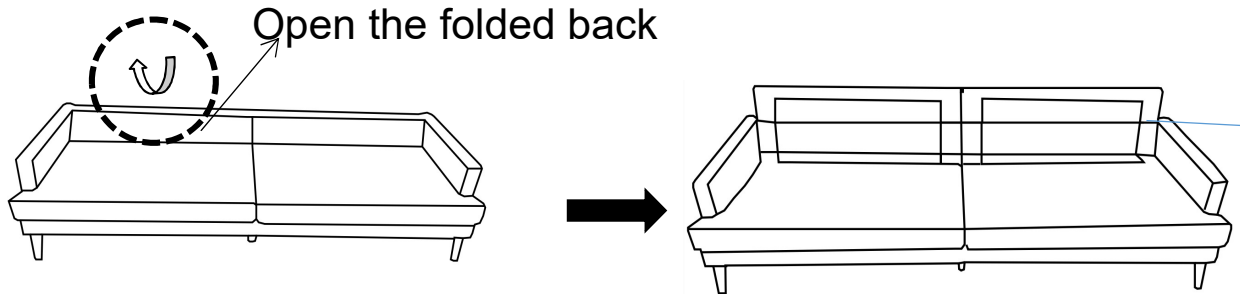


6.1 With assistance from your adult partner, carefully place the Left Arm Seat Base(A) and the Right Arm Seat Base(B) together on a clean non-marring surface. Then install the Middle Legs(F) to the middle of the Seat Base. Insert one Bolt(5) with one Spring Ring(3) and a Flat Gasket(4) using the Allen Key to tighten(2).

6.2 Then insert and tighten a Bolt (⑤) with a Spring Ring(③) and a Flat Gasket(④) using the Allen Key(②) on the other side of the Middle leg. Repeat the same process to install the remaining leg.

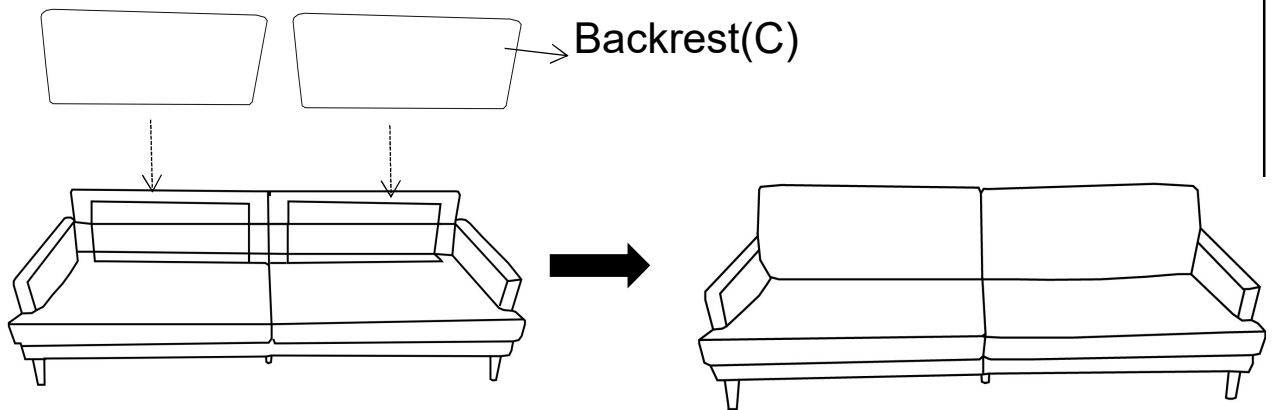
Note:The use of the Middle leg leveller is especially useful to help adjust any unevenness of the middle legs.

Step 7



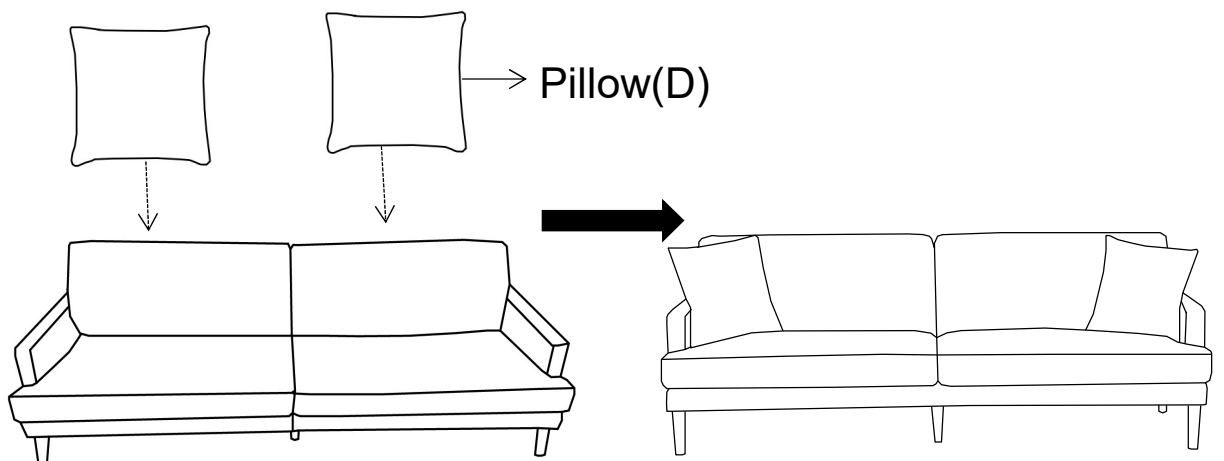
After installing the legs, turn the seat base back to an upright position. Then open the folded back as in the above picture.

Step 8



Place the Backrests(C) on the Sofa in the position as pictured above.

Step 9



Place the Pillows(D) on the Sofa.
 Your Sofa is ready for use.
 This Sofa can only be used on a flat, level surface.

Care & Maintenance

- ✓  • Furniture may scratch floors. We recommend using furniture pads to protect your floors.
- ⊘  • Do not put hot items directly on furniture surface.
- ⊘  • Do not clean furniture with harsh cleansers or polish.
- ⊘  • Do not place furniture under direct sunlight.
- ⊘  • Do not place furniture near heating or cooling vents.
- ⊘  • Do not write on furniture without a padded barrier to protect the surface.
- ⊘  • Do not place furniture outside . For indoor use only.
- ⊘  • Not for commercial use. For residential use only.
- ⊘  • Stains may be removed with mild soap solution and damp cloth.
- ⊘  • Children should not climb or jump on the furniture.
- ✓  • Dust and pick-up spills using a clean, non-colored, lint-free cloth.

Questions & Answers about Proposition 65

• What is Proposition 65?

Proposition 65 requires businesses to provide warnings to Californians about significant exposures to chemicals that cause cancer, birth defects or other reproductive harm. These chemicals can be in the products that Californians purchase, in their homes or workplaces, or that are released into the environment. By requiring that this information be provided, Proposition 65 enables Californians to make informed decisions about their exposures to these chemicals.

Proposition 65 also prohibits California businesses from knowingly discharging significant amounts of listed chemicals into sources of drinking water.

Proposition 65 requires California to publish a list of chemicals known to cause cancer, birth defects or other reproductive harm. This list, which must be updated at least once a year, has grown to include approximately 900 chemicals since it was first published in 1987.

• What types of chemicals are on the Proposition 65 list?

The list contains a wide range of naturally occurring and synthetic chemicals that include additives or ingredients in pesticides, common household products, food, drugs, dyes, or solvents. Listed chemicals may also be used in manufacturing and construction, or they may be byproducts of chemical processes, such as motor vehicle

• What does a warning mean?

If a warning is placed on a product label or posted or distributed at a workplace, a business, or in rental housing, the business issuing the warning is aware or believes that it is exposing individuals to one or more listed chemicals.

By law, a warning must be given for listed chemicals unless the exposure is low enough to pose no significant risk of cancer or is significantly below levels observed to cause birth defects or other reproductive harm.

• Where can I get more information on Proposition 65?

If you have specific questions on the administration or implementation of Proposition 65, you can contact OEHHA's Proposition 65 program at P65.Questions@oehha.ca.gov, or by phone at (916) 445-6900.