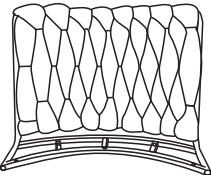
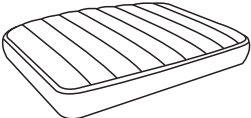
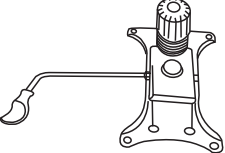
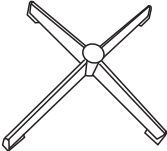


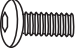



ASSEMBLY INSTRUCTION

Ax1	
Bx1	
Cx1	
Dx1	
Ex1	
Fx1	
Gx4	
Hx5	
Ix1	