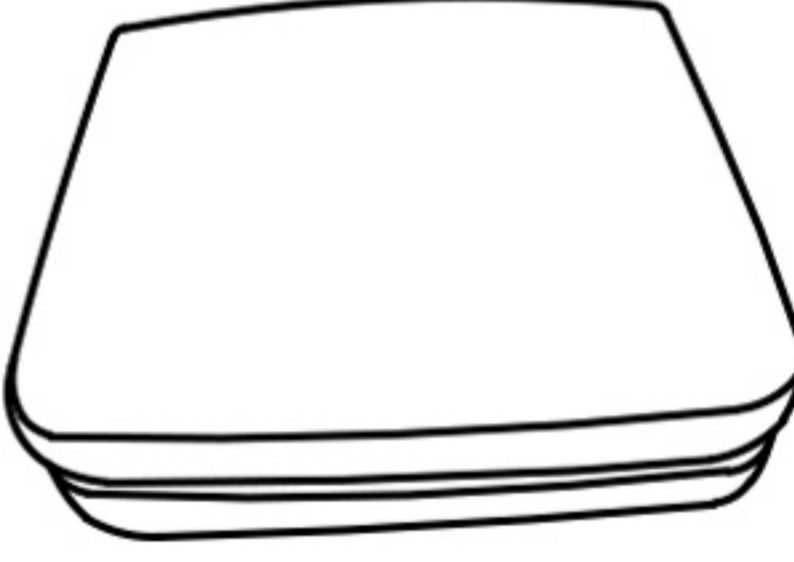
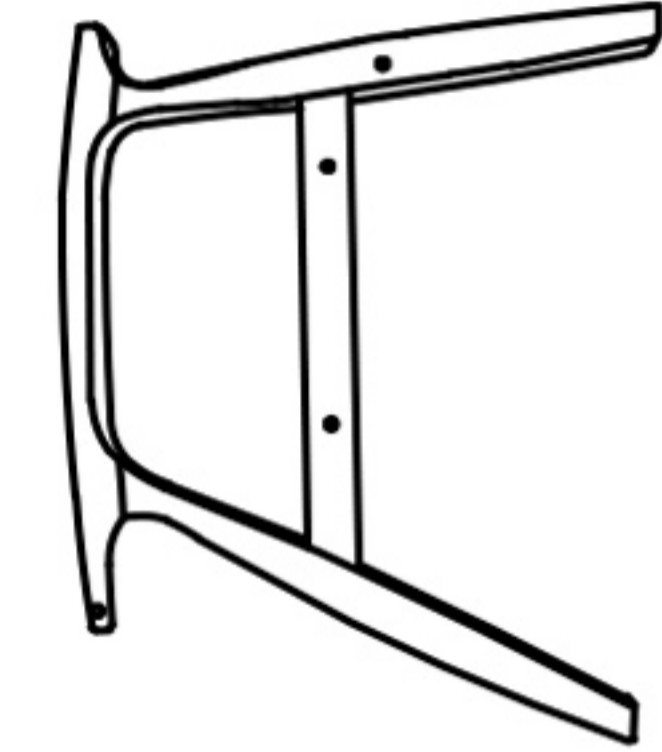
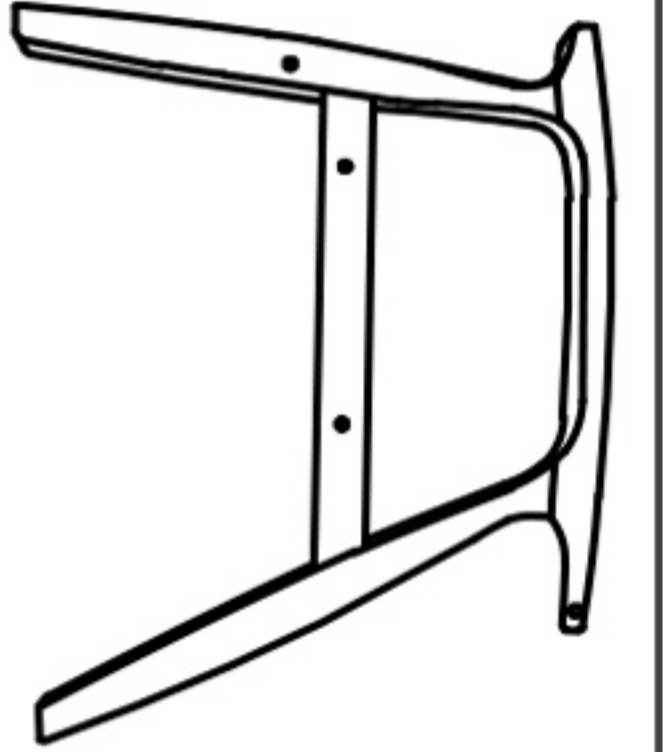
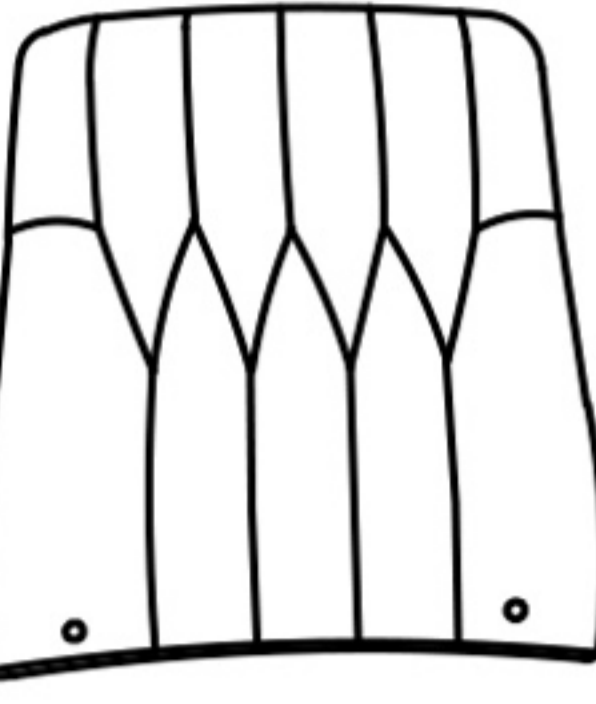

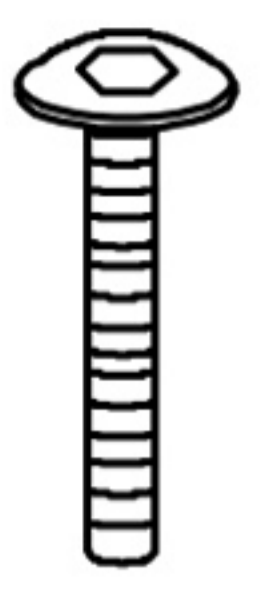
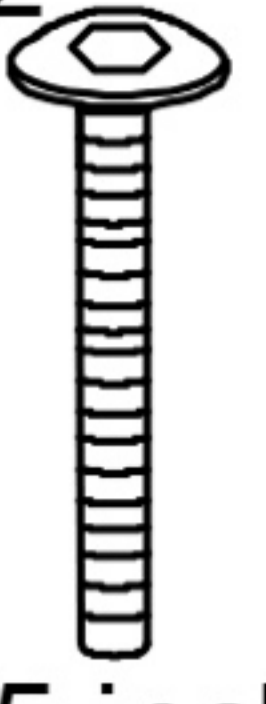
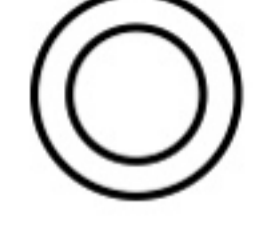
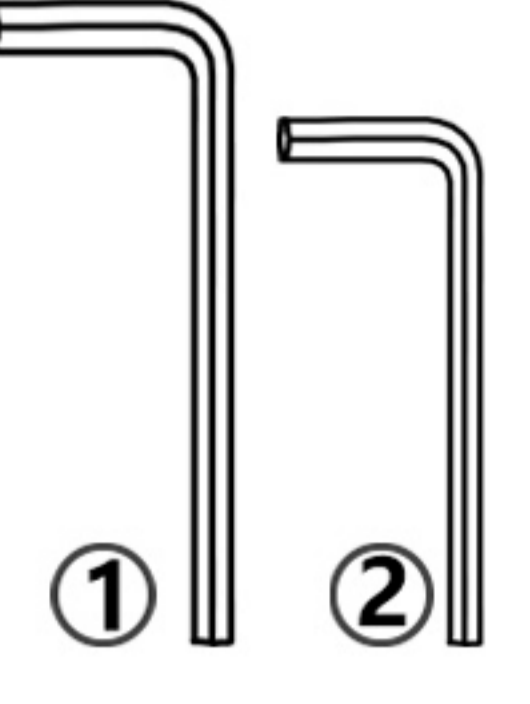
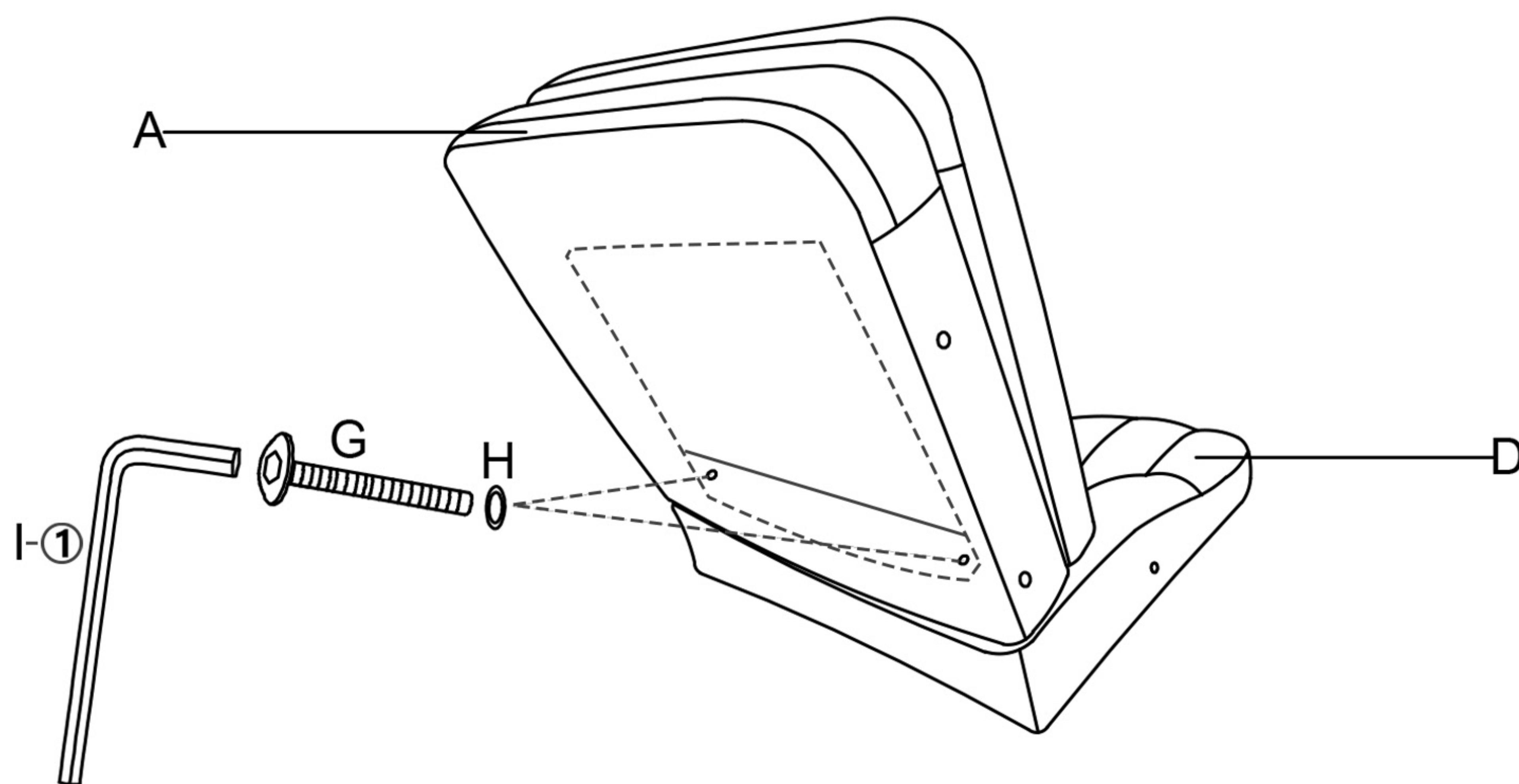


Assembly Instruction

PART LIST

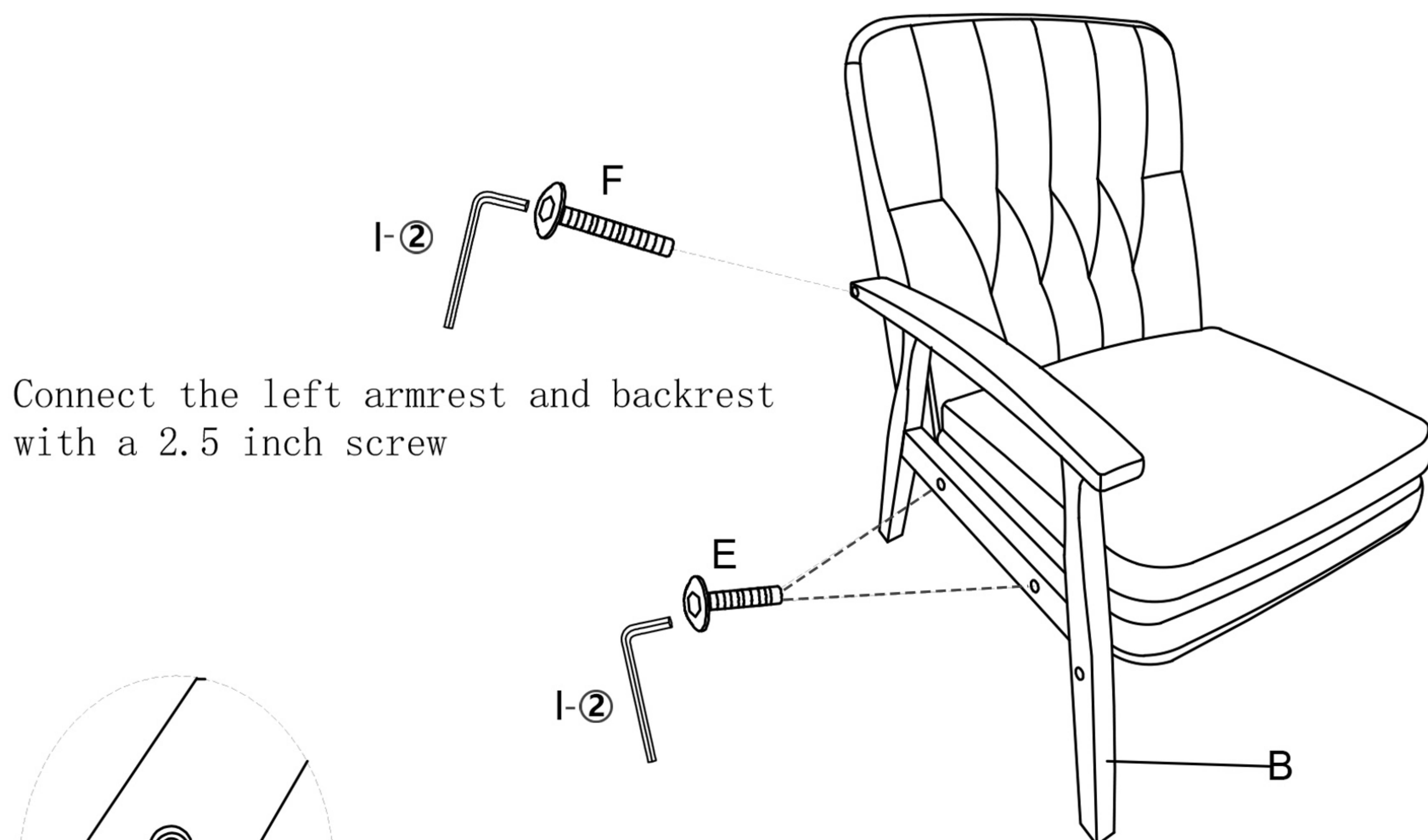
Ax1  cushion	Bx1  Left armrest	Cx1  Right armrest	Dx1  back	Ex4  1.8 inch screw	Fx4  2.5 inch screw	Gx2  3.5 inch screw	Hx2  pad	Ix2  Wrench
--	--	---	---	--	--	--	---	--

Step 1



Connect the backrest and cushion with two 3.5-inch screws.

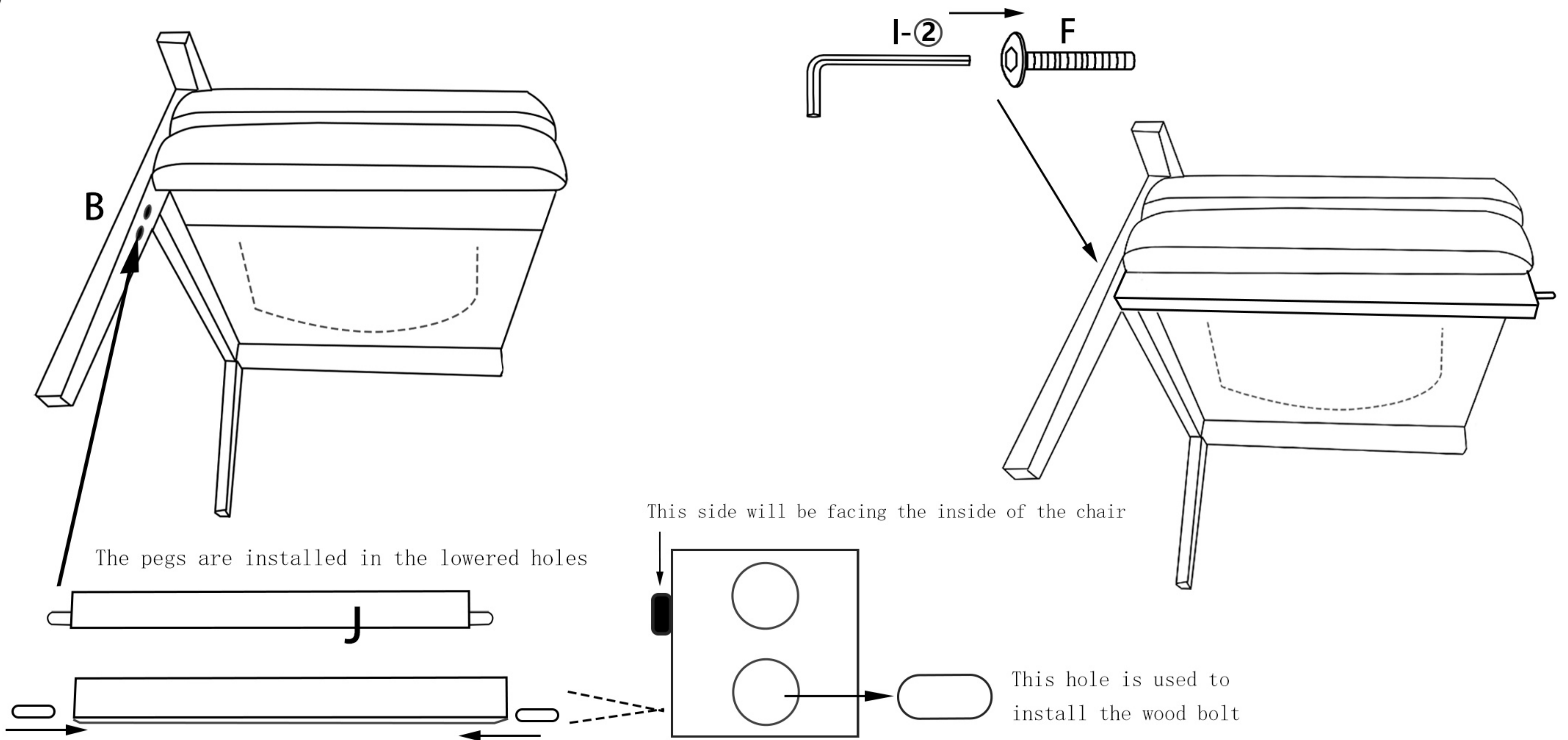
Step 2



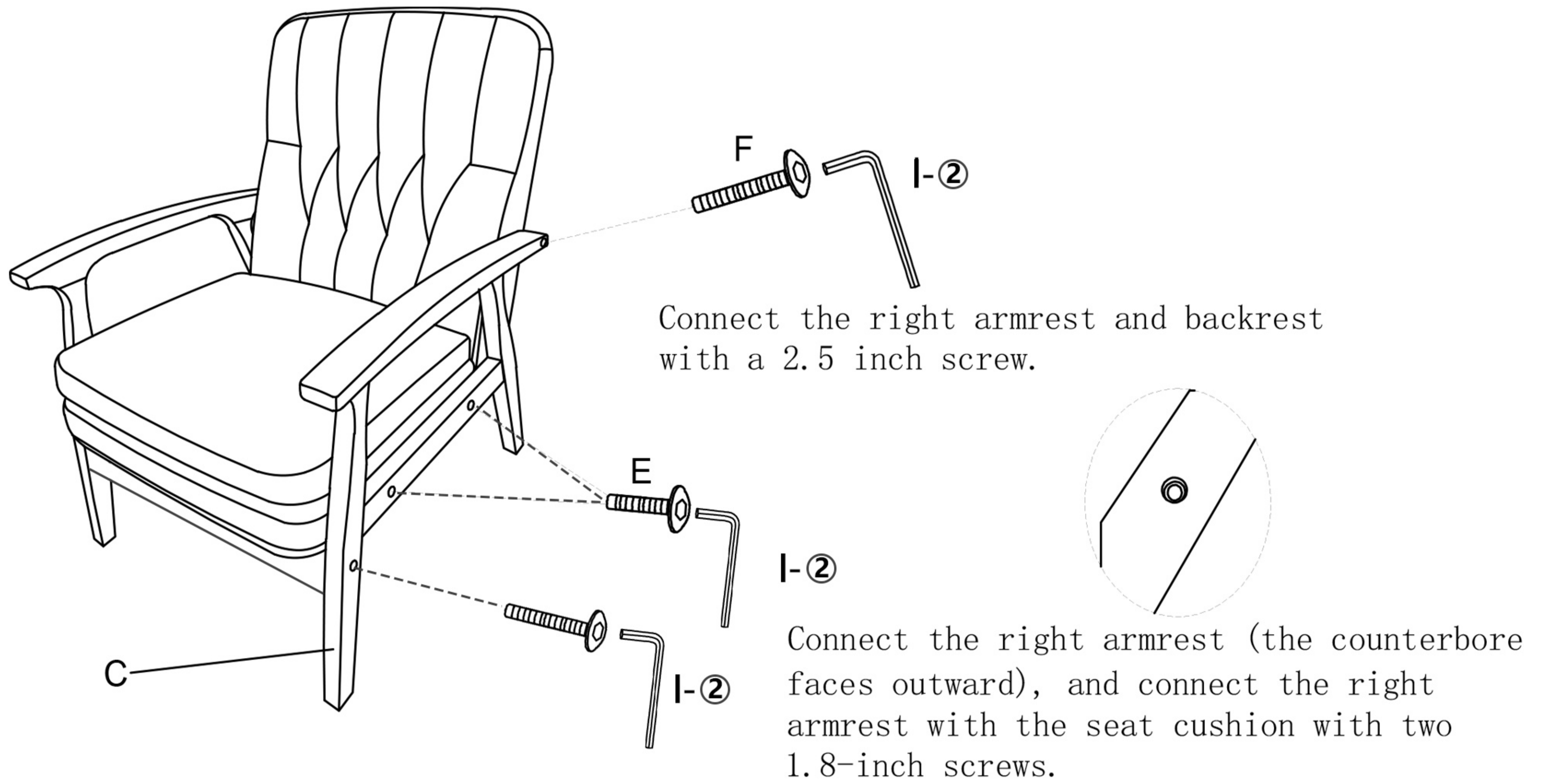
Connect the left armrest and backrest with a 2.5 inch screw

Connect the left armrest (the counterbore faces outward), and use two 1.8-inch screws to connect the left armrest with the seat cushion.

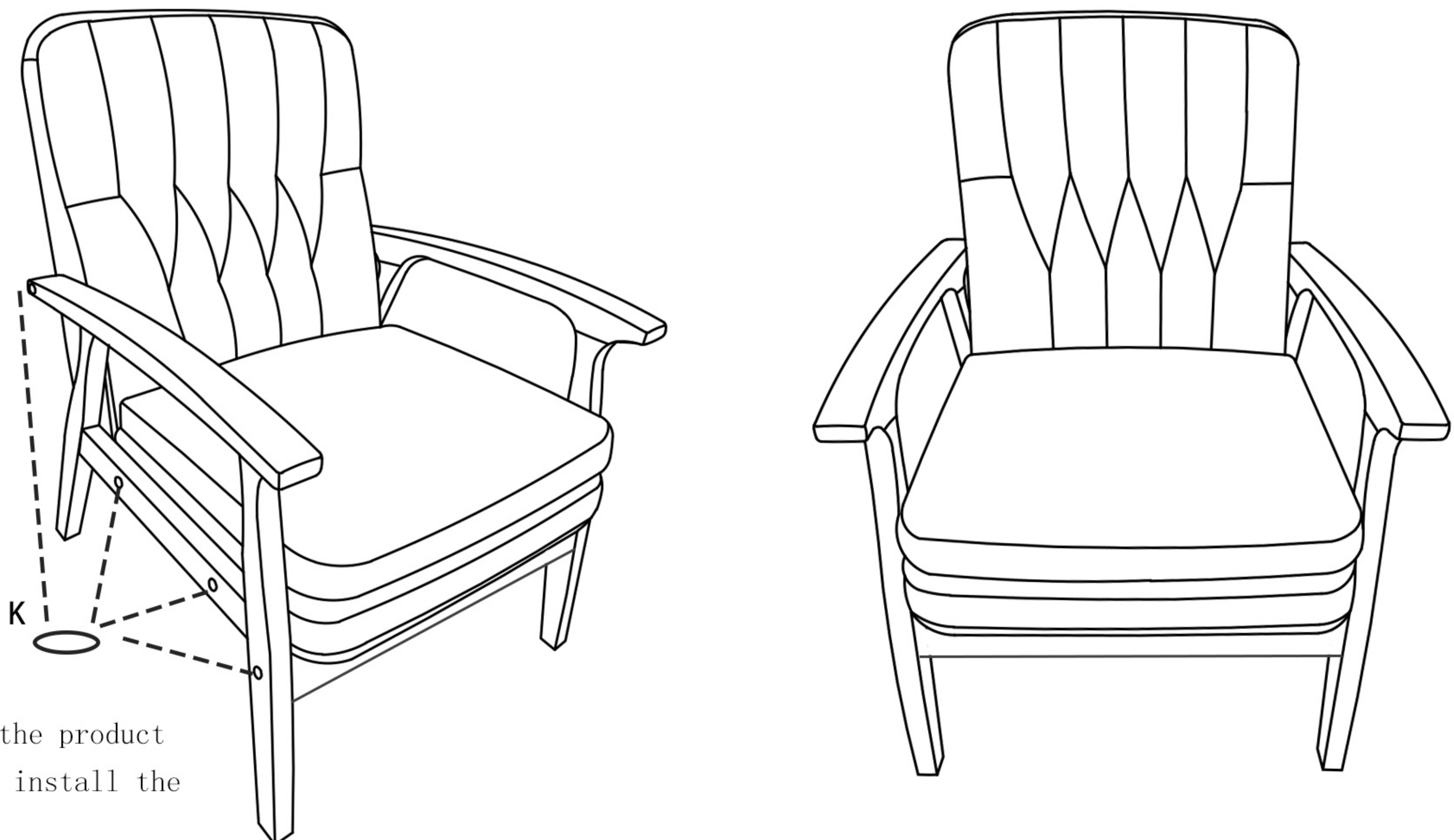
Step 3



Step 4



Step 5



After you confirm that the product is installed correctly, install the cover on the screw