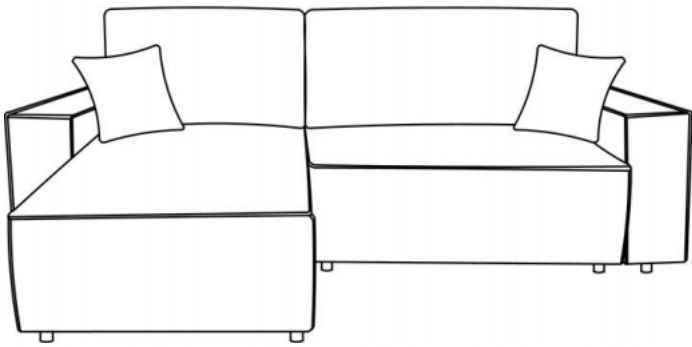
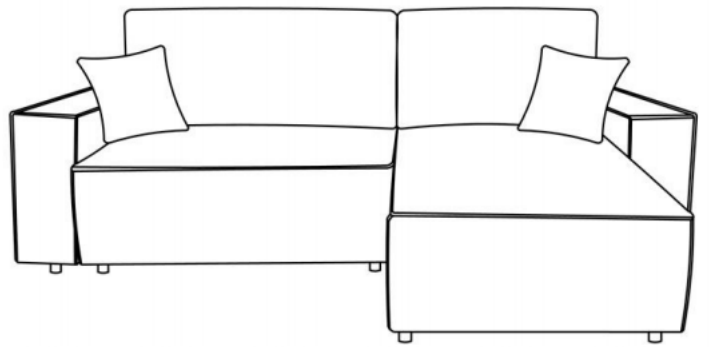




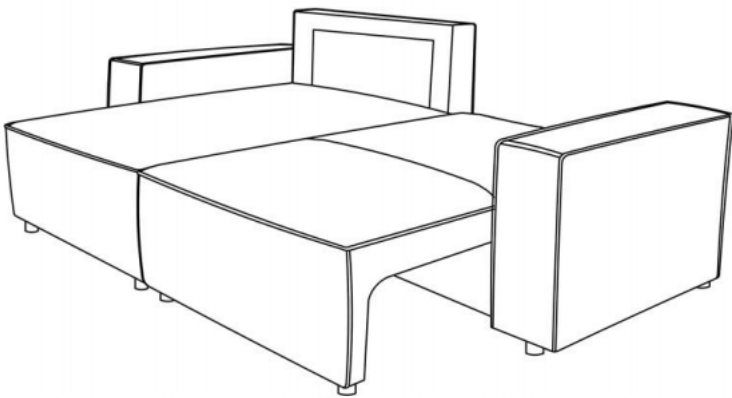
-R



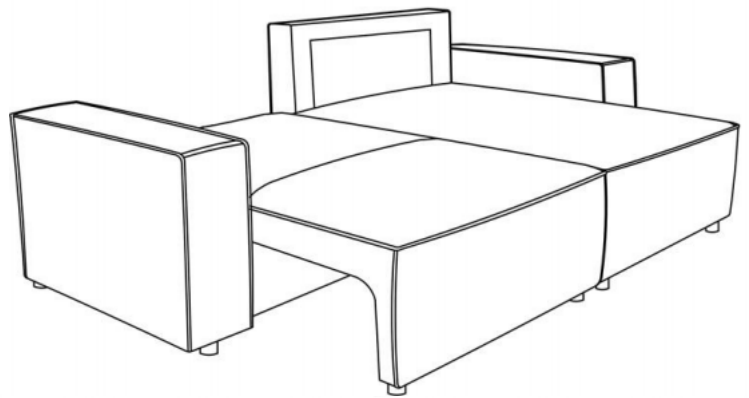
-L



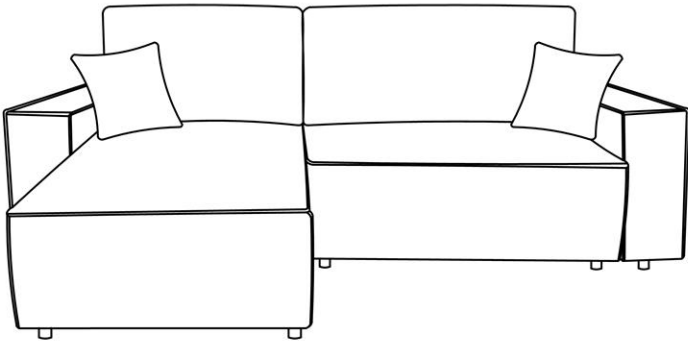
-R



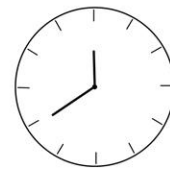
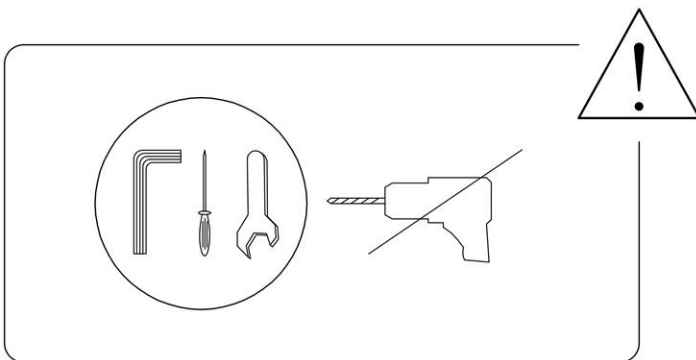
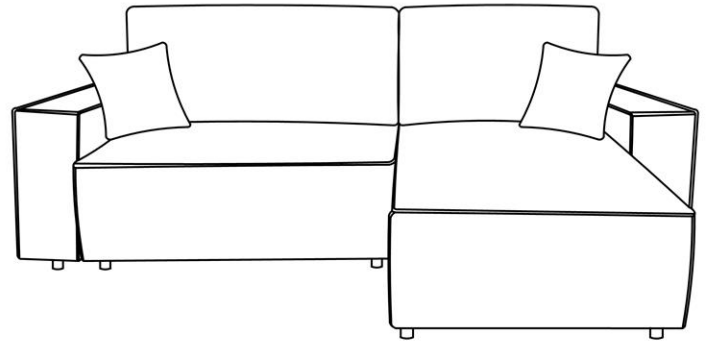
-L



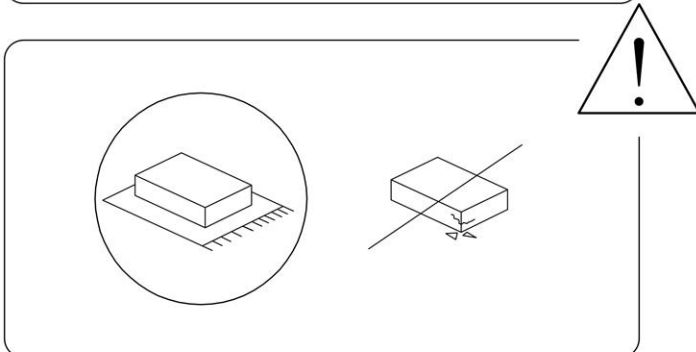
-R



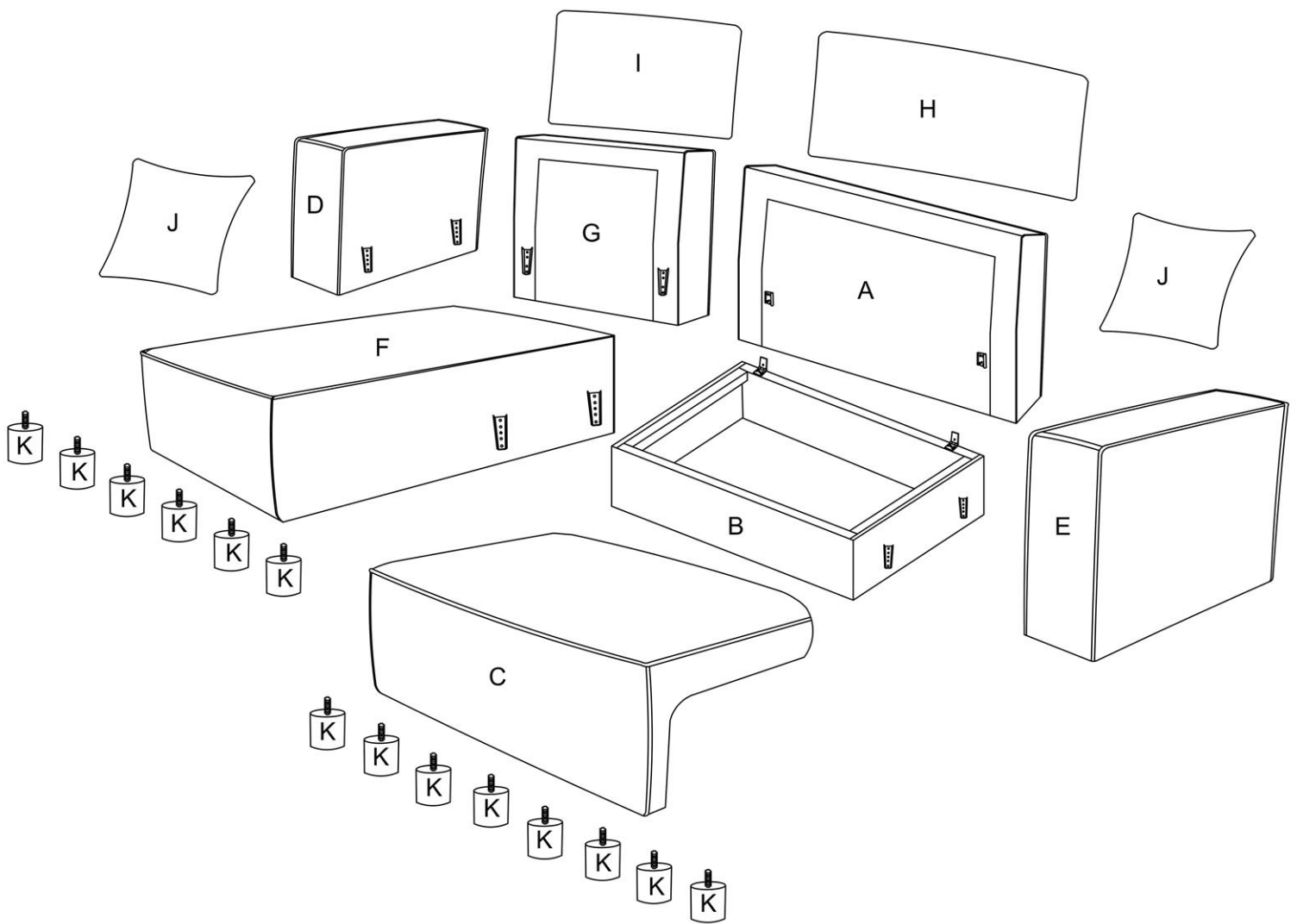
-L

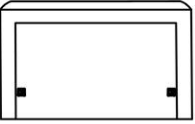
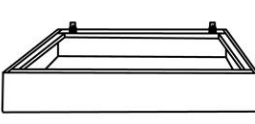
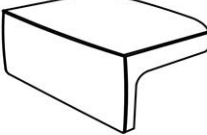


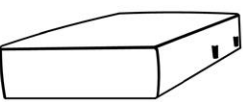
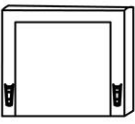

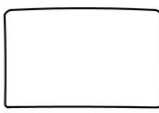
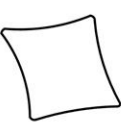





40'

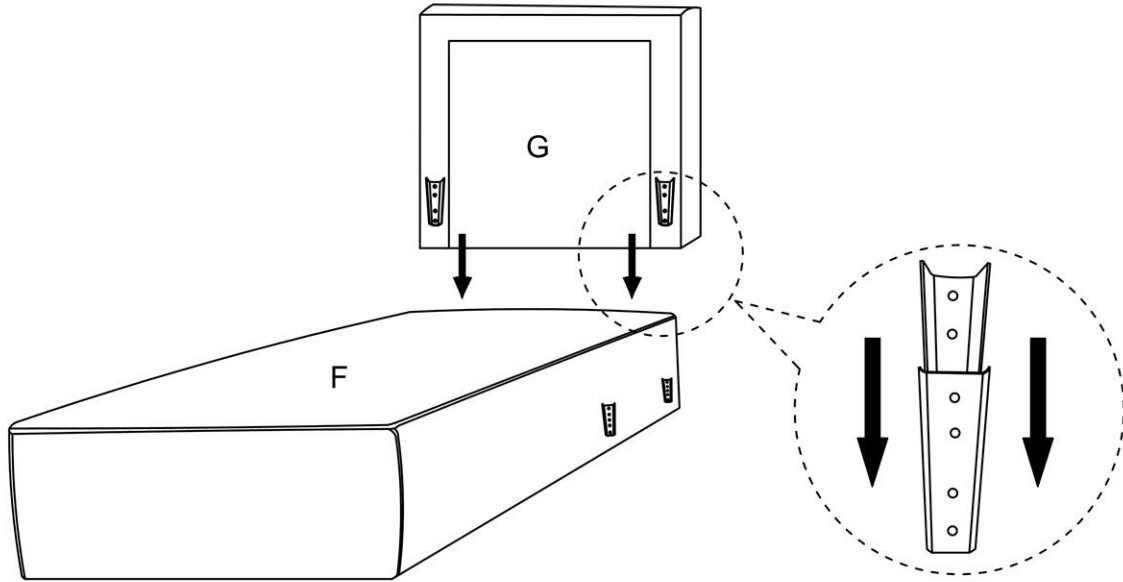
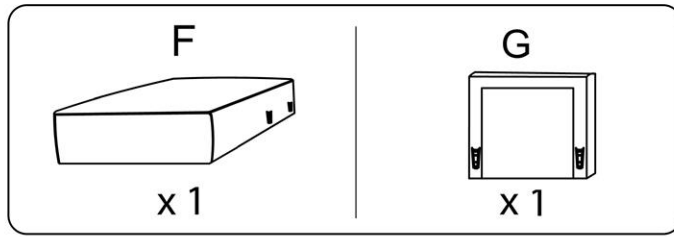


2

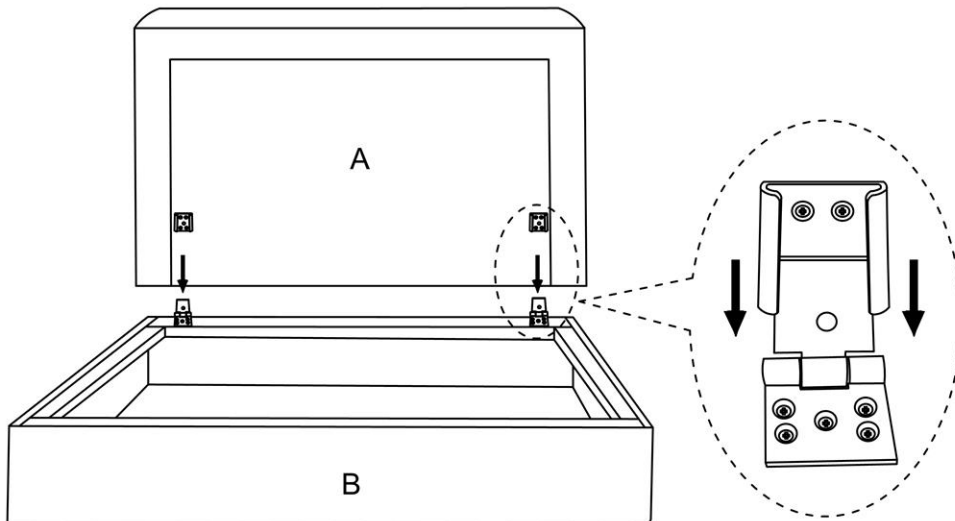
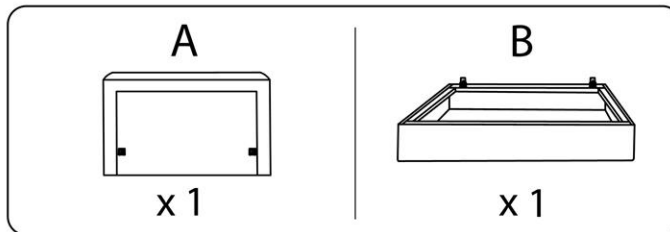


<p>A</p>  <p>x1</p>	<p>B</p>  <p>x1</p>	<p>C</p>  <p>x1</p>	<p>D</p>  <p>x1</p>	<p>E</p>  <p>x1</p>	<p>F</p>  <p>x1</p>	
<p>G</p>  <p>x1</p>	<p>H</p>  <p>x1</p>	<p>I</p>  <p>x1</p>	<p>J</p>  <p>x2</p>	<p>K</p>  <p>x14</p>	<p>L</p>  <p>x2</p>	<p>M</p>  <p>x1</p>

1-R



2-R



3-R

L

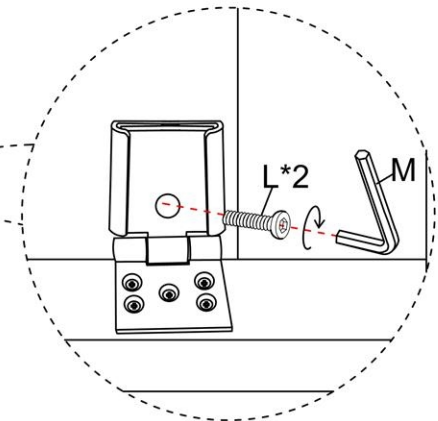
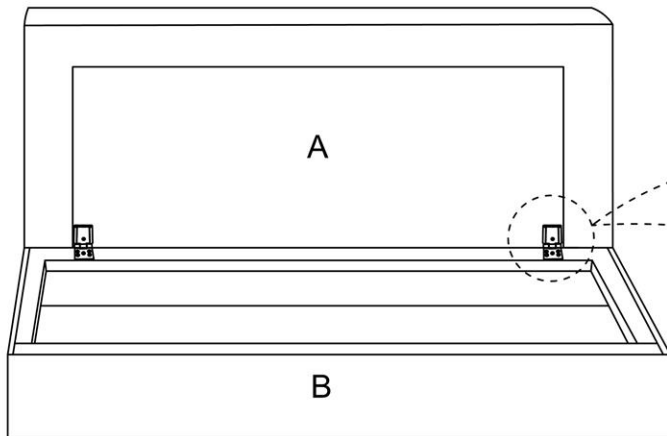


x 2

M



x 1

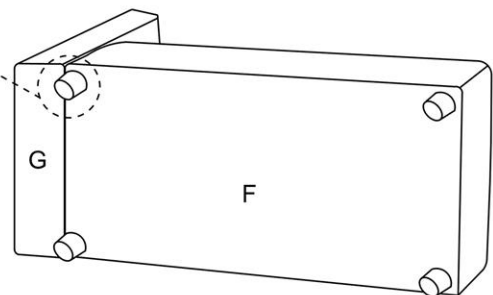
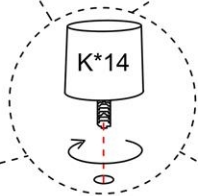
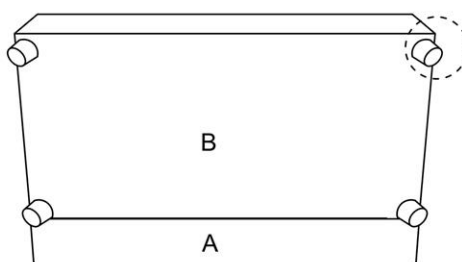
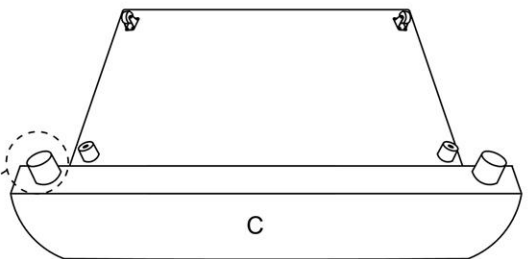
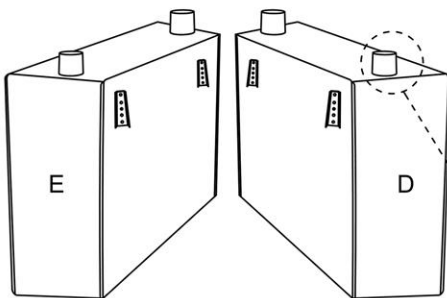


4-R

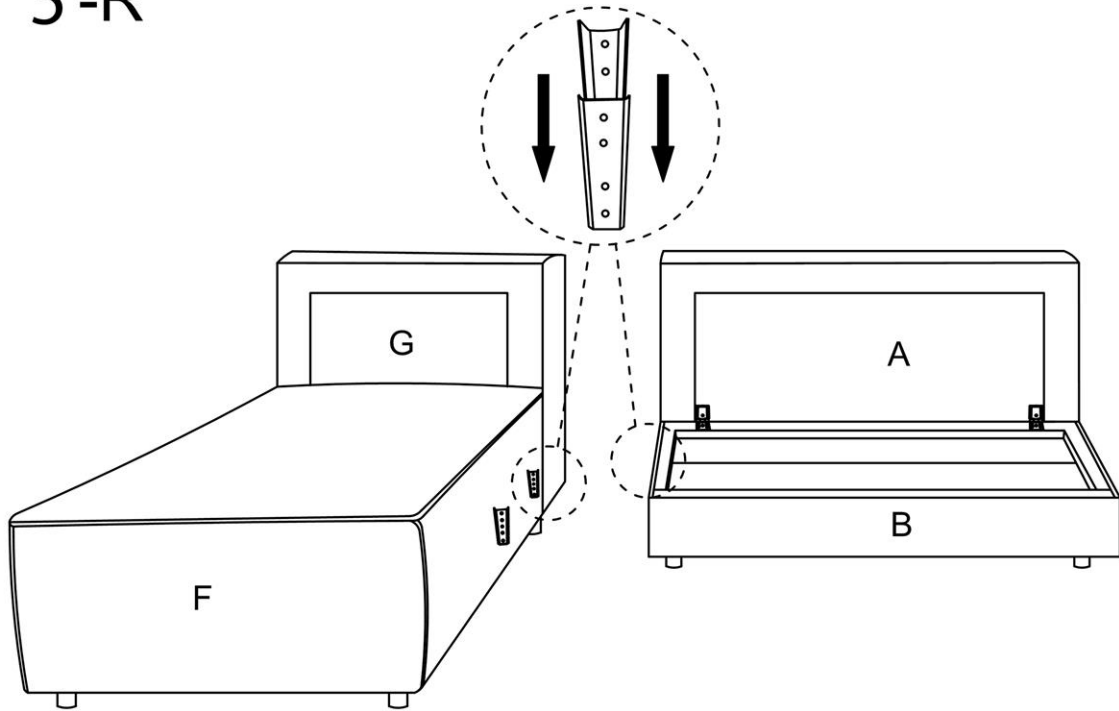
K



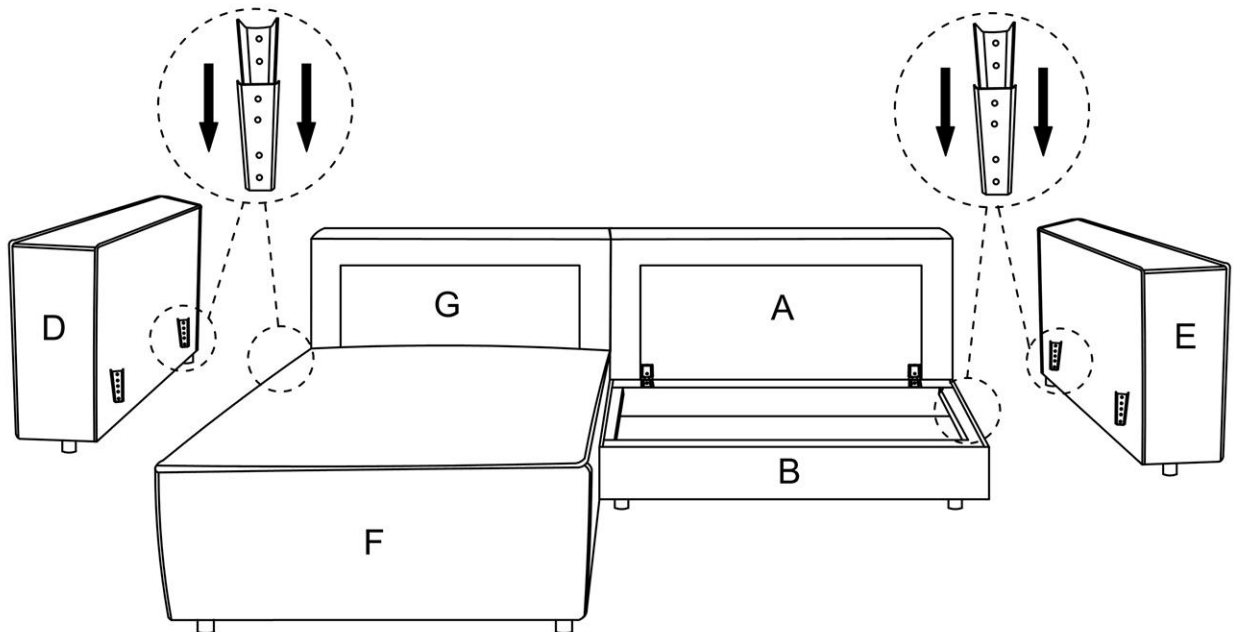
x 14



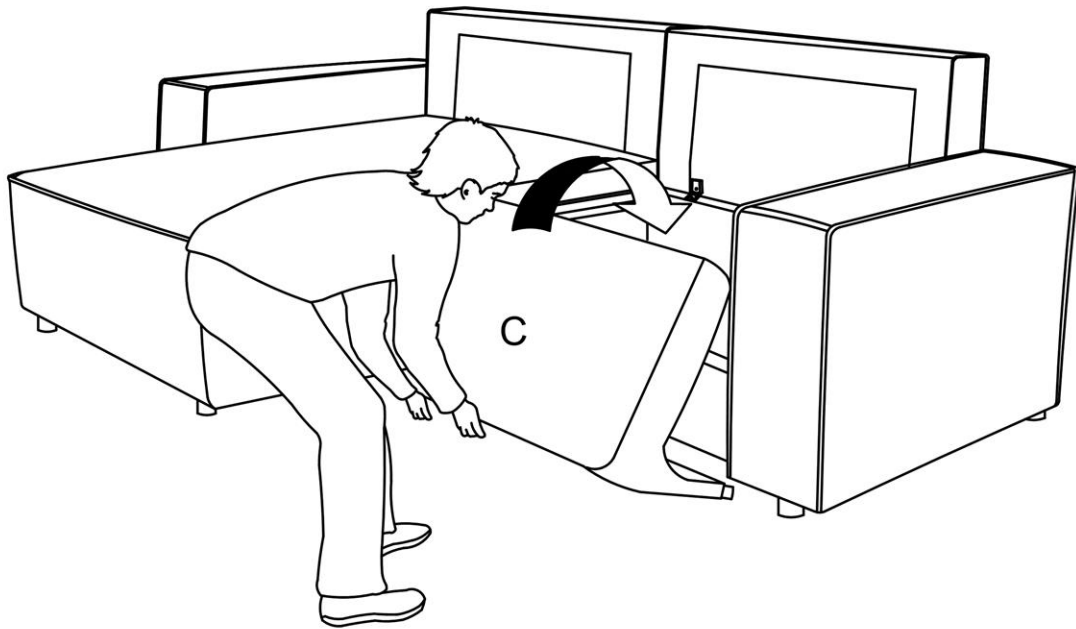
5-R



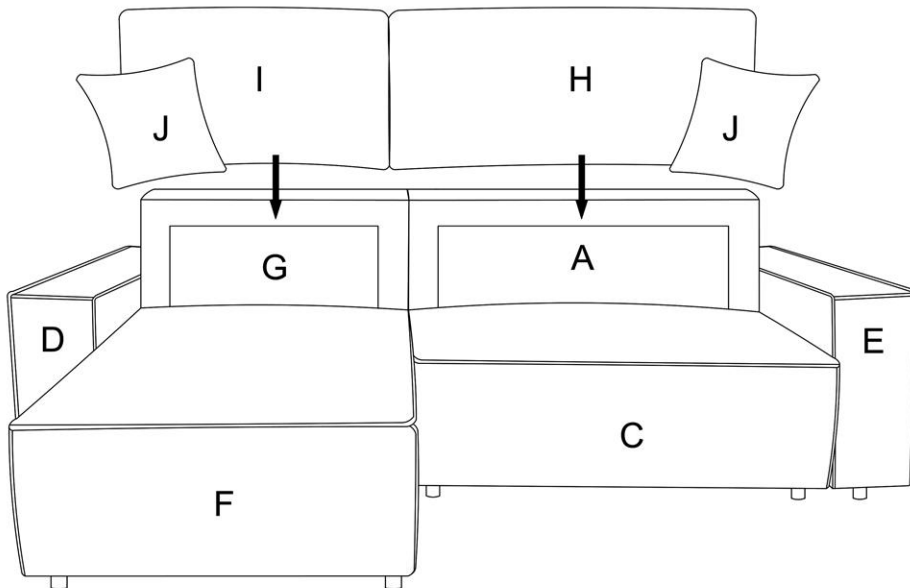
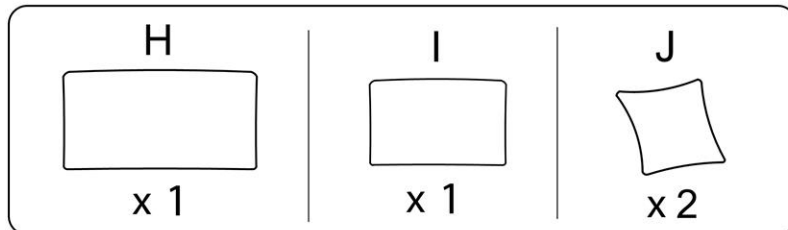
6-R



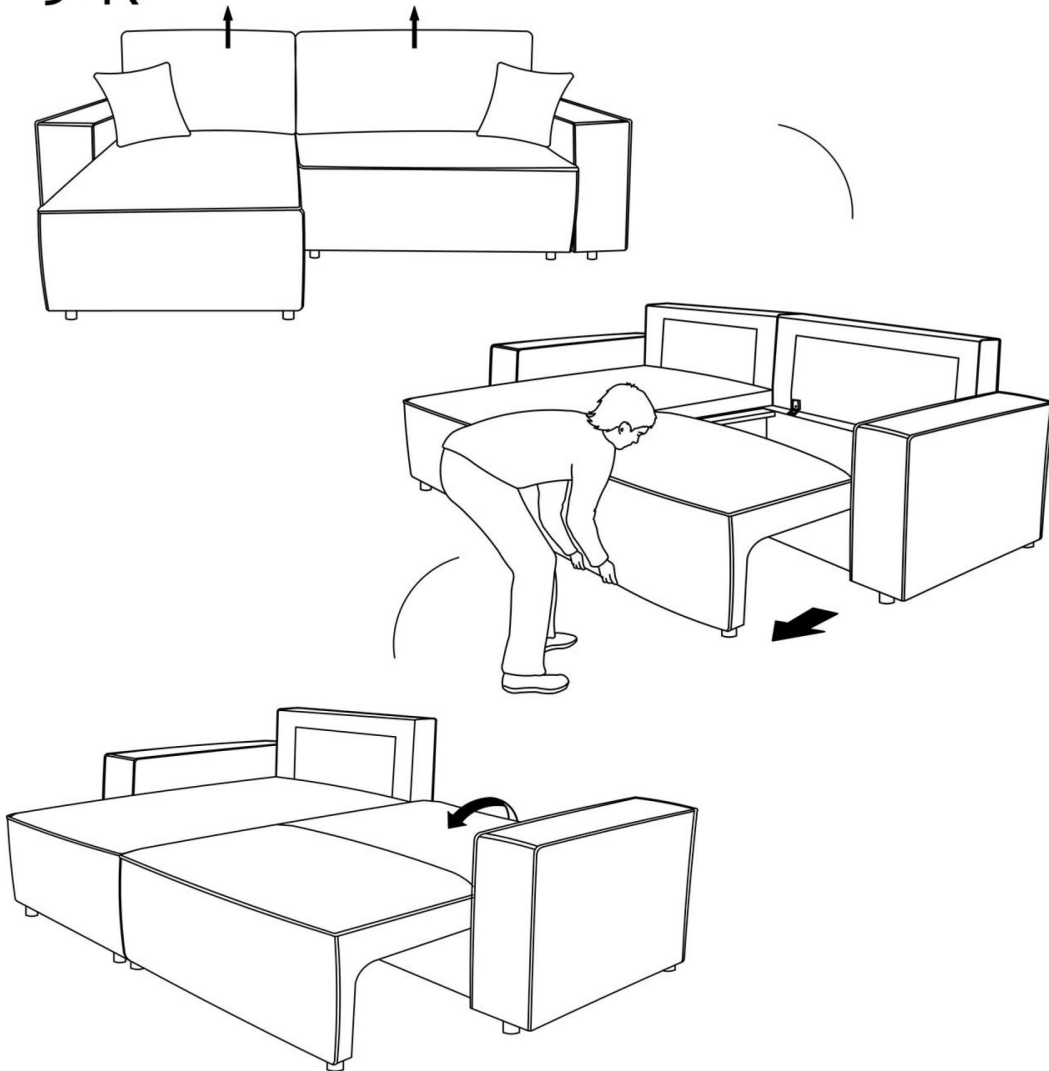
7-R



8-R

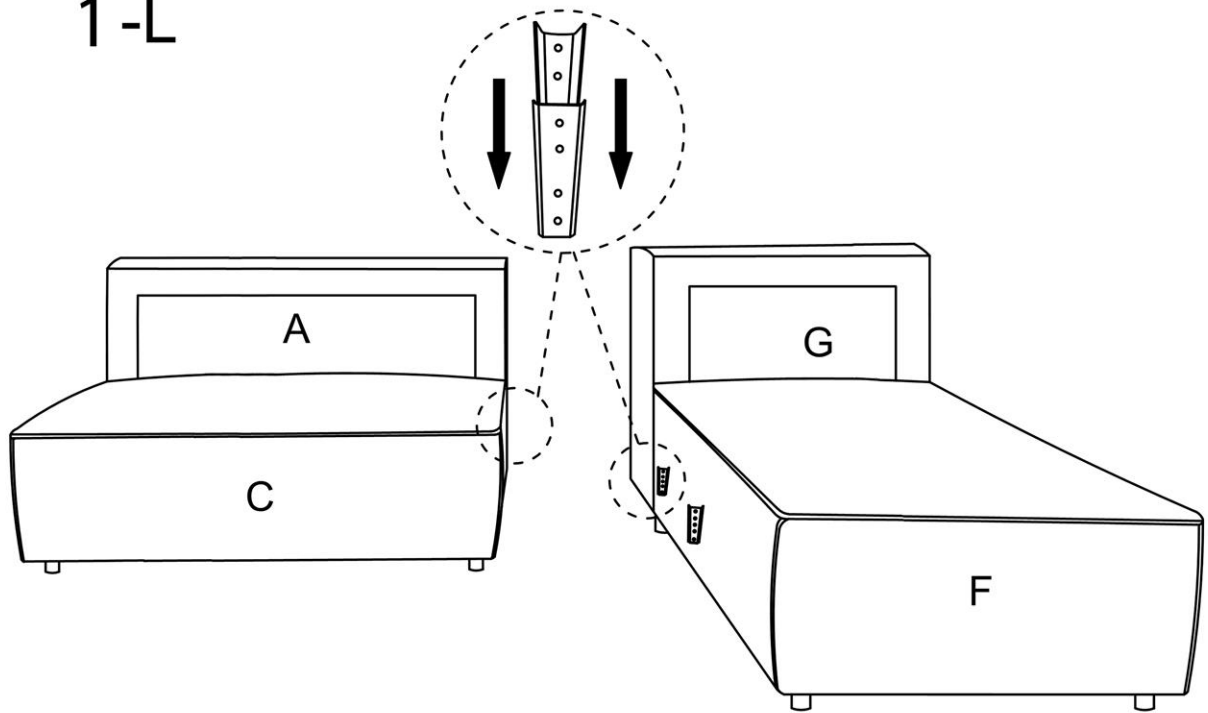


9-R

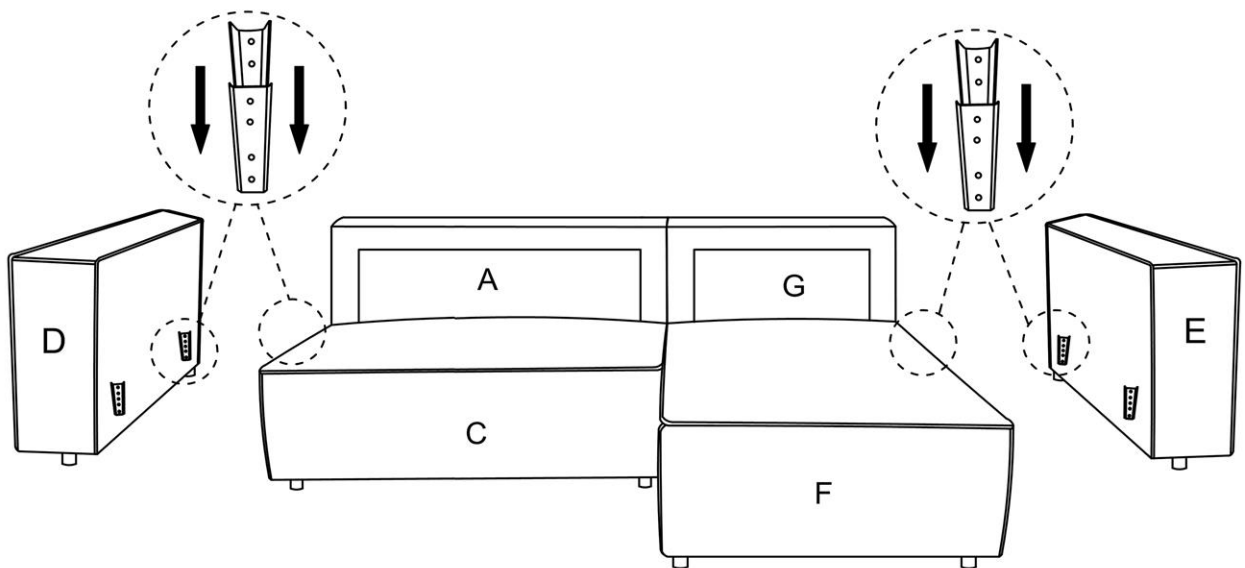




1-L



2-L



3-L

