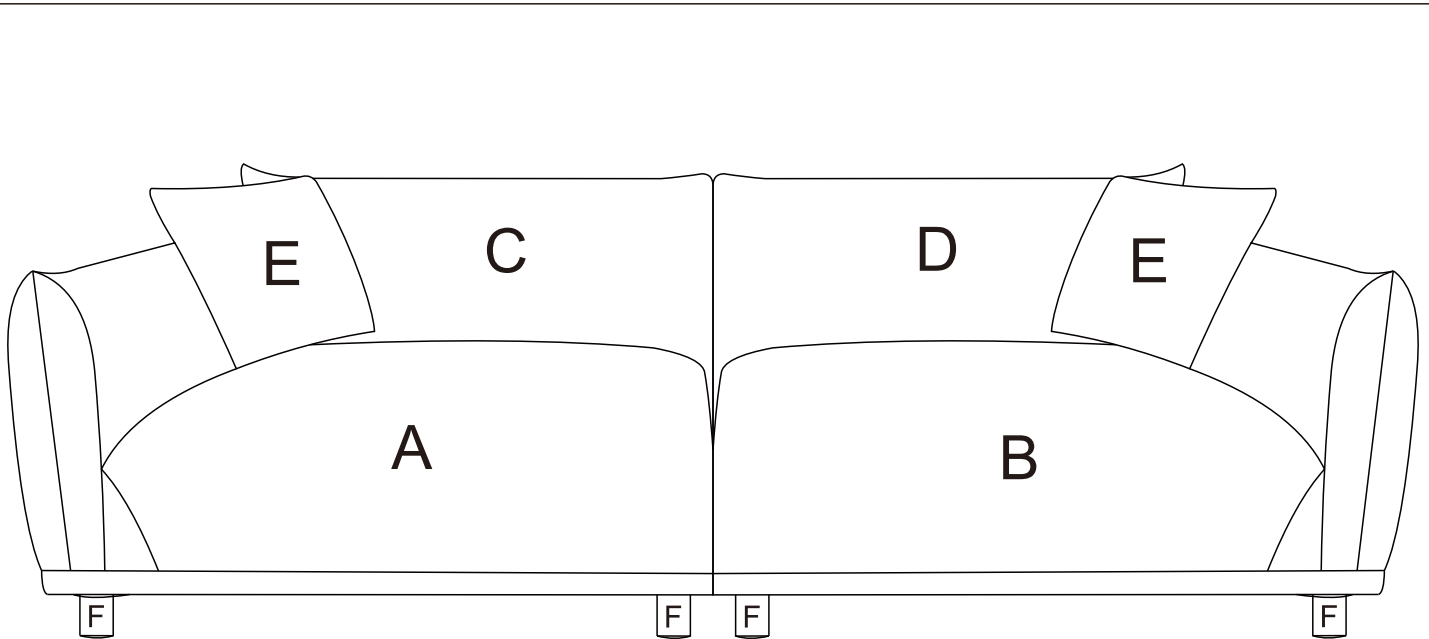


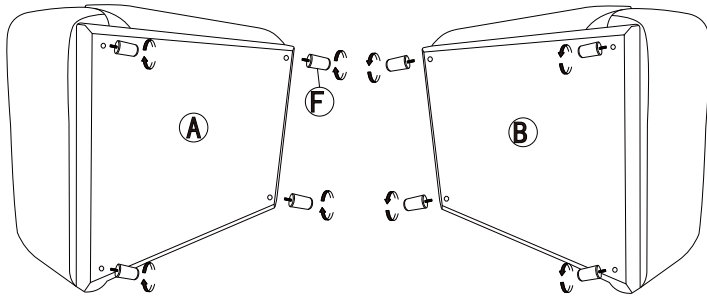
# ASSEMBLY INSTRUCTION

Model NC1506

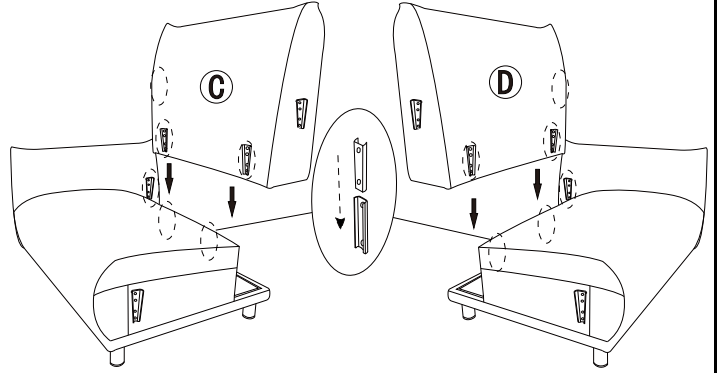


<p>A:Left Seat 1PC</p>	<p>B:Right Seat 1PC</p>	<p>Step 1: We packed this sofa in two cartons, one for carton no. 1/2 sofa and one for carton no. 2/2 sofa.</p>						
<p>C:Left Back 1PC</p>	<p>D:Right Back 1PC</p>							
<p>E:Hand Pillow 2PCS</p>	<p>F:LEG 8PCS</p>	<table border="1"> <tr> <td data-bbox="805 1500 1157 1680">  Ax1pc                      Cx1pc                 </td> <td data-bbox="1157 1500 1508 1680">  Bx1pc                      Dx1pc                 </td> </tr> <tr> <td data-bbox="805 1680 1157 1966">  Ex1pc                      Fx4pcs                 </td> <td data-bbox="1157 1680 1508 1966">  Ex1pc                      Fx4pcs                 </td> </tr> <tr> <td data-bbox="805 1966 1157 2116">  1/2 Sofa                 </td> <td data-bbox="1157 1966 1508 2116">  2/2 Sofa                 </td> </tr> </table>	Ax1pc                      Cx1pc	Bx1pc                      Dx1pc	Ex1pc                      Fx4pcs	Ex1pc                      Fx4pcs	1/2 Sofa	2/2 Sofa
Ax1pc                      Cx1pc	Bx1pc                      Dx1pc							
Ex1pc                      Fx4pcs	Ex1pc                      Fx4pcs							
1/2 Sofa	2/2 Sofa							

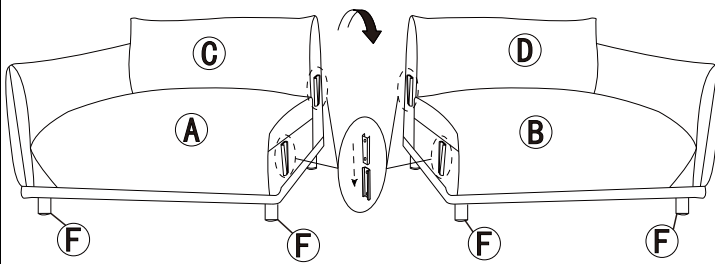
STEP 4 Turn the legs F clockwise to fixed it on sofa A and sofa B.



STEP 5 Please carefully insert back C into sofaseat A; insert back D into sofaseat B



STEP 6 Insert back C into back D, insert sofaseat A into sofaseat B. As picture.



STEP 7

