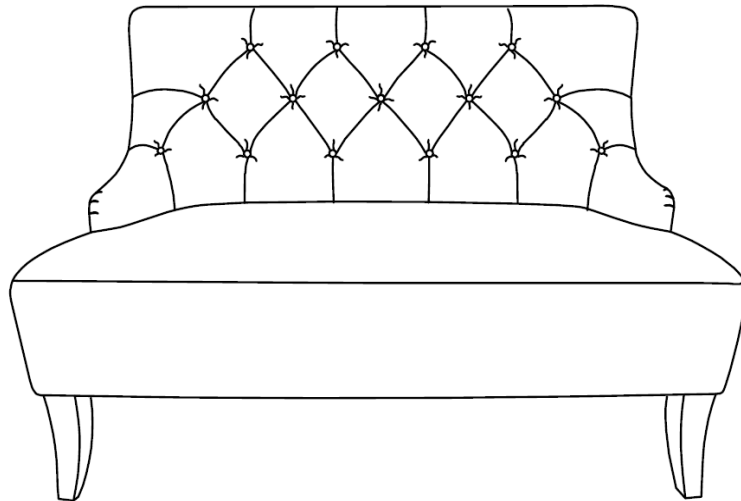


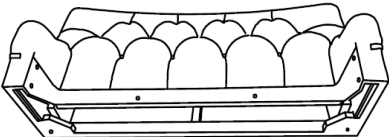
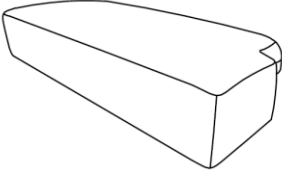

Assembly Instructions

CAUTION : You must read this before you proceed

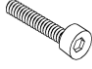



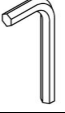

LOVESEAT



Parts List

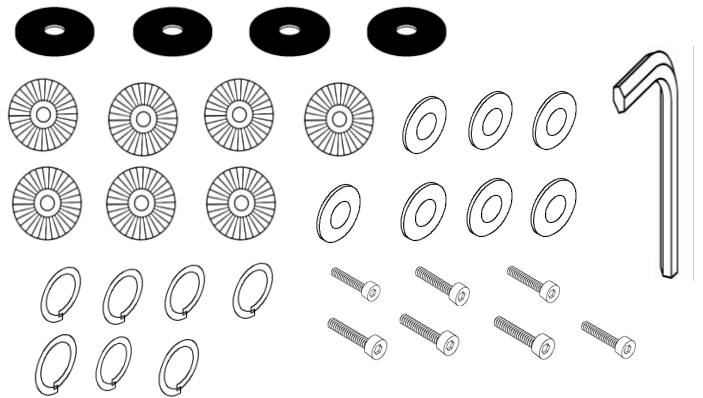
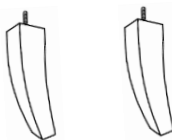
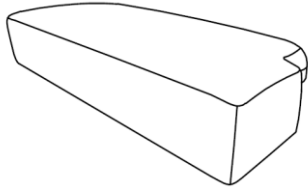
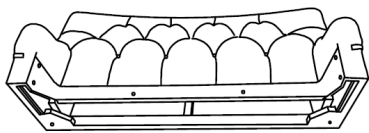
Label	Picture	Description	QTY
A		Backrest	1
B		Seat	1
C		Leg	4

Hardware

Label	Picture	Description	QTY
①		Bolt: M8X60 mm	7
②		Flat Washer Ring	7
③		Spring Washer Ring	7
④		Washer Ring (PVC)	7
⑤		Allen Wrench	1
⑥		Plastic Gasket	4

Assembly Preparation

Before Beginning Assembly:



- Read instructions, cover to cover-



- Have 2 adults on hand for assembly-



- Do not assemble on flooring or carpet-



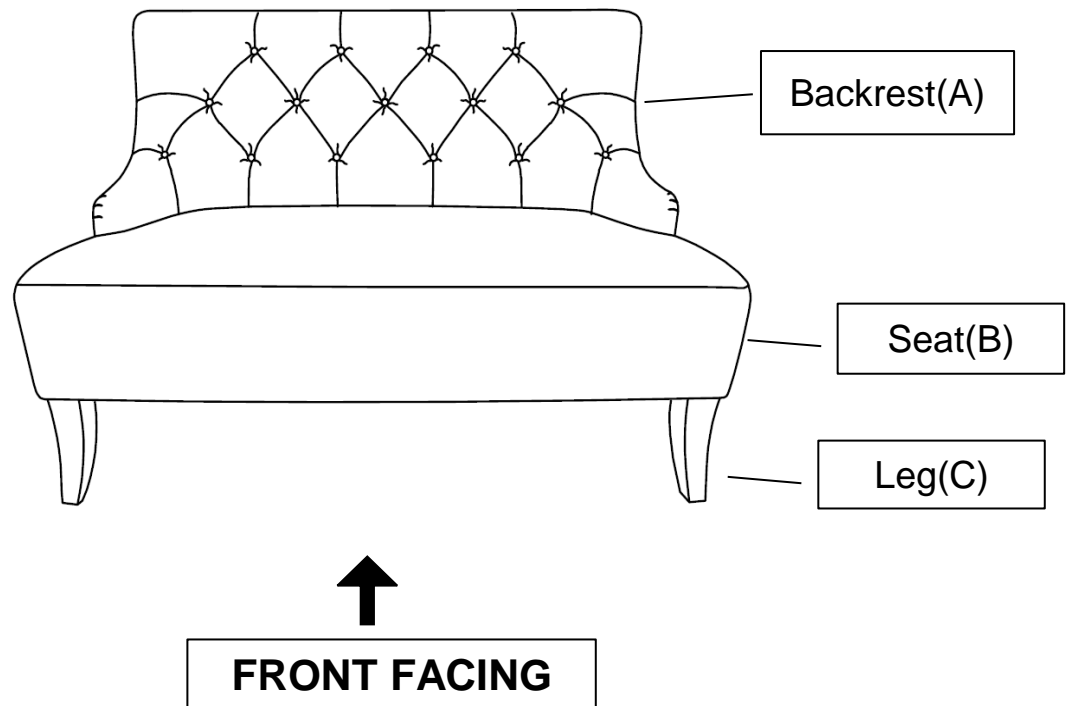
- Assemble on a clean non-marring surface (packing foam)-



- Save all packaging until finished-

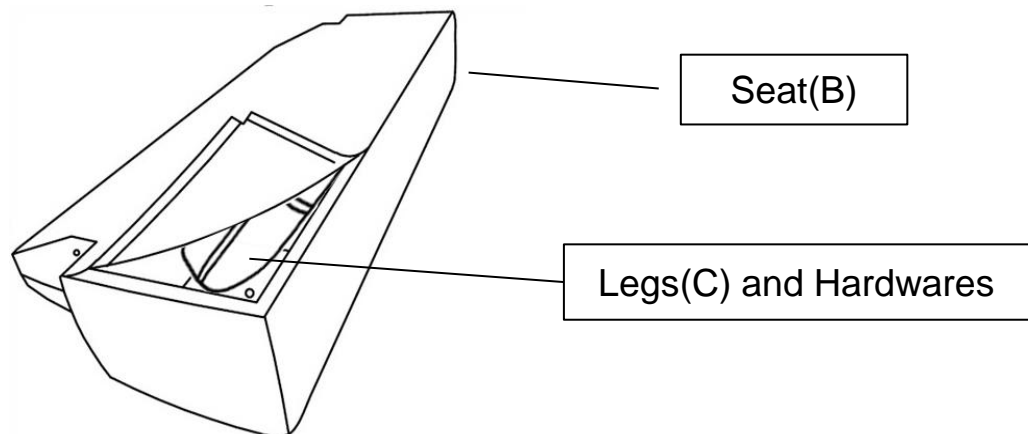
Assembly Steps

Overview



This Loveseat has multiple parts and may require up to 30 minutes to assemble. To give you an overview of the Loveseat parts, the above picture is to help you put the various parts into perspective. Please read through the instructions herebelow to familiarise the parts and steps before assembly.

Step 1

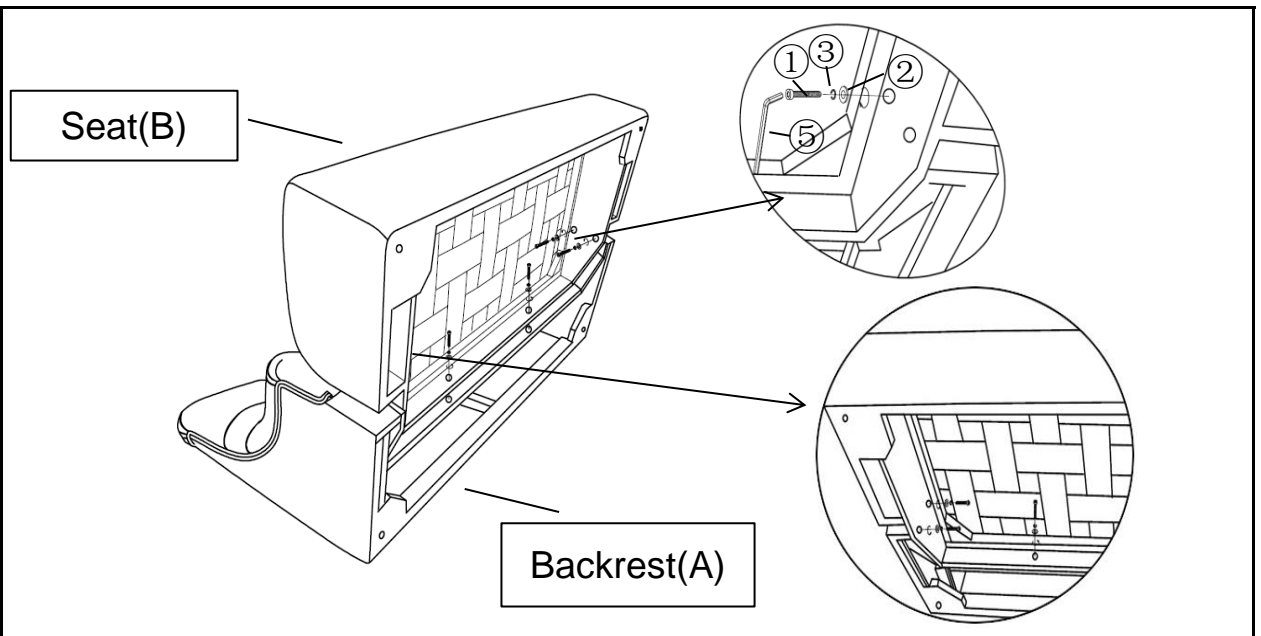


Turn the Seat(B) upside down (preferably on a surface that won't scratch the upholstery).

Remove the non-woven fabric from under the Seat(B).

Take out the four Legs(C) and the bag containing Hardware.

Step 2



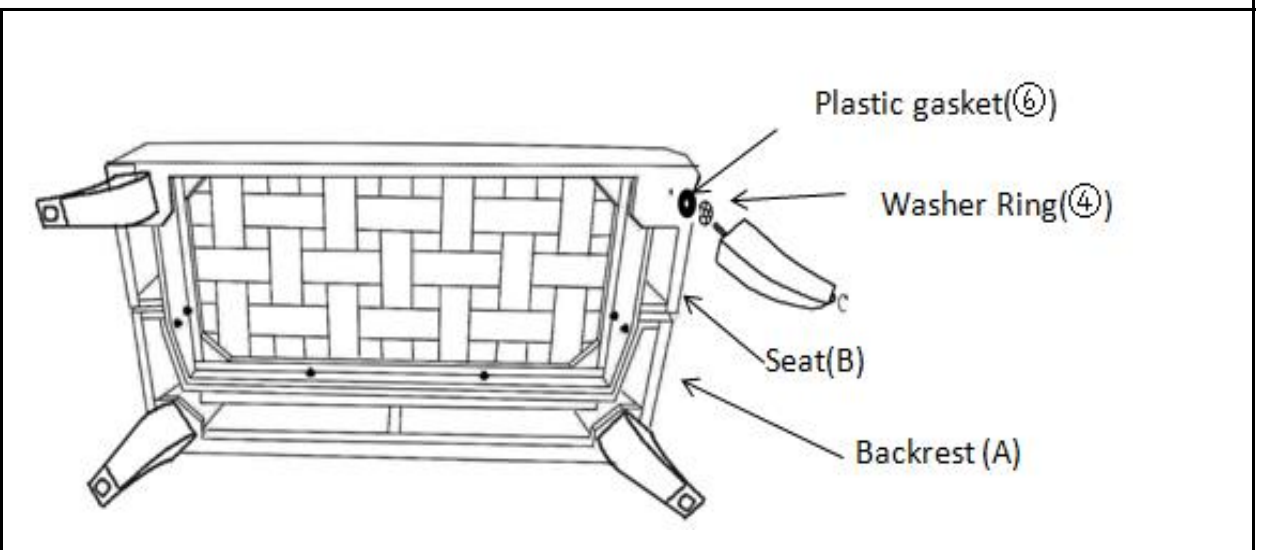
Place the Backrest(A) faceup on the floor, then slide the Seat(B) into the housing.

You will see 6(six) attachment points.

Attach the Seat(B) to Backrest(A) with the Bolt(①), Spring Washer Ring(③) and Flat Washer Ring(②) as shown.

Use the Allen Wrench(⑤) to fasten all six bolts.

Step 3

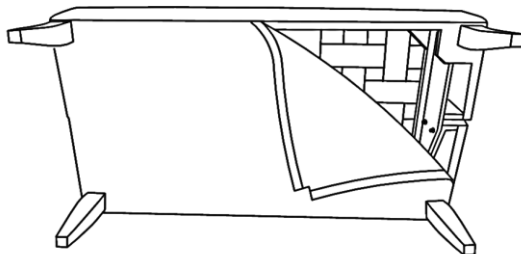


Install the Legs(C) onto the Seat(B) and Backrest(A) by putting Washer Rings(④) and Plastic gasket(⑥)(optional but improve security and tightness) onto the threaded stem.

Insert the threaded stem into the mounting position at each corner of the bottom of the Loveseat. Tighten the leg by turning clockwise.

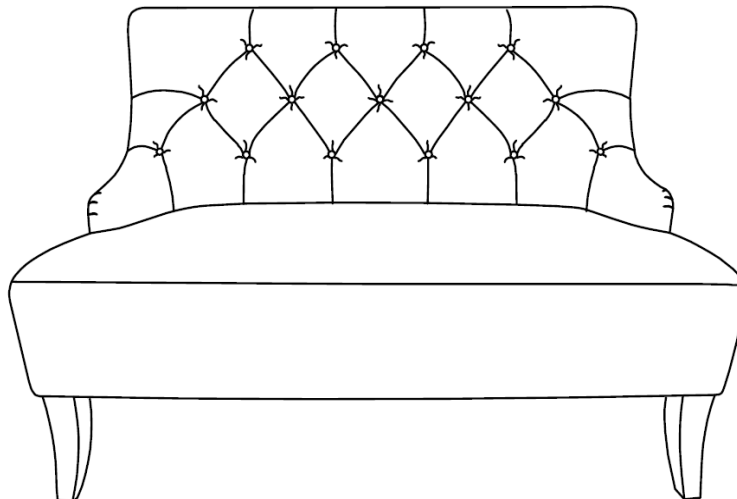
Repeat the same steps to install the remaining three legs.

Step 4



On completion of fixing the four legs to the base of the Seat(B), reseal the non-woven cover back to its original condition.

Step 5



Your LOVESEAT is ready for use.
This LOVESEAT can only be used on a flat, level surface.

Care & Maintenance



- Furniture may scratch floors. We recommend using furniture pads to protect your floors.



- Do not put hot items directly on furniture surface.



- Do not clean furniture with harsh cleansers or polish.



- Do not place furniture under direct sunlight.



- Do not place furniture near heating or cooling vents.



- Do not write on furniture without a padded barrier to protect the surface.



- Do not place furniture outside . For indoor use only.



- Not for commercial use. For residential use only.



- Stains may be removed with mild soap solution and damp cloth.



- Children should not climb or jump on the furniture.



- Dust and pick-up spills using a clean, non-colored, lint-free cloth.