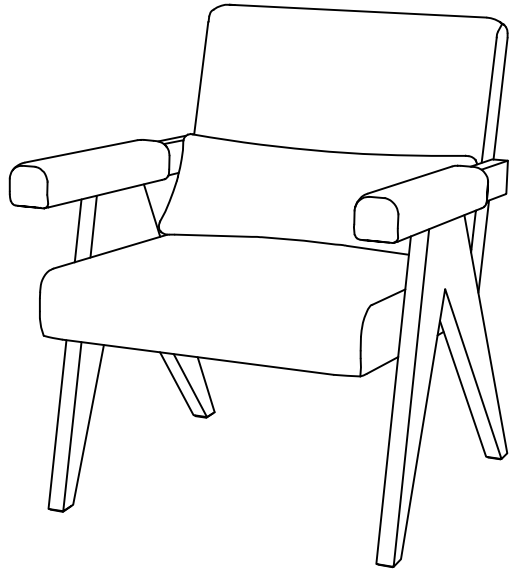
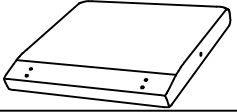
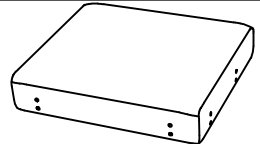
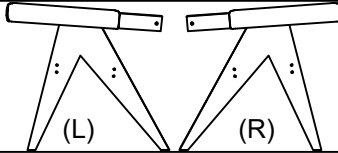
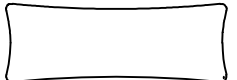


# ASSEMBLY INSTRUCTION

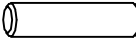





Arm chair  
TN-3862



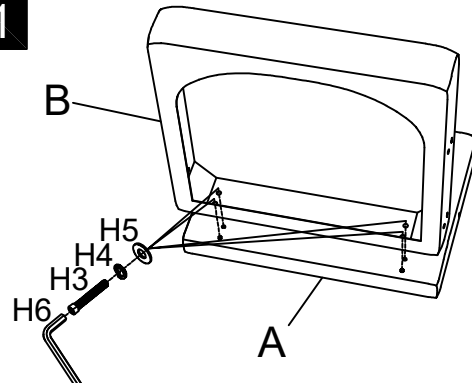
## Component List

LABEL	DESCRIPTION	QTY
A	 Back	1
B	 Seat	1
C	 Arm	2
D	 Pillow	1

## Hardware List

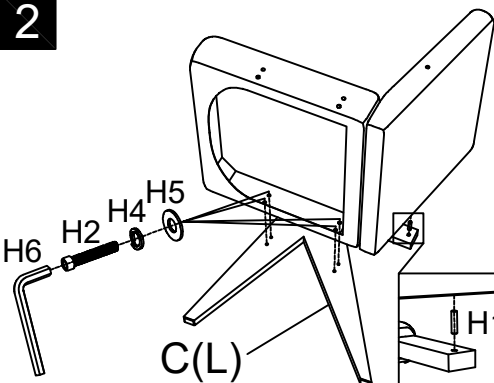
LABEL	DESCRIPTION	QTY
H1	 Dowel M10×40mm	2
H2	 Bolts M8×45mm	8
H3	 Bolts M8×55mm	4
H4	 Spring washer M8	12
H5	 Flat washer M8×22×1.5mm	12
H6	 Allen key M8	1

**1**



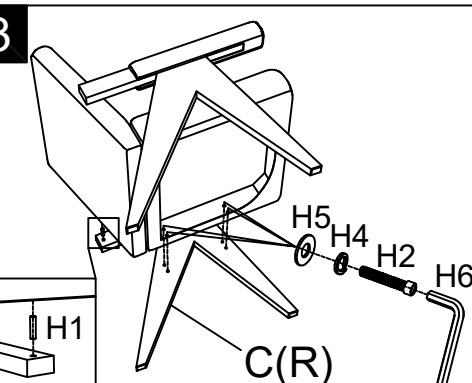
Tighten the bolts to 80% tightness.

**2**



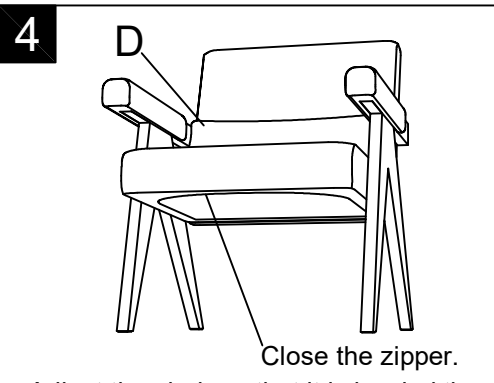
Tighten the bolts to 80% tightness.

**3**



Tighten the bolts to 80% tightness.

**4**



Close the zipper.  
Adjust the chair so that it is leveled, then fully tighten all the bolts.