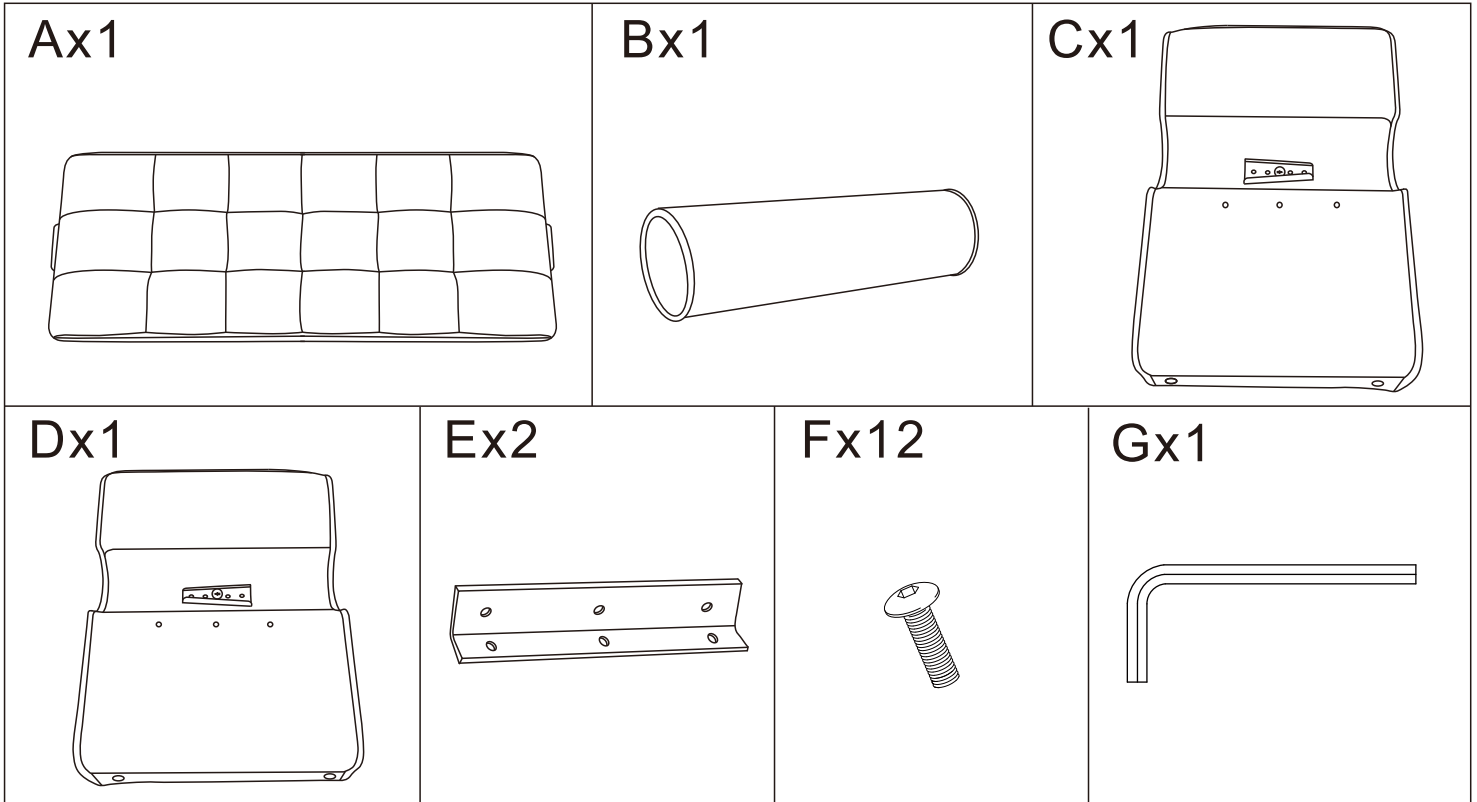
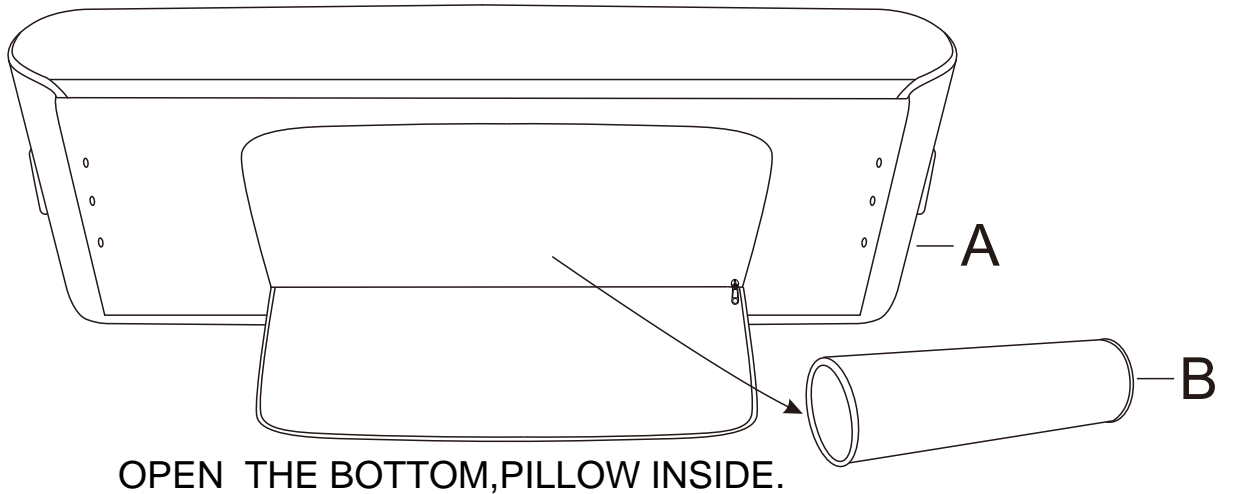


ASSEMBLY INSTRUCTIONS

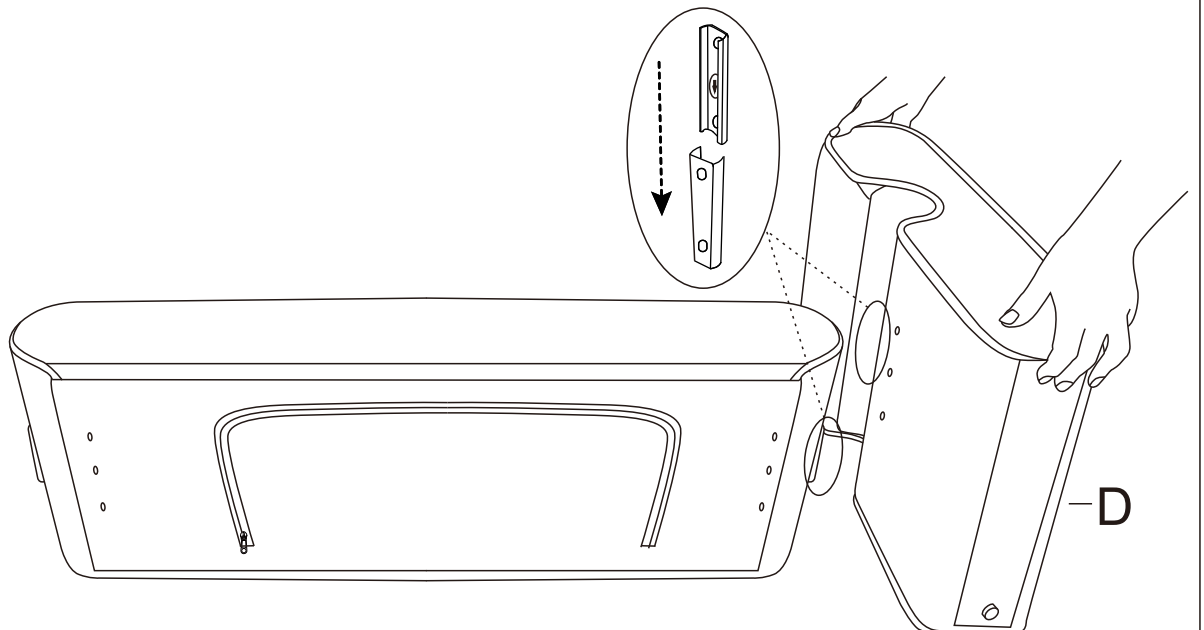
HFSN-699



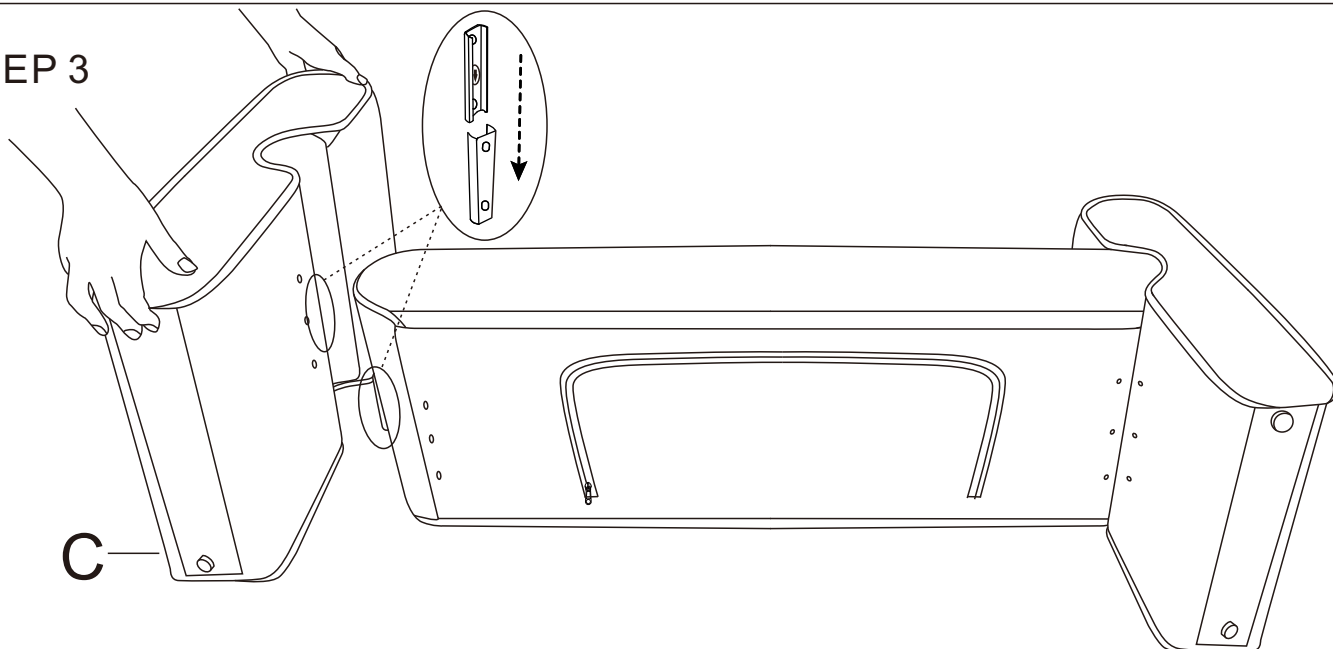
STEP 1



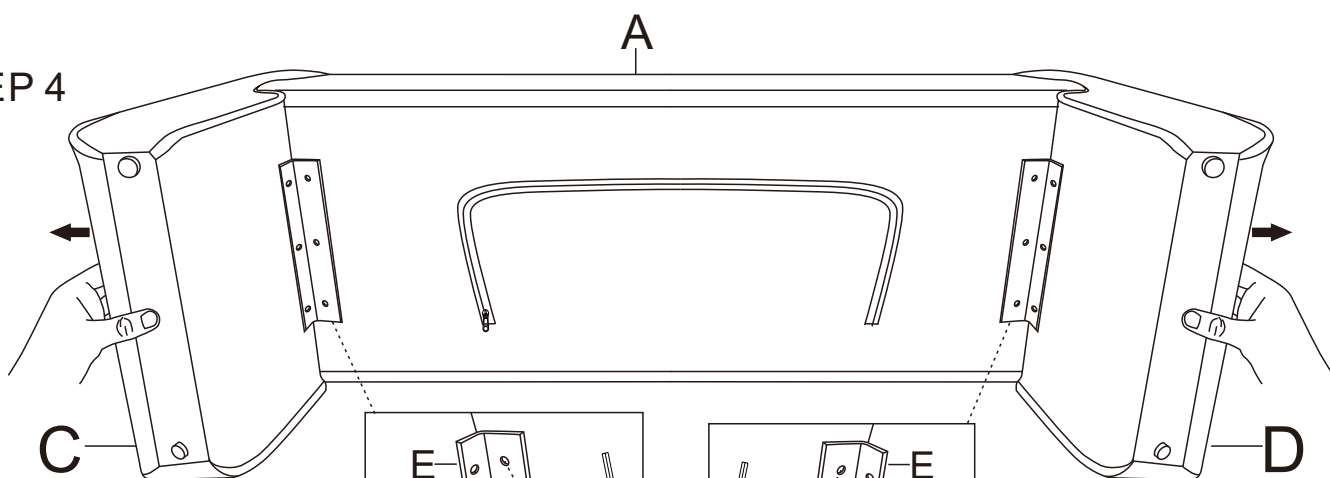
STEP 2



STEP 3



STEP 4



Turn C outward so that the holes in E align with the holes in C and A.

Turn D outward so that the holes in E align with the holes in D and A.

STEP 5

