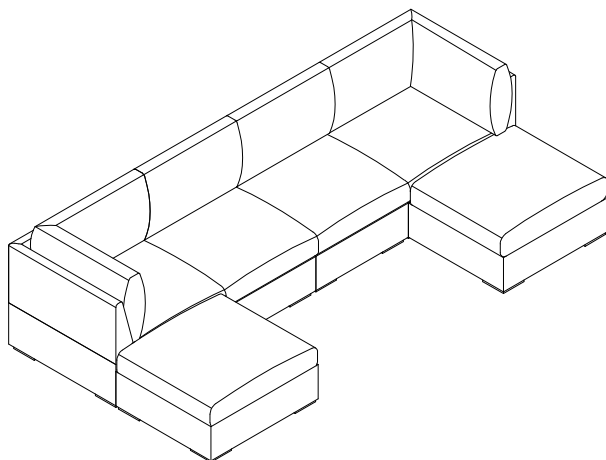
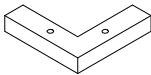
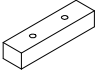



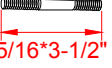
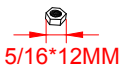
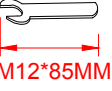


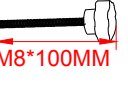
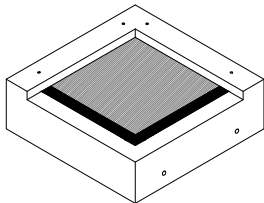
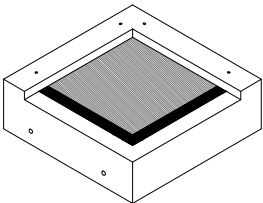
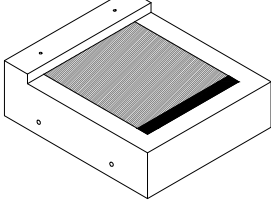
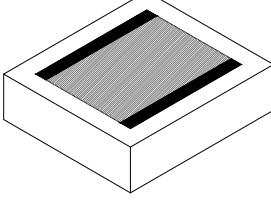
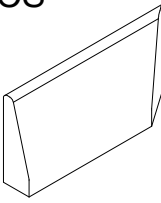
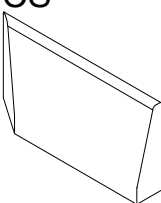
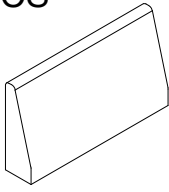
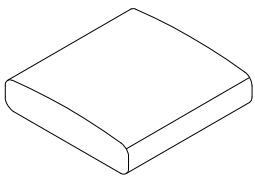
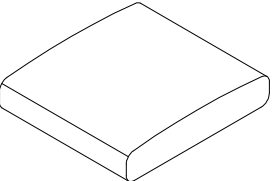
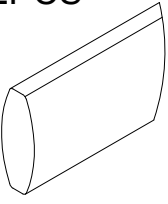
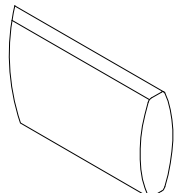
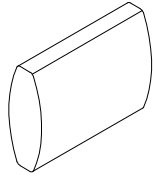


ASSEMBLY INSTRUCTION

MODEL NO.HC5601

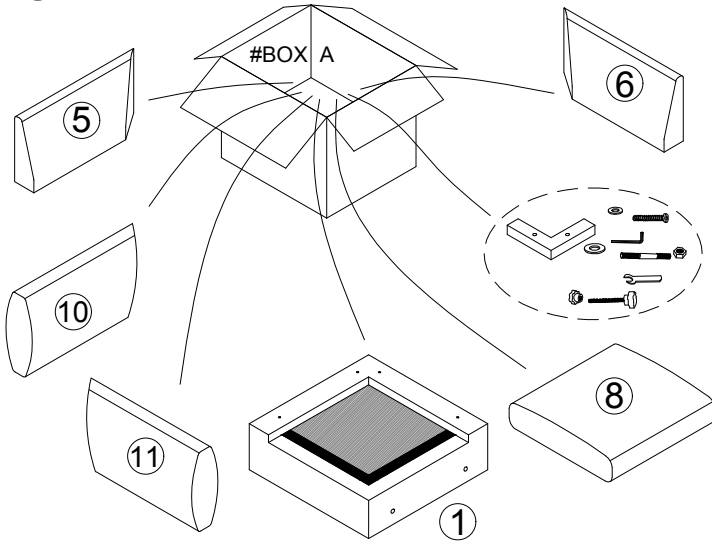


Components/QTY		Components/QTY		Components/QTY	
A 12PCS		B 12PCS		C 48PCS	 1/4*19MM
D 48PCS	 1/4*1-1/2"	E 12PCS	 5/16*25MM	F 12PCS	 5/16*3-1/2"
G 12PCS	 5/16*12MM	H 1PC	 M12*85MM	I 1PC	 1/4*60MM
J 6PCS	 M8*3/4"	K 6PCS	 M8*100MM		
① 1PC		② 1PC		③ 2PCS	
④ 2PCS		⑤ 2PCS		⑥ 2PCS	
⑦ 2PCS		⑧ 4PCS		⑨ 2PCS	
⑩ 2PCS		⑪ 2PCS		⑫ 2PCS	

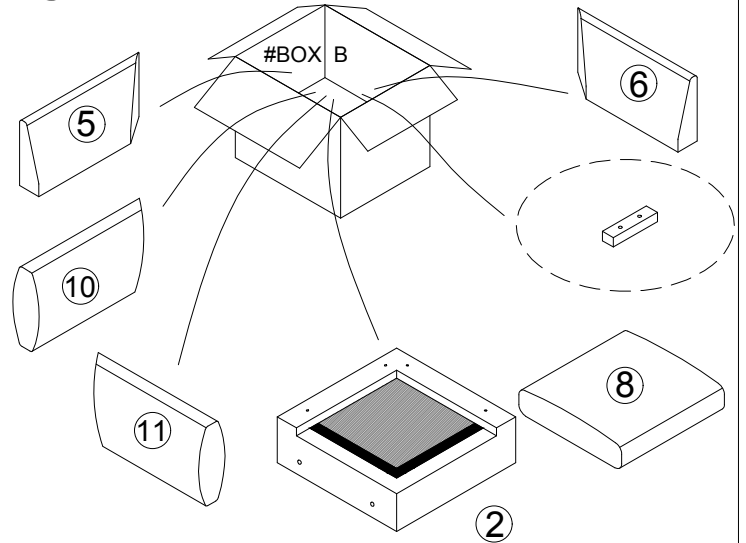
② ASSEMBLY INSTRUCTION

MODEL NO.HC5601

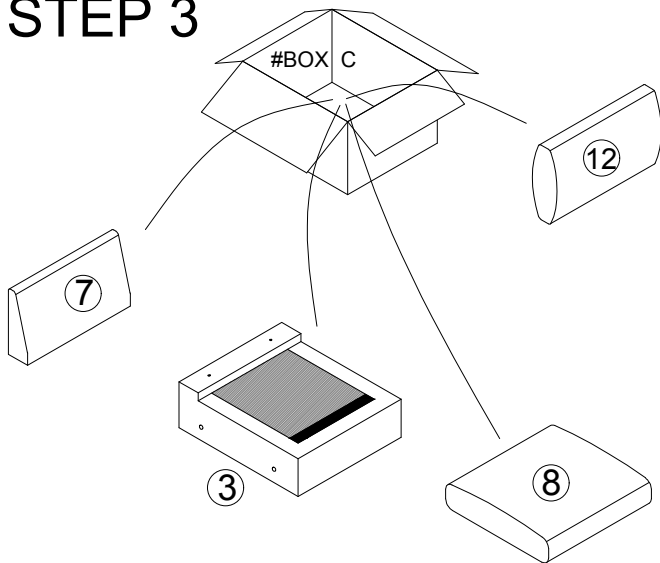
STEP 1



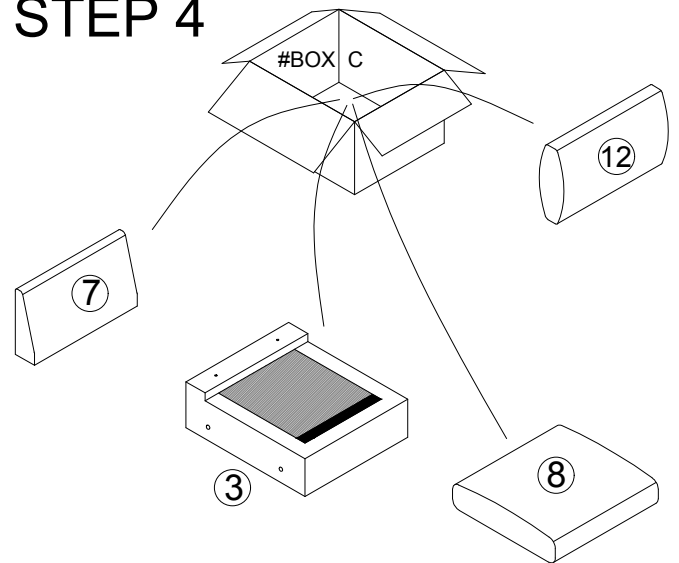
STEP 2



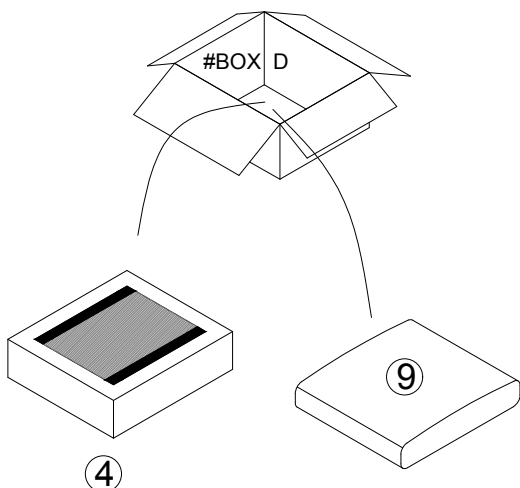
STEP 3



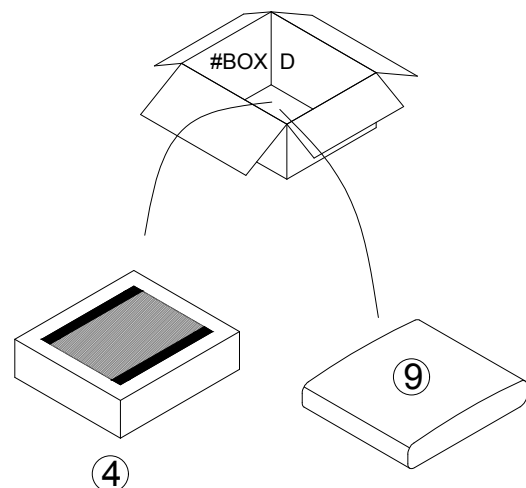
STEP 4



STEP 5



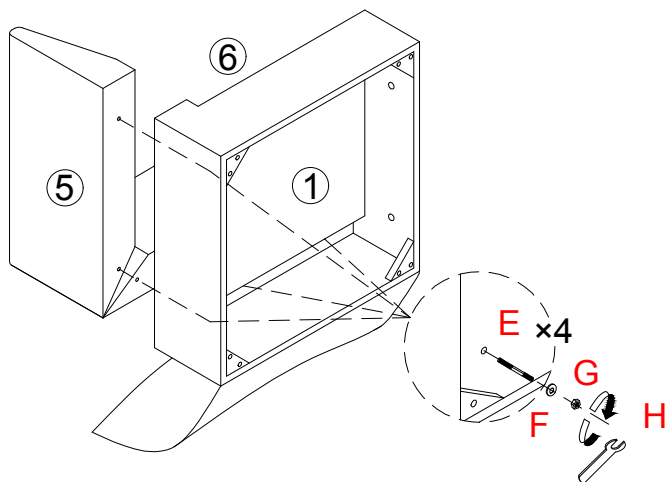
STEP 6



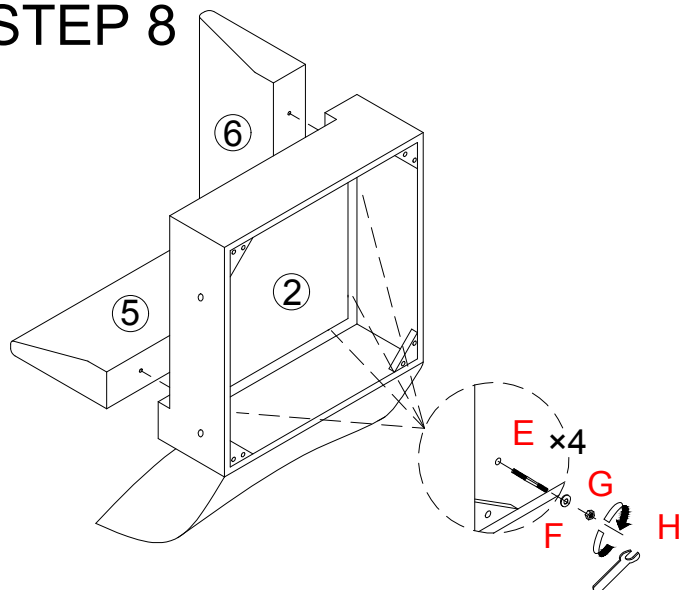
③ ASSEMBLY INSTRUCTION

MODEL NO.HC5601

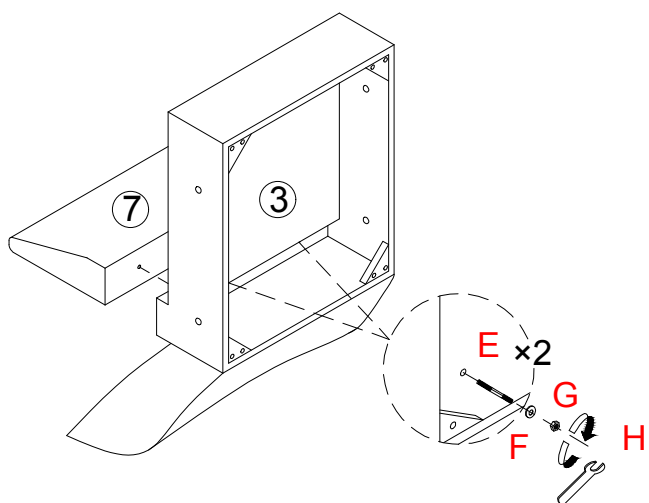
STEP 7



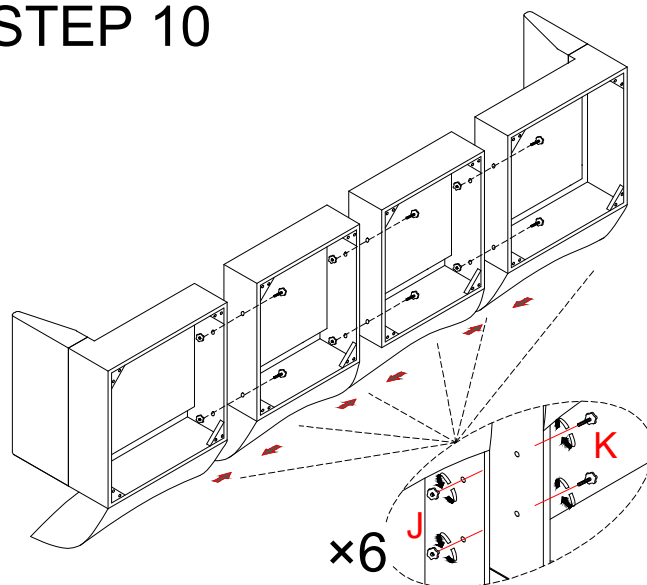
STEP 8



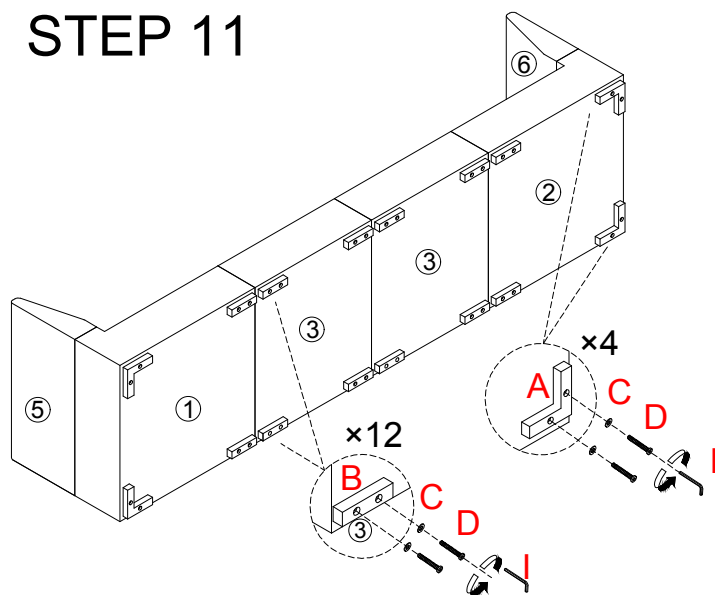
STEP 9



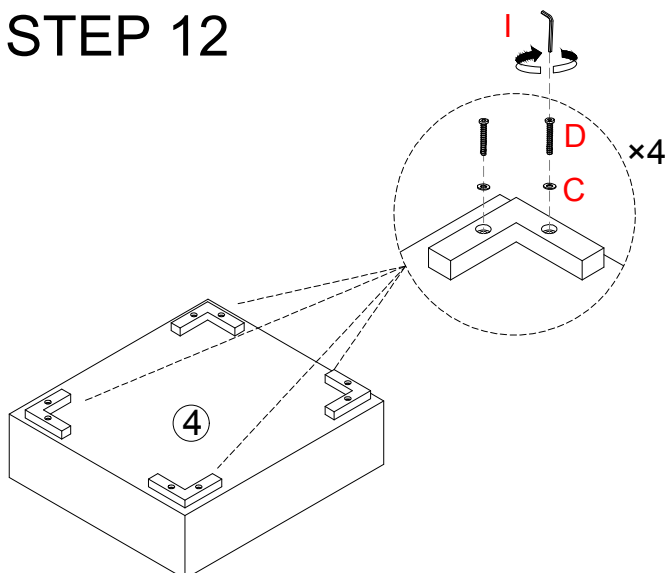
STEP 10



STEP 11



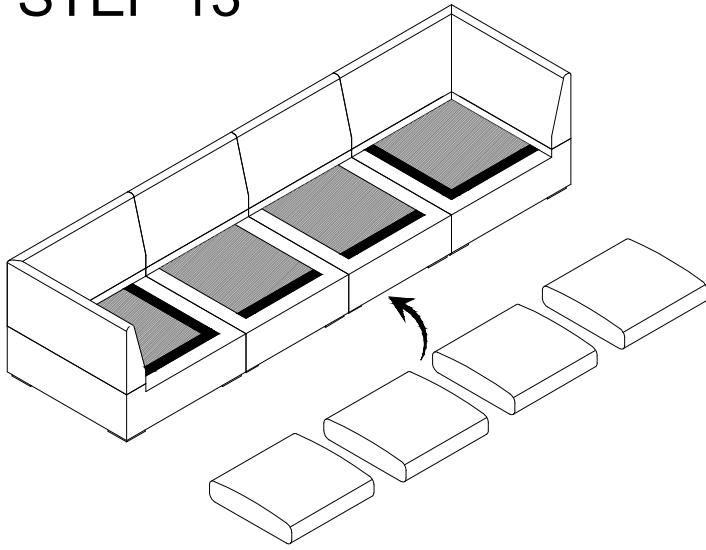
STEP 12



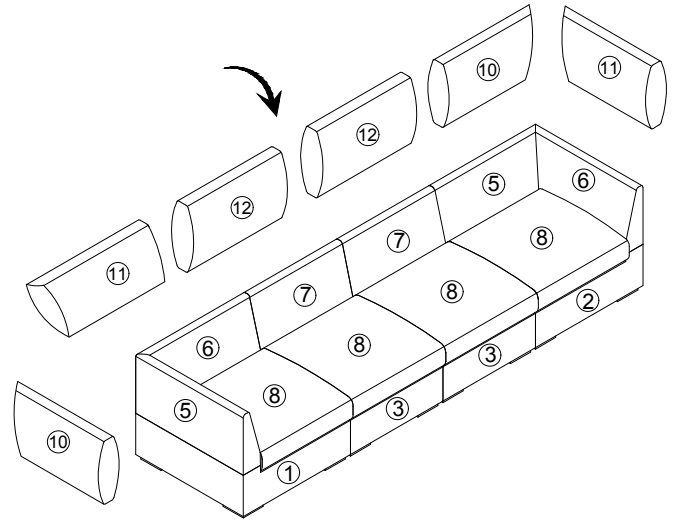
④ ASSEMBLY INSTRUCTION

MODEL NO.HC5601

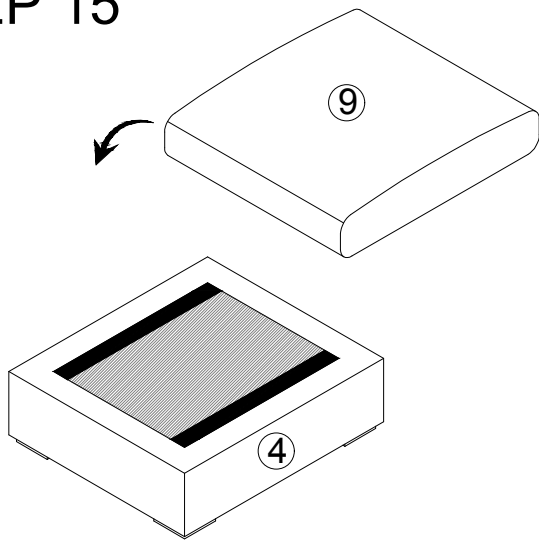
STEP 13



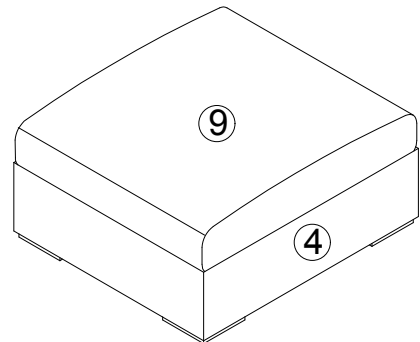
STEP 14



STEP 15



STEP 16



STEP 17

