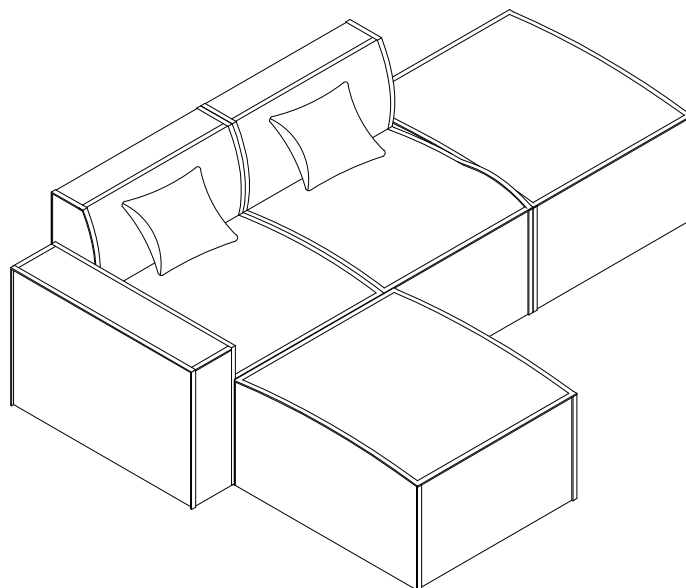
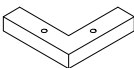
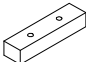

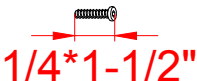







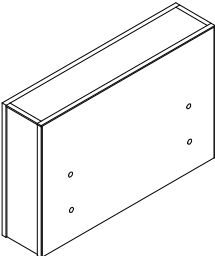
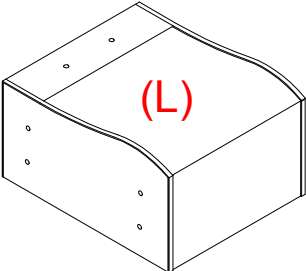
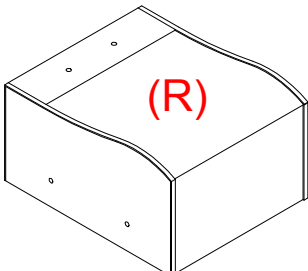
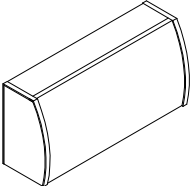
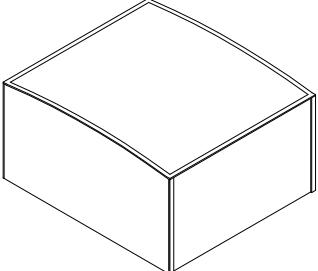
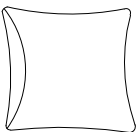


# ① ASSEMBLY INSTRUCTION

## MODEL NO.5501S

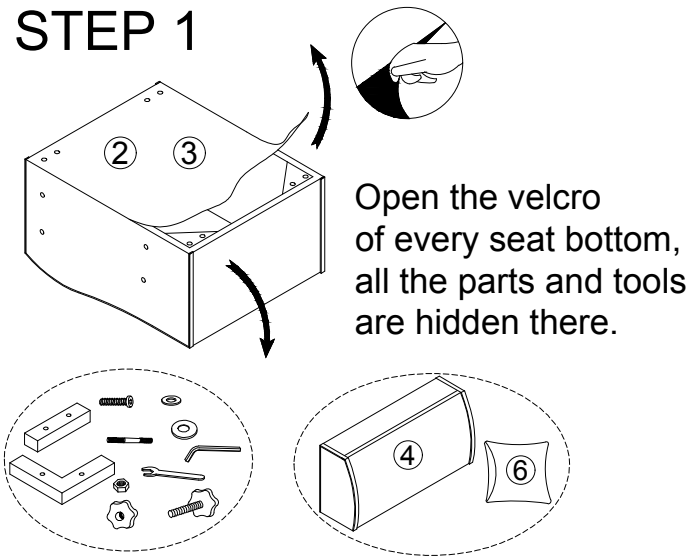


Components/QTY	Components/QTY	Components/QTY
A 10PCS 	B 8PCS 	C 36PCS  $1/4 \times 19\text{MM}$
D 36PCS  $1/4 \times 1-1/2"$	E 8PCS  $5/16 \times 3-1/2"$	F 8PCS  $5/16 \times 25\text{MM}$
G 8PCS  $5/16 \times 12\text{MM}$	H 1PC  $M12 \times 85\text{MM}$	I 1PC  $1/4 \times 60\text{MM}$
J 2PCS  $M8 \times 3/4"$	K 2PCS  $M8 \times 100\text{MM}$	
① Armrest×1PC 	② Left Seat×1PC 	③ Right Seat×1PC 
④ Backrest×2PCS 	⑤ Ottoman×2PCS 	⑥ Cushion×2PCS 

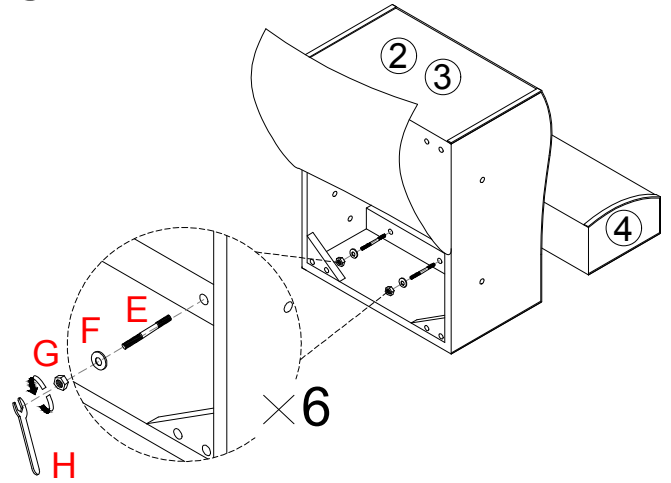
# ② ASSEMBLY INSTRUCTION

## MODEL NO.5501S

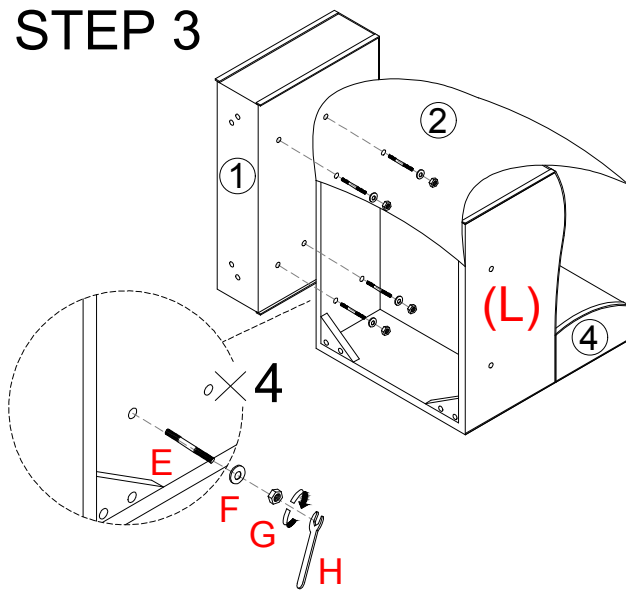
### STEP 1



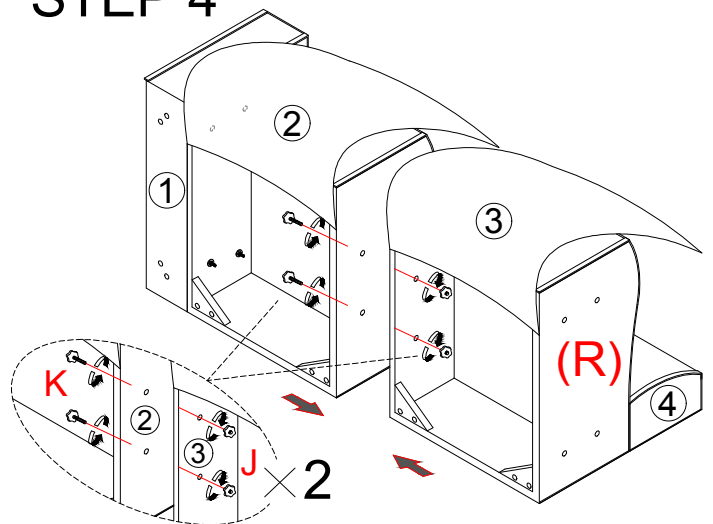
### STEP 2



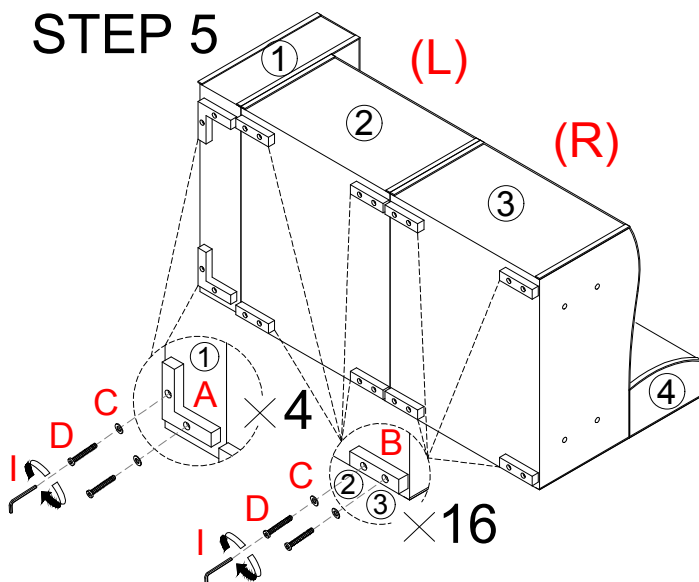
### STEP 3



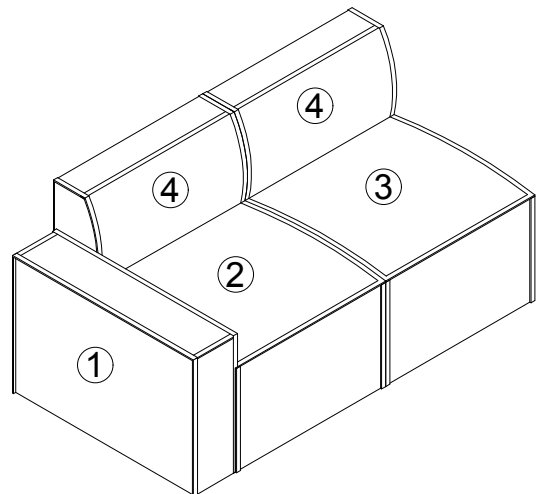
### STEP 4



### STEP 5



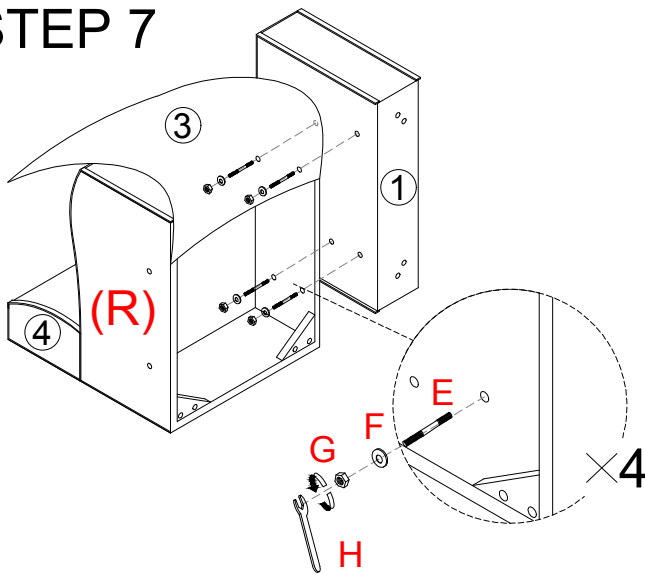
### STEP 6



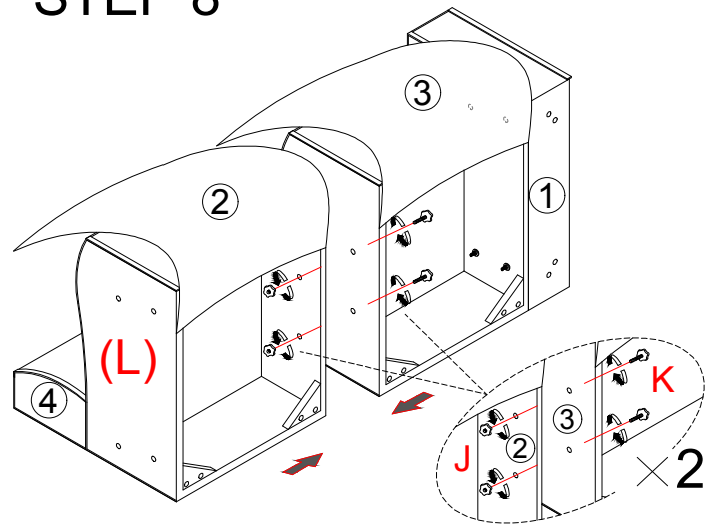
# ③ ASSEMBLY INSTRUCTION

## MODEL NO.5501S

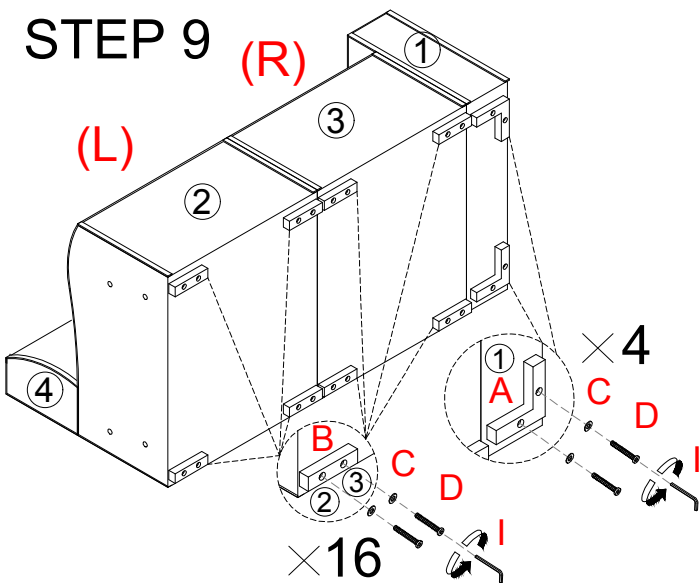
STEP 7



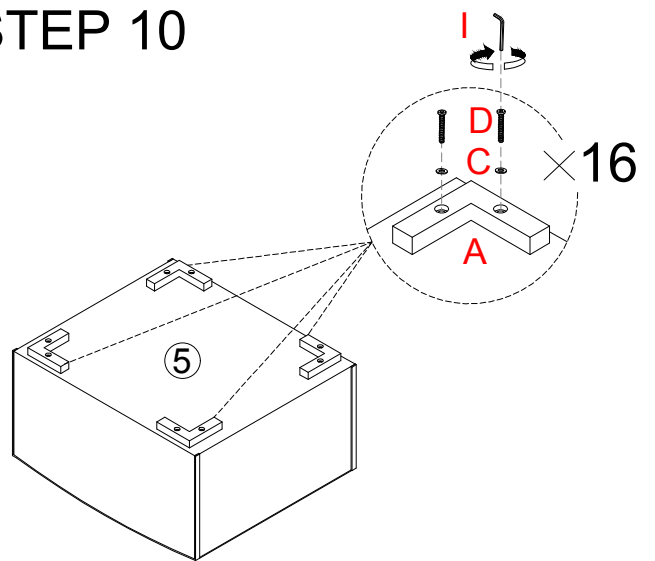
STEP 8



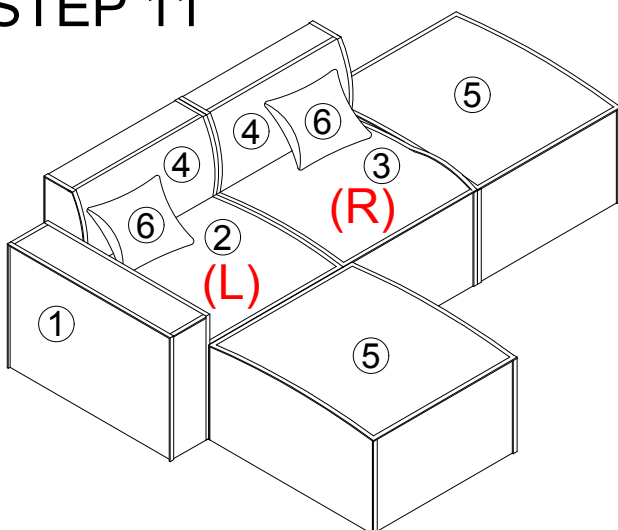
STEP 9 (R)



STEP 10



STEP 11



STEP 12

