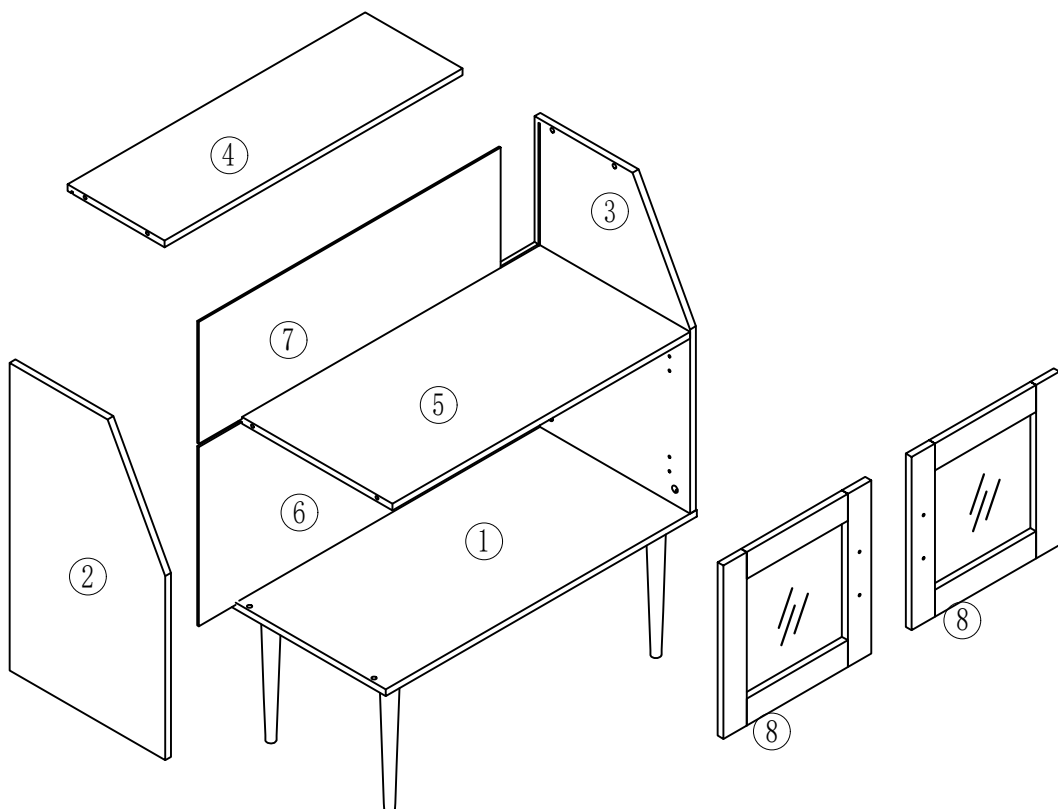
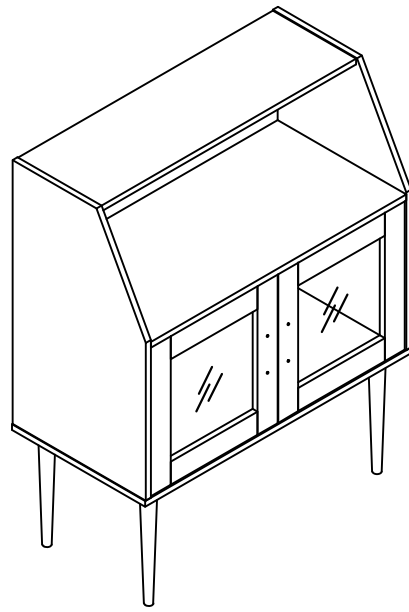
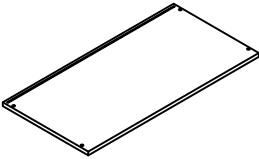
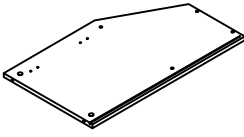
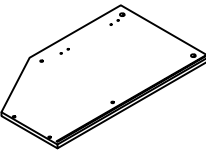
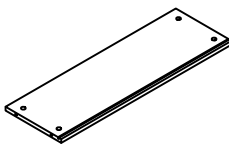
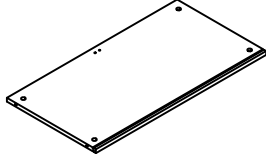
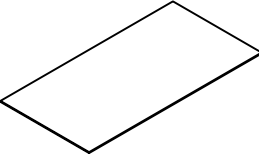
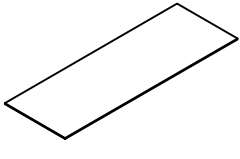
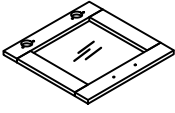



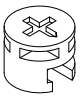
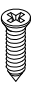


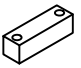
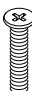

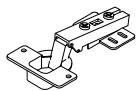
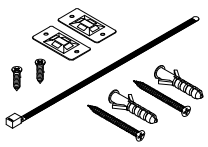

ASSEMBLY INSTRUCTIONS

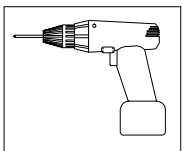


Part List

				
① x1Pc	② x1Pc	③ x1Pc	④ x1Pc	⑤ x1Pc
				
⑥ x1Pc	⑦ x1Pc	⑧ x2Pcs		



Hardware List

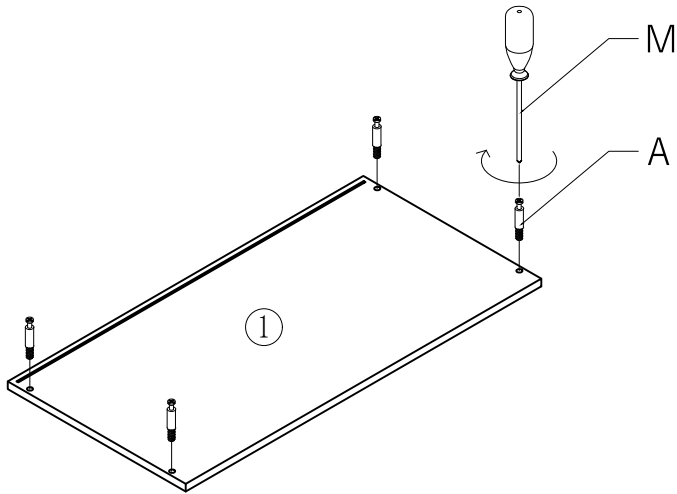
				
Ax12Pcs	Bx12Pcs	M4x14 Cx26Pcs	M5x16 Dx16Pcs	Ex4Pcs
				
Fx1Pc	M4x18 Gx4Pcs	Hx2Pcs	Kx4Pcs	Lx1Pc
				
Mx1Pcs				




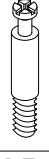
PLEASE BE CAREFUL. DO NOT DAMAGE THE HOLE POSITION WHEN YOU USE POWER TOOLS !

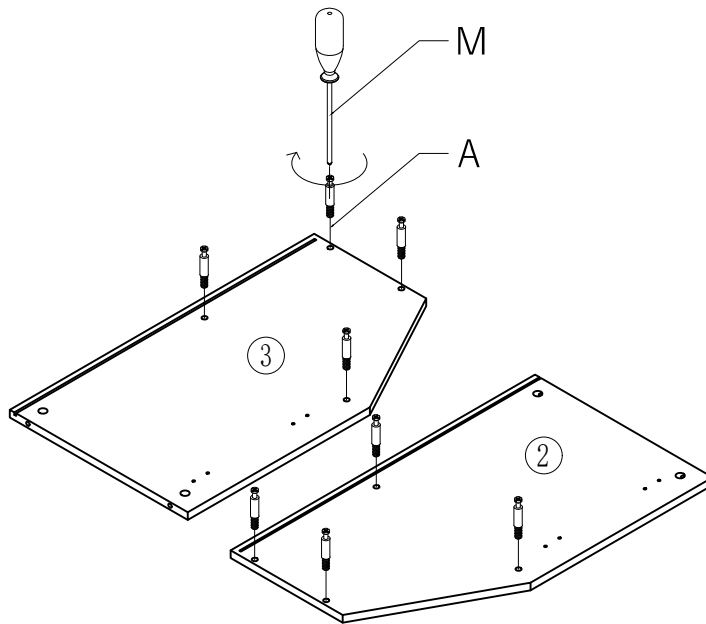
Step 1

	
Mx1Pc	Ax4Pcs


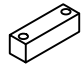
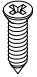


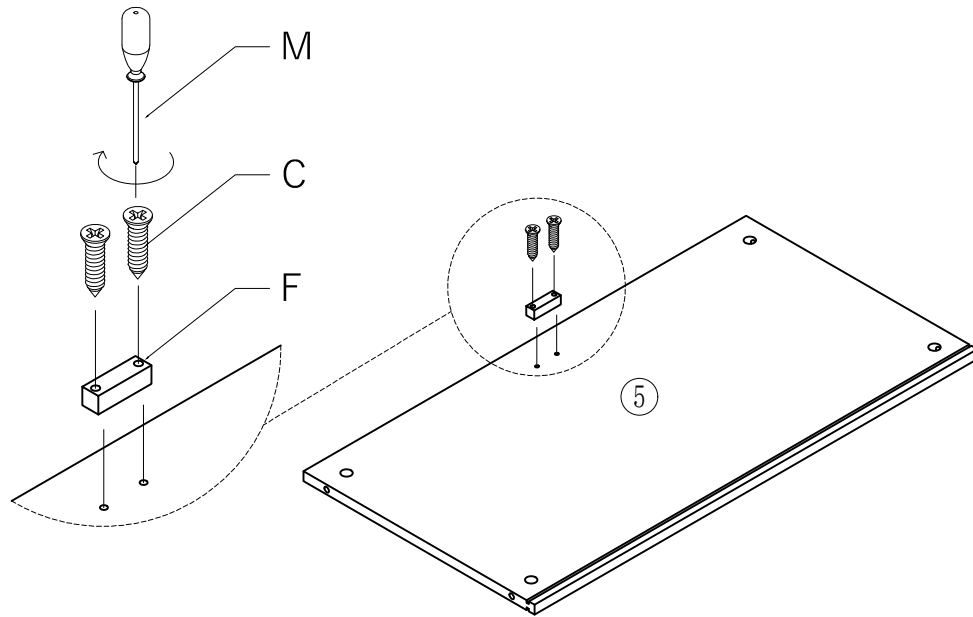
Step 2

	
Mx1Pc	Ax8Pcs





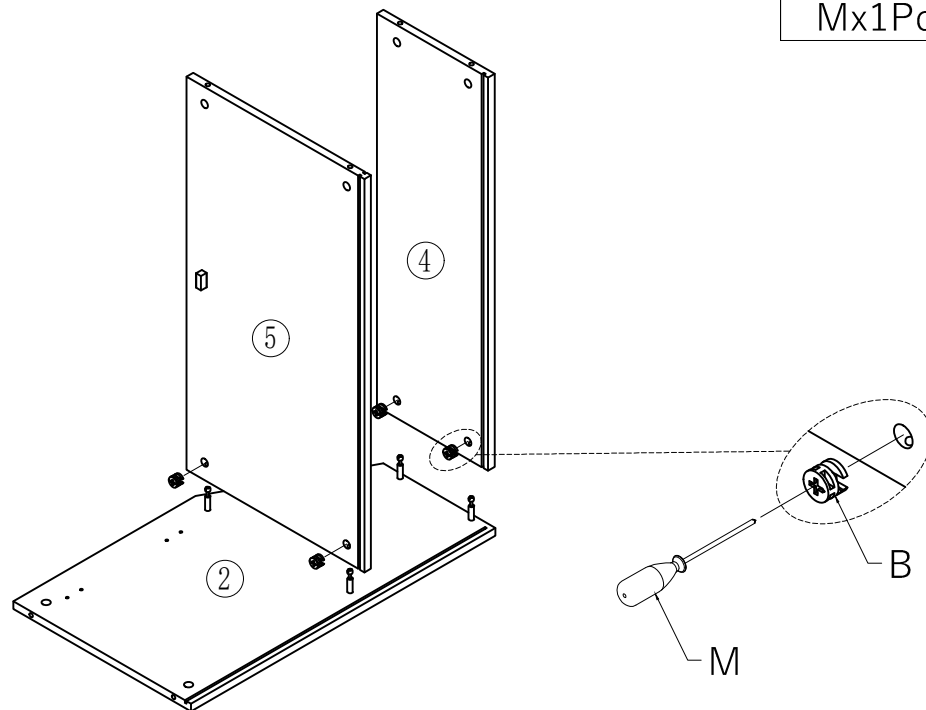
Step 3

		
Mx1Pc	Fx1Pc	M4x14 Cx2Pcs



Step 4

	
Mx1Pc	Bx4Pcs



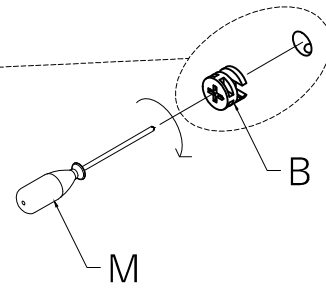
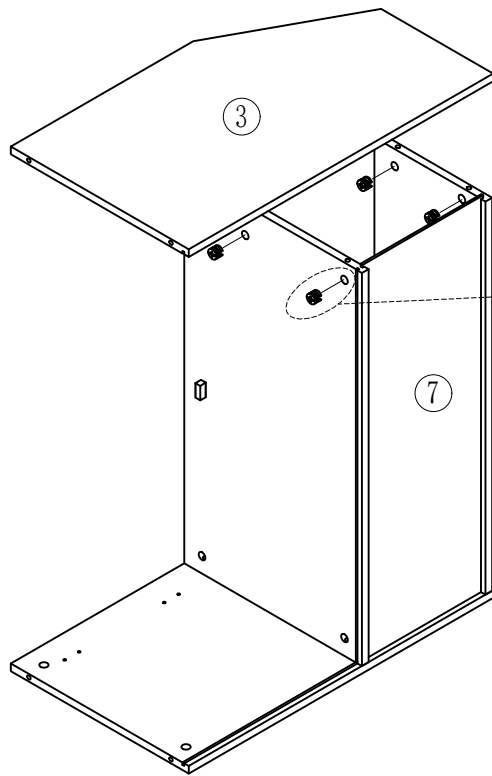
Step 5



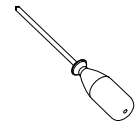
Mx1Pc



Bx4Pcs



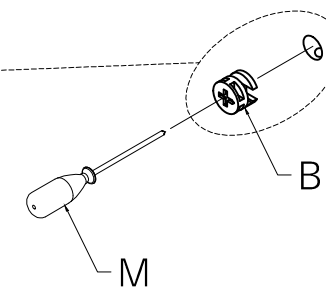
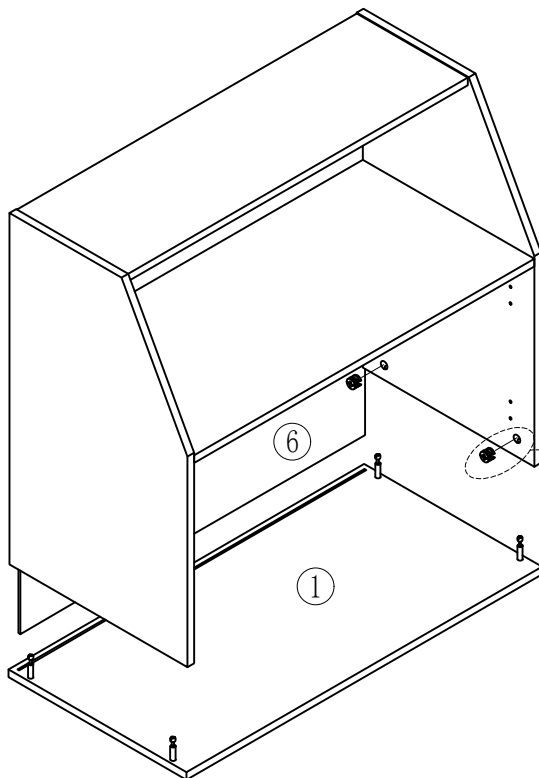
Step 6





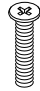
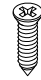
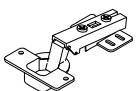
Mx1Pc

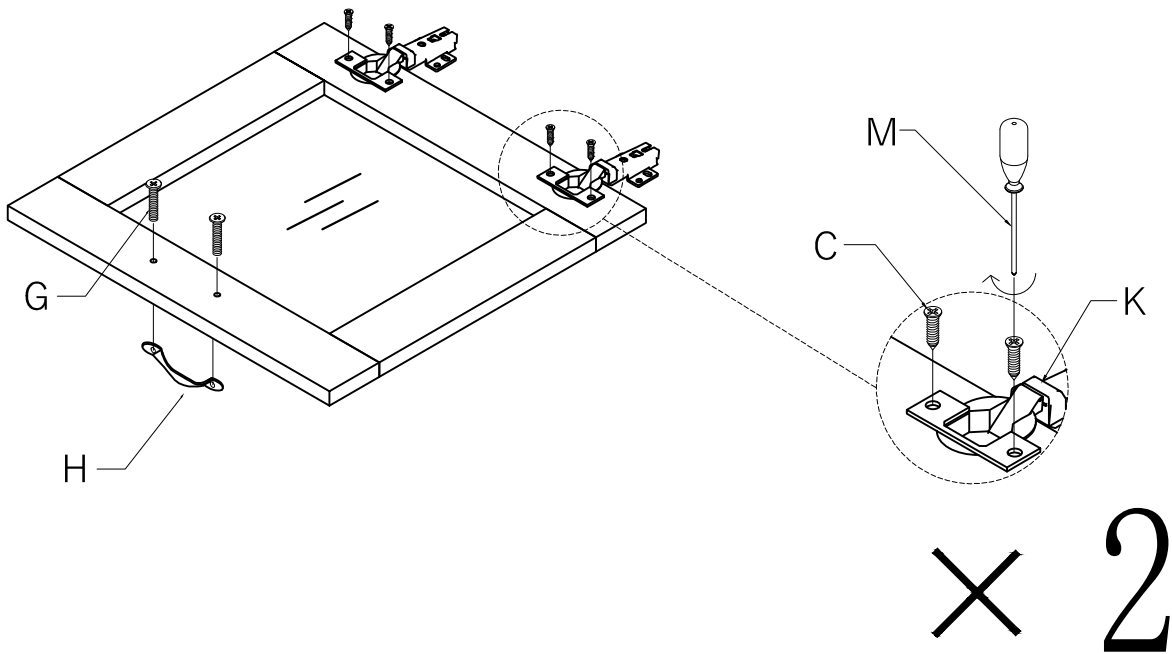


Bx4Pcs






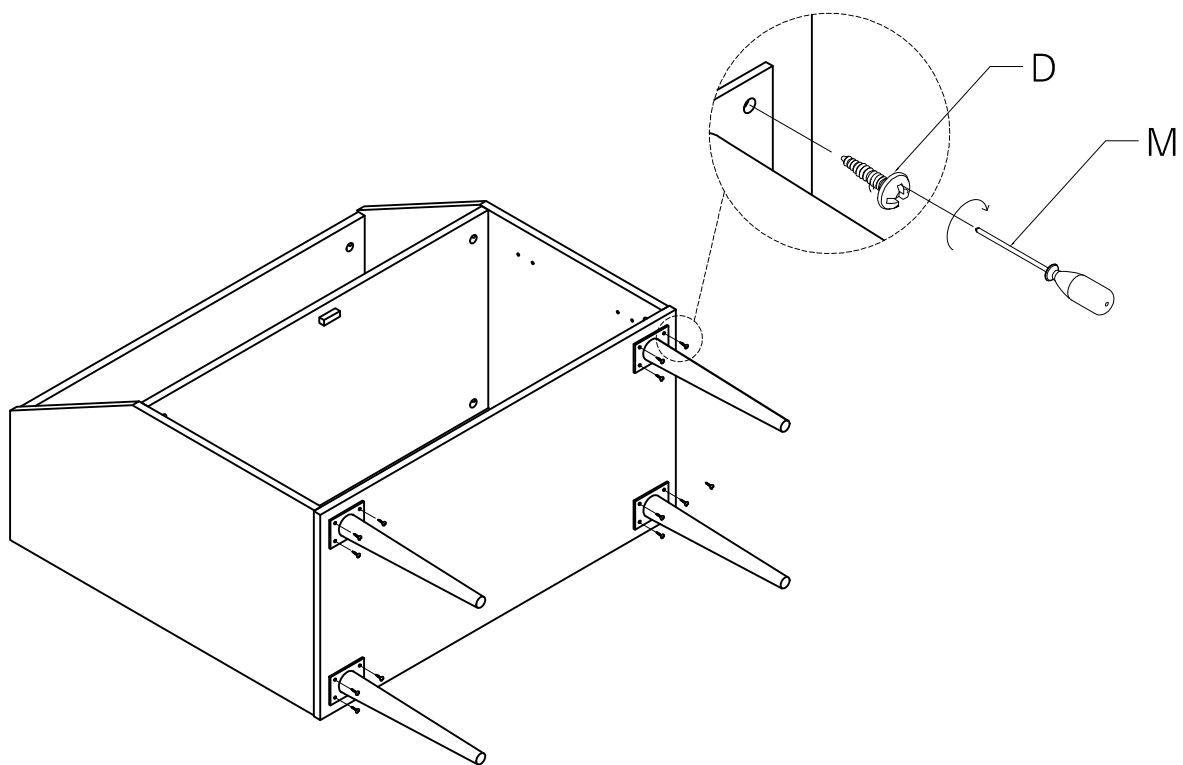
Step 7

				
Mx1Pc	Hx2Pcs	Gx4Pcs	Cx8Pcs	Kx4Pcs


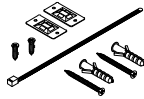
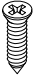


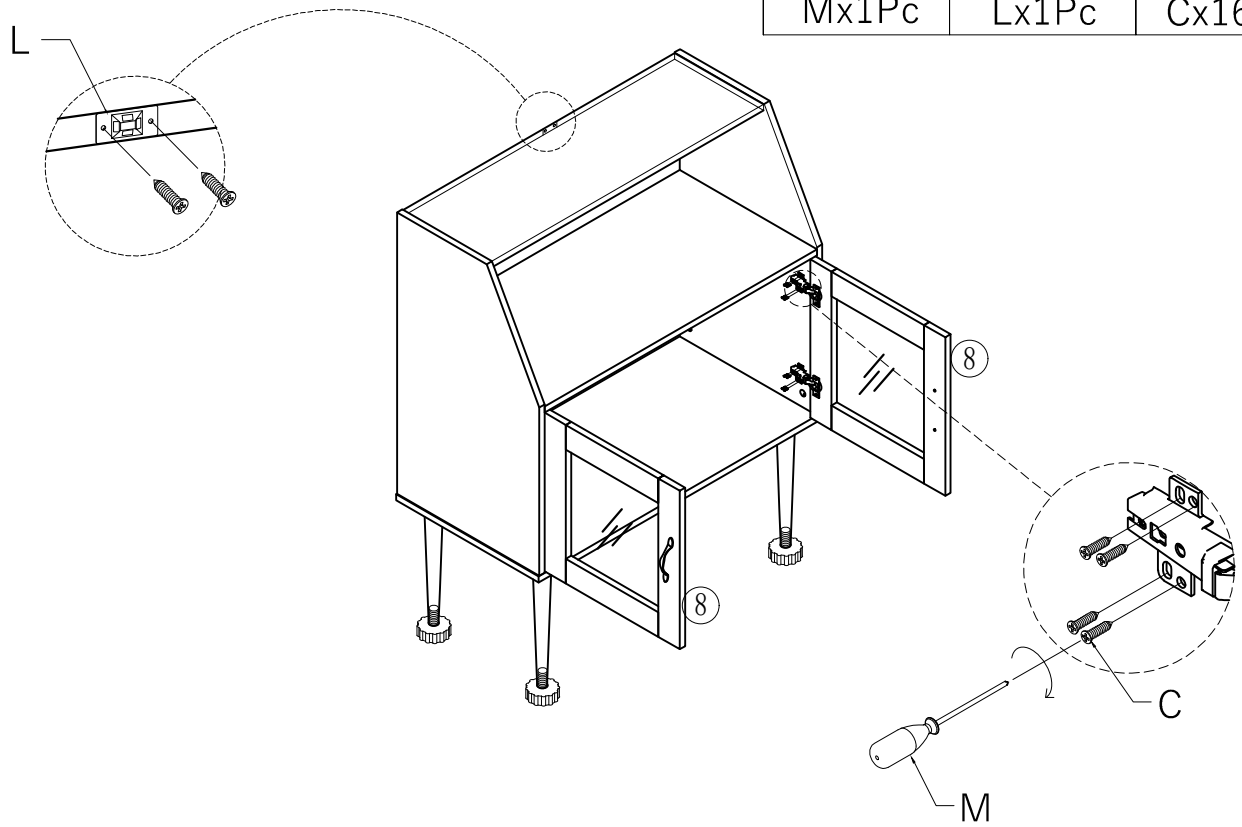
Step 8

		
Ex4Pcs	Mx1Pc	Dx16Pcs

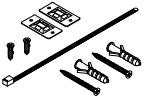


Step 9

		
Mx1Pc	Lx1Pc	M4x14 Cx16Pcs



Step 10


Lx1Pc

