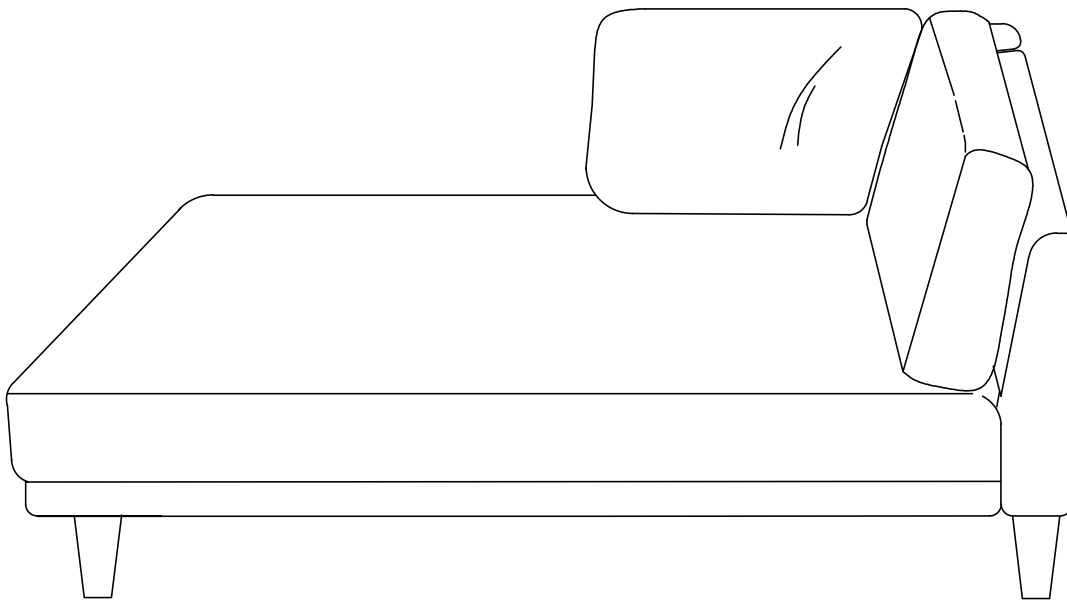


ASSEMBLY INSTRUCTION




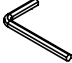

WF294894



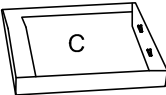





Return & Warranty policy:

- We strive to offer the highest quality products, and we also try our best to satisfy each and every customer that orders from us with replacement parts/or service as needed.
- If the items is damaged or defective, please take photos as evidence for replacements and refunds.
- Please do not return to store, contact the seller if you have any troubles with this product.

ASSEMBLY INSTRUCTION

HARDWARE-WF294894			
NO	DESCRIPTION	SKETCH	QTY
1	BOLT M8*60		6 PCS
2	FLAT WASHER 8*19		6 PCS
3	SPRING WASHER 8*13		6 PCS
4	ALLEN KEY 5mm		1 PC
5	FEET DECALS 30*3mm		5 PCS

PARTS LIST WF294894			
NO	DESCRIPTION	SKETCH	QTY
A	LEG		5 PCS
B	ARM		1 PC
C	BACKREST		1 PC
D	SEAT FRAME		1 PC
E	CUSHION		1 PC
F	CUSHION		1 PC

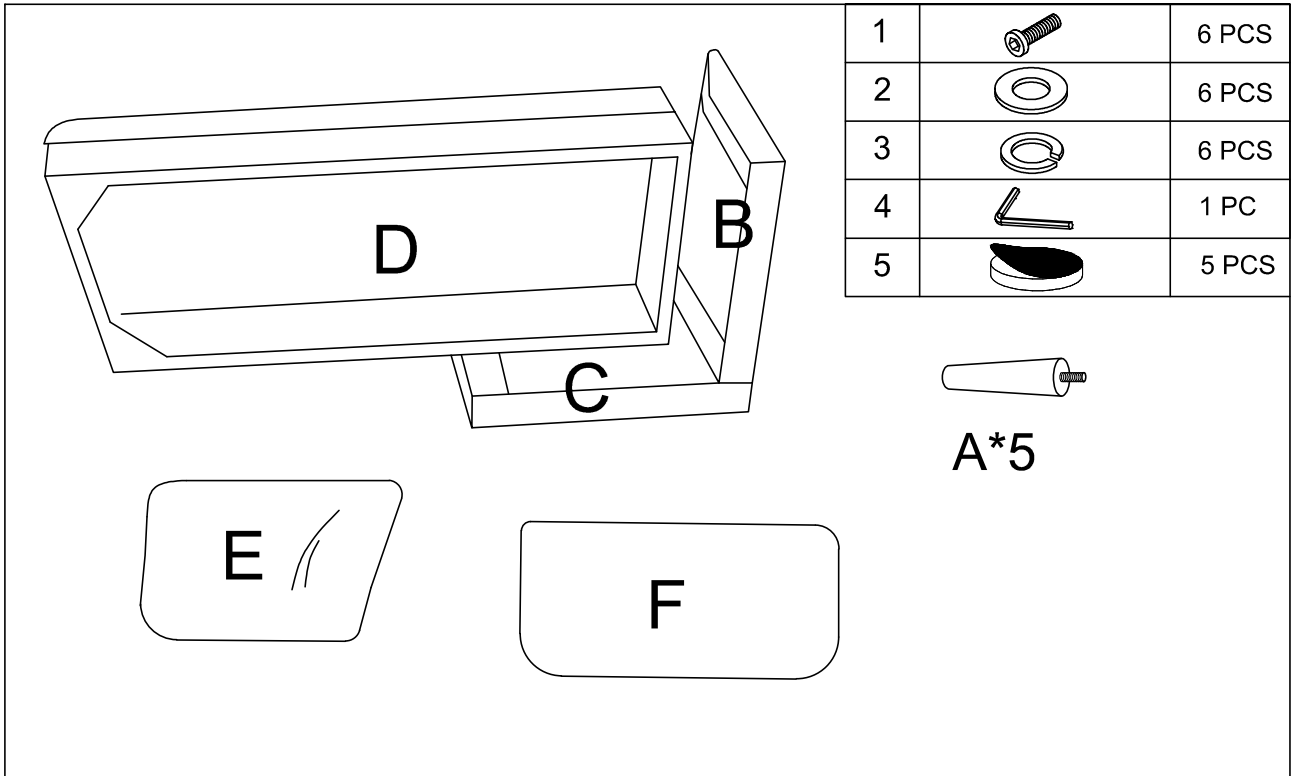


DIAGRAM1

Connect the Arm (part B) and the Backrest (part C). Follow the direction shows in the circle.

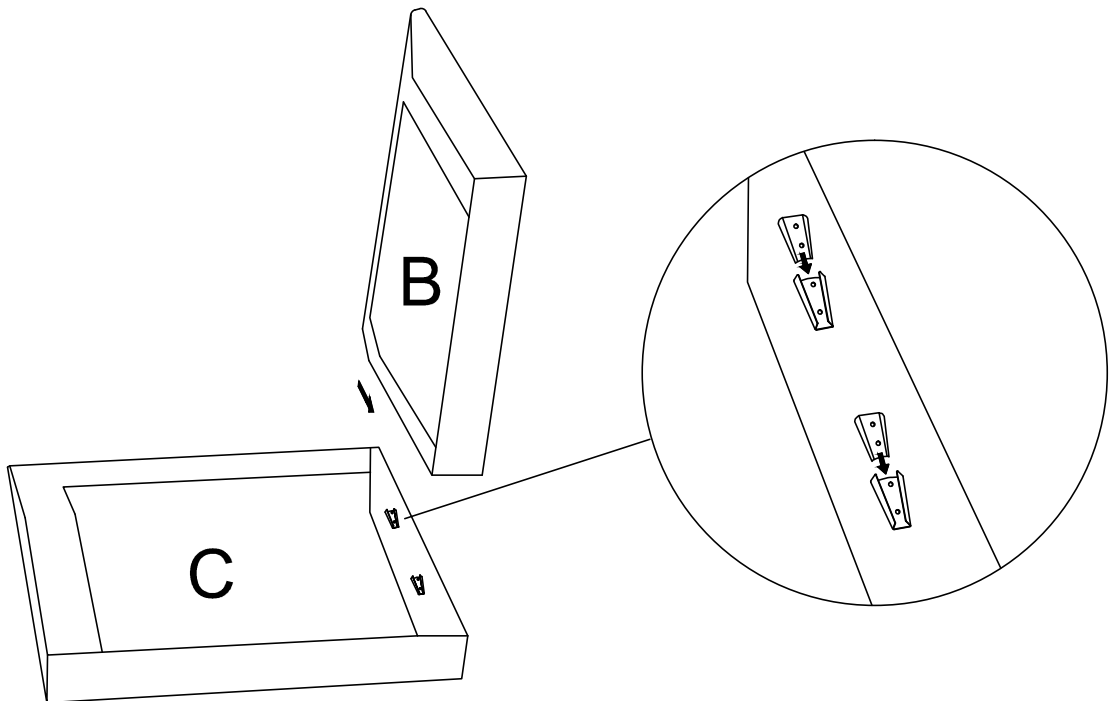


DIAGRAM2

Use all hardwares listed in the upper right table to connect the Seat frame(part D), the Arm (part B) and the Backrest (part C).Put the Spring washers (part 3) on top of the flat washer (part 2).Don't screw any bolt all in until the others are all put into the holes.To ensure the good looking of the chaise,remember to keep the bottom of the frame align.Tighten all the bolts.

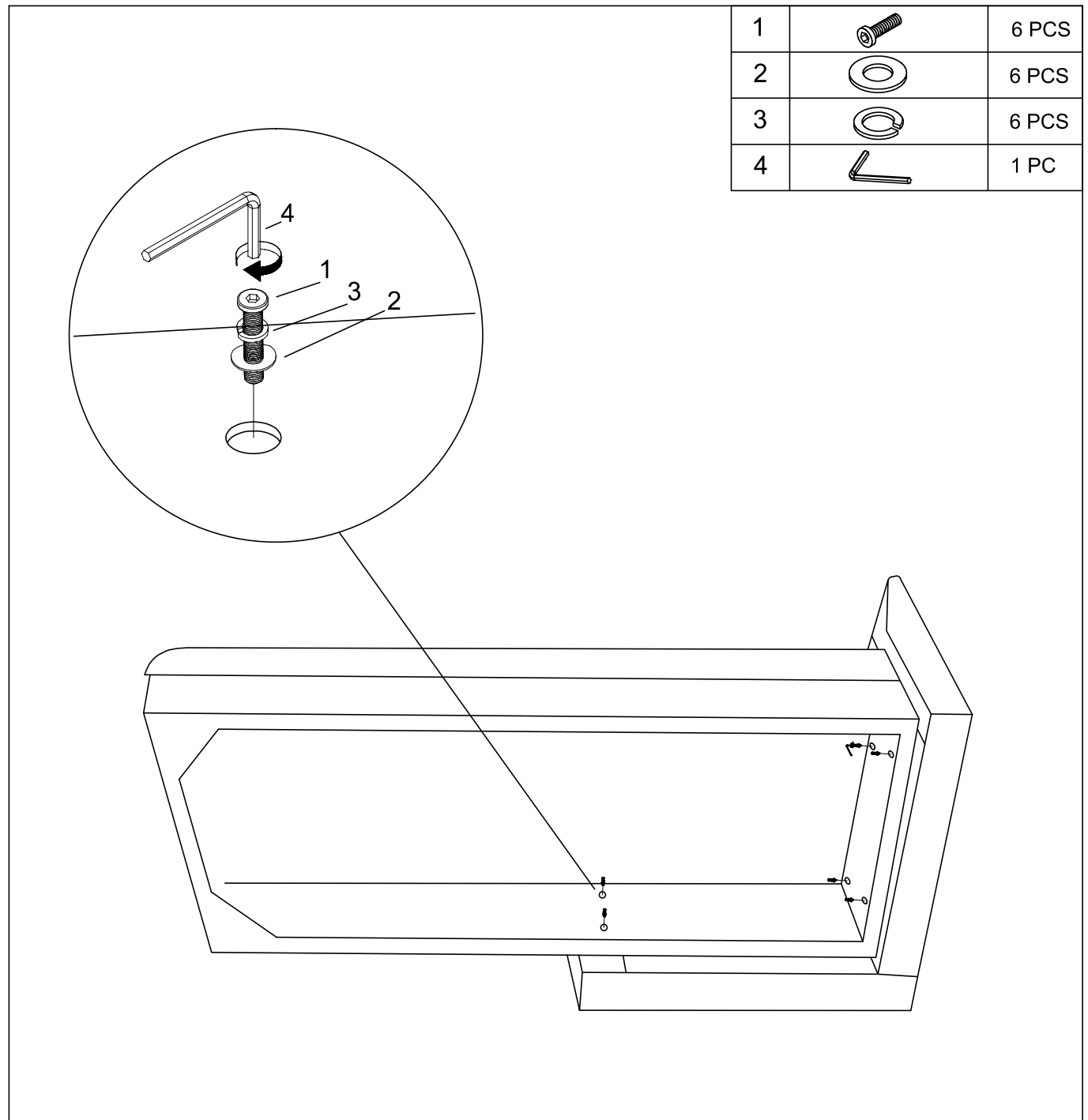


DIAGRAM3

Screw in the 5 legs (part A) clockwise one by one, and stick the feet decal onto each leg.

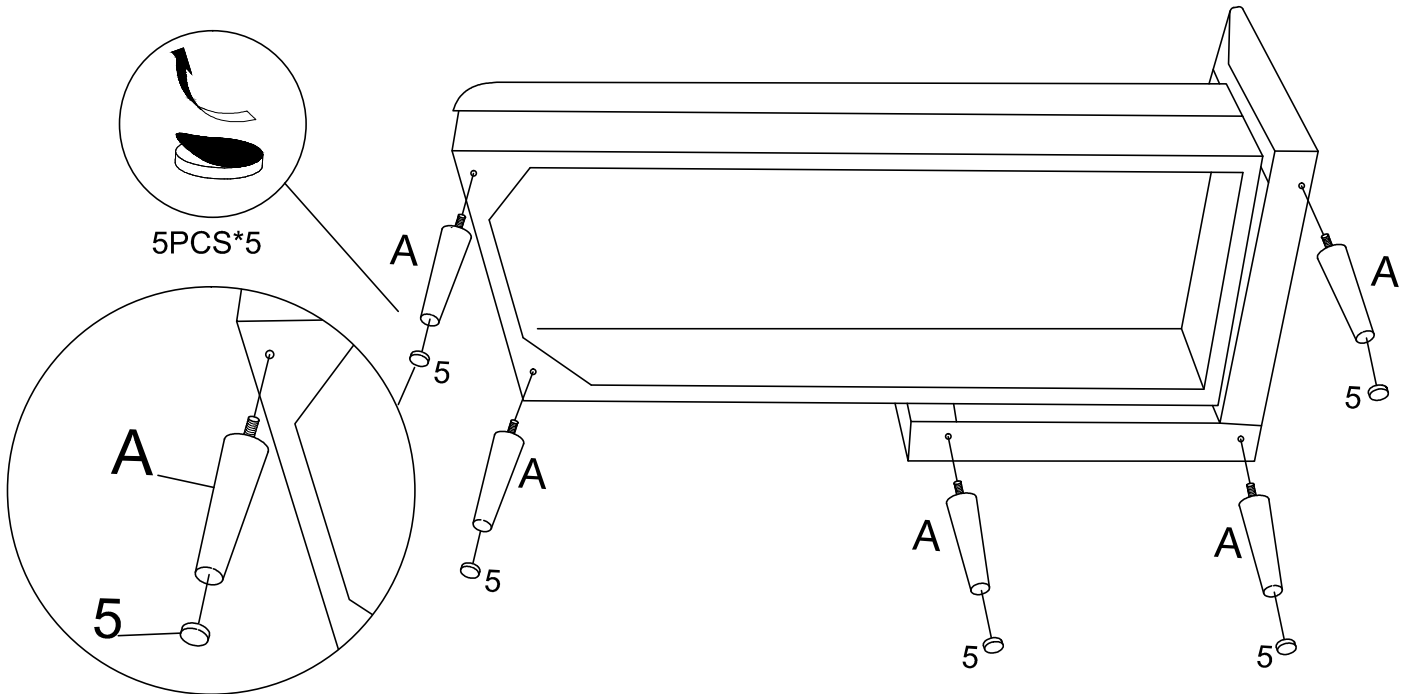


DIAGRAM4

Put the cushions (E&F) on the chaise. Recheck all the bolts before you sit on the chaise.

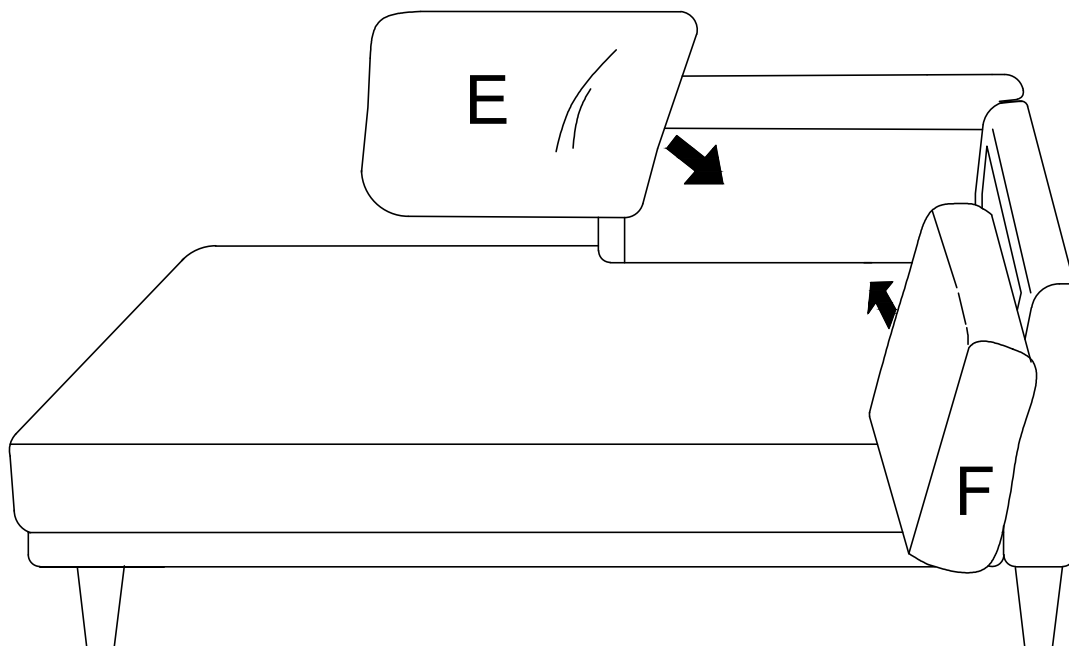
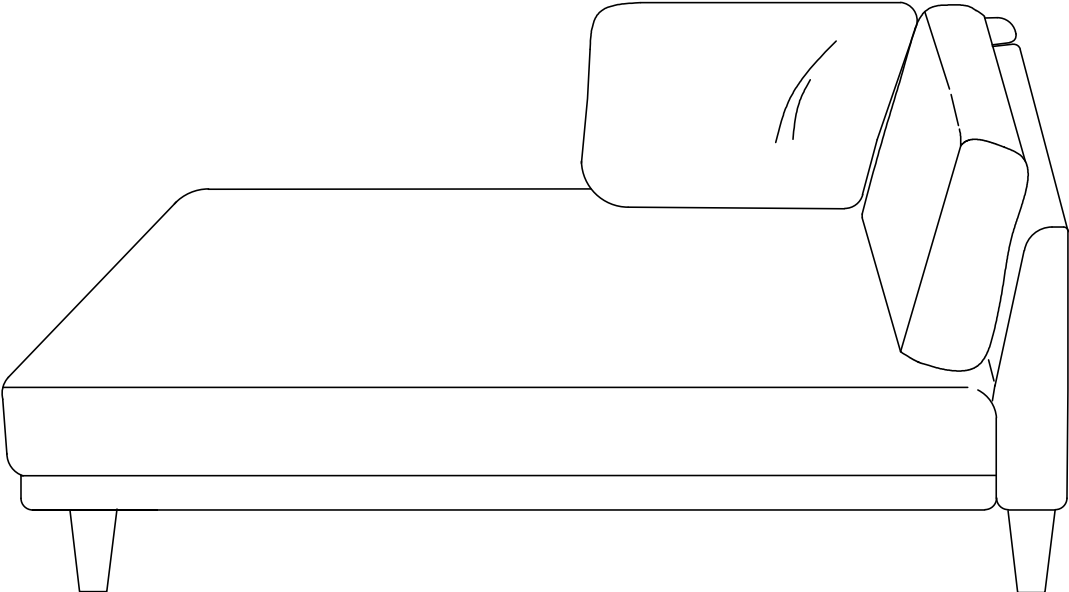


DIAGRAM5



COMPLETE