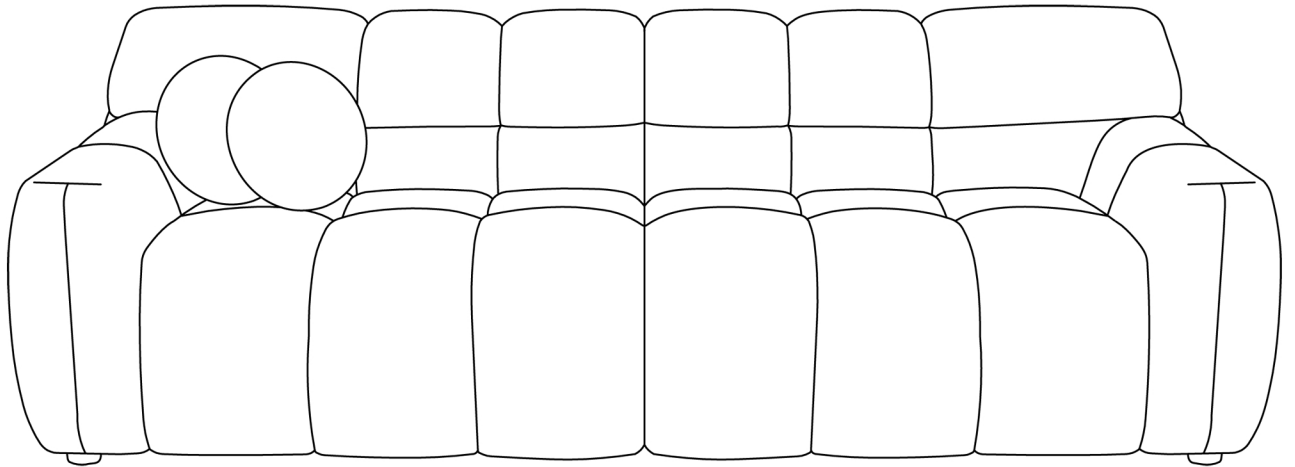
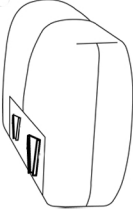

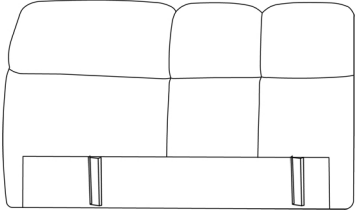
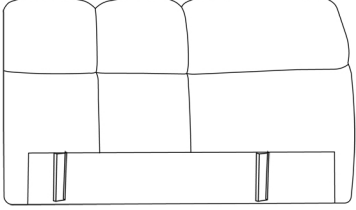
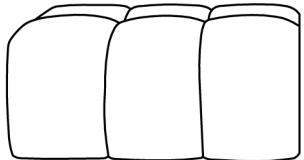
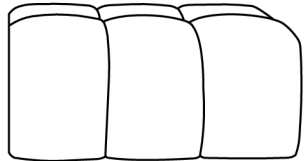
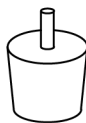
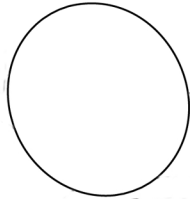


Assembly Instruction

Sofa

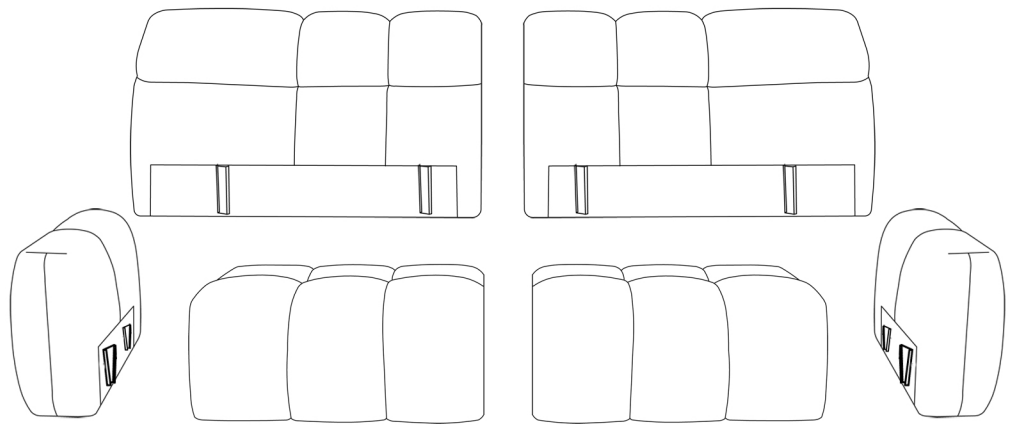


Parts List

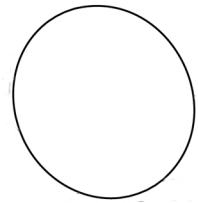
Label	Picture	Descriptio	QTY
A	 A line drawing of a curved armrest with a rectangular base and a small notch on the side.	Right Armrest	1
B	 A line drawing of a curved armrest, similar to part A but mirrored.	Left Armrest	1
C	 A line drawing of a rectangular backrest with three vertical sections and two horizontal sections, and a base with two vertical supports.	Left Backrest	1
D	 A line drawing of a rectangular backrest, similar to part C but mirrored.	Right Backrest	1
E	 A line drawing of a rectangular seat with three vertical sections.	Left Seat	1
F	 A line drawing of a rectangular seat, similar to part E but mirrored.	Right Seat	1
G	 A line drawing of a cylindrical leg with a small vertical post on top.	Leg	12
H	 A line drawing of an oval-shaped pillow.	Pillow	2

Assembly Preparation

Before Beginning
Assembly:



x12



x2



• Read instructions, cover to cover.



• Have 2 adults on hand for assembly.



• Do not assemble on flooring or carpet.

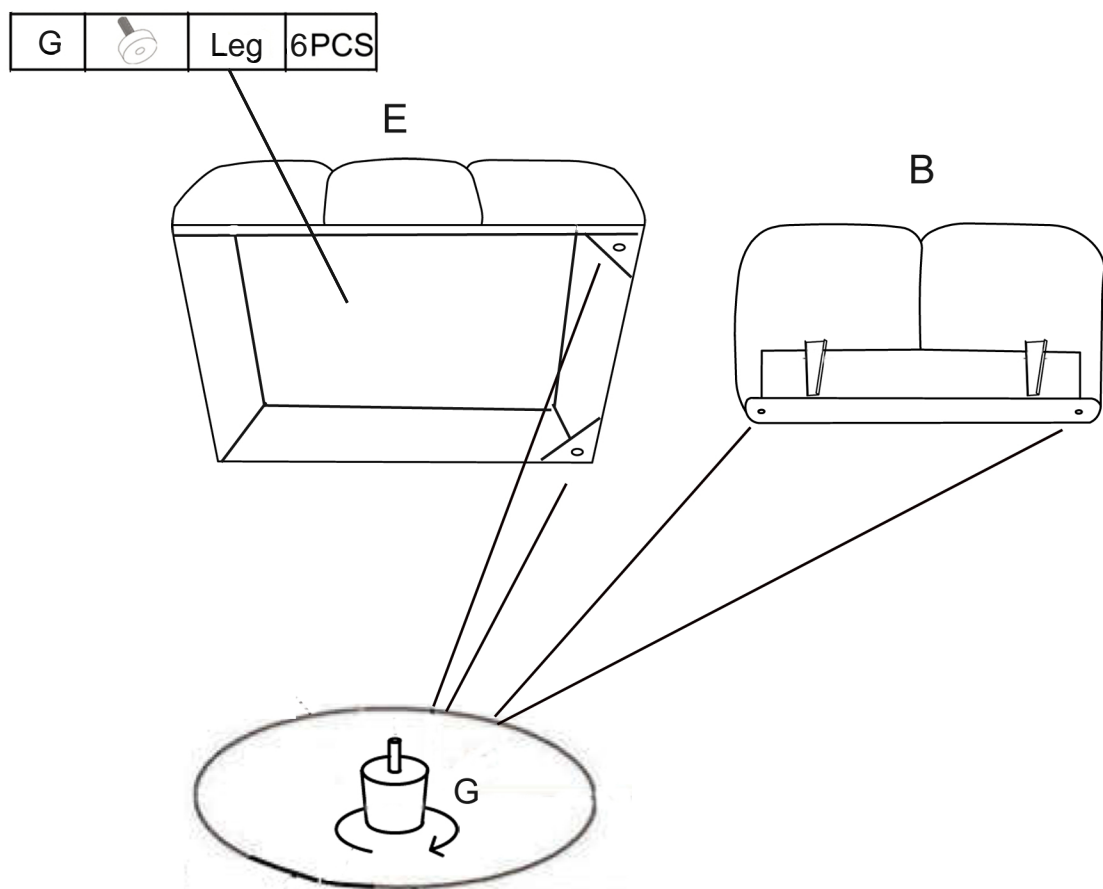
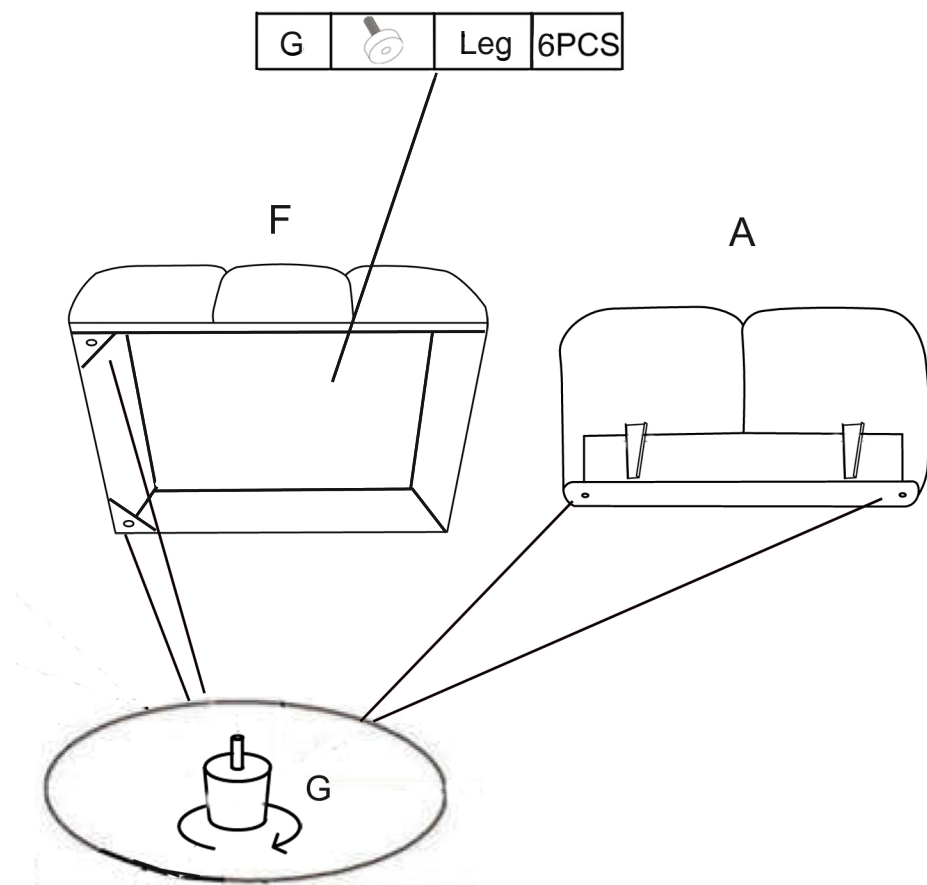


• Assemble on a clean non-marring surface (packing foam).

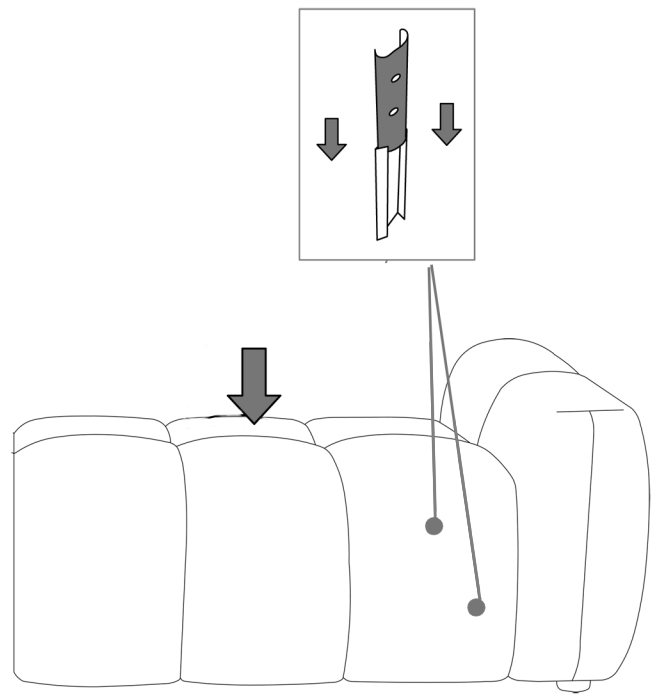
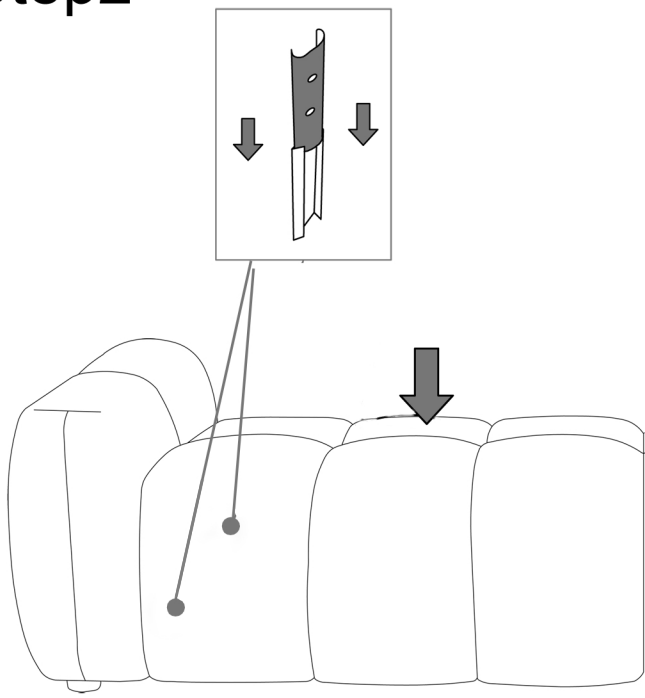


• Save all packaging until finished.

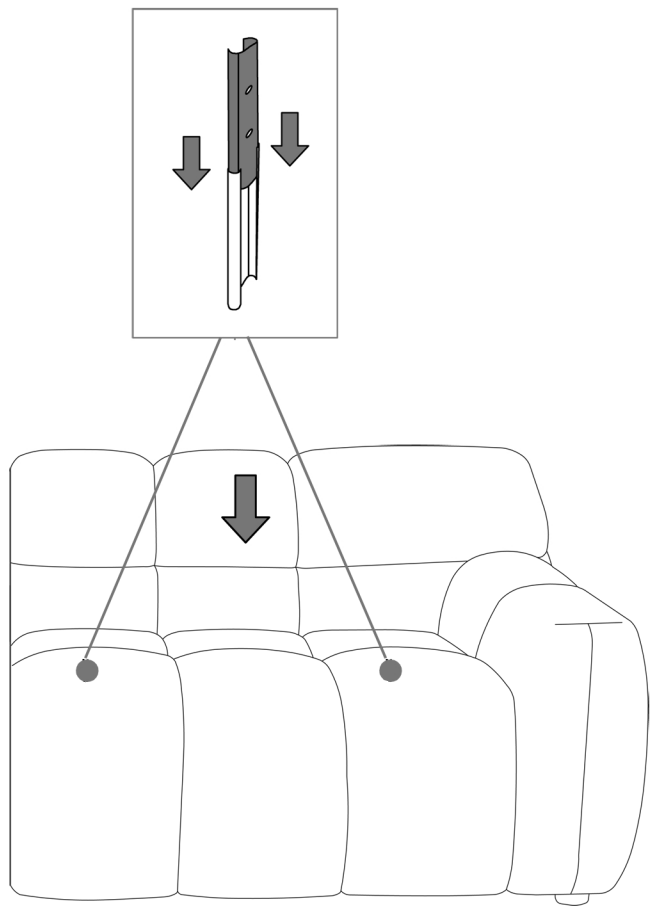
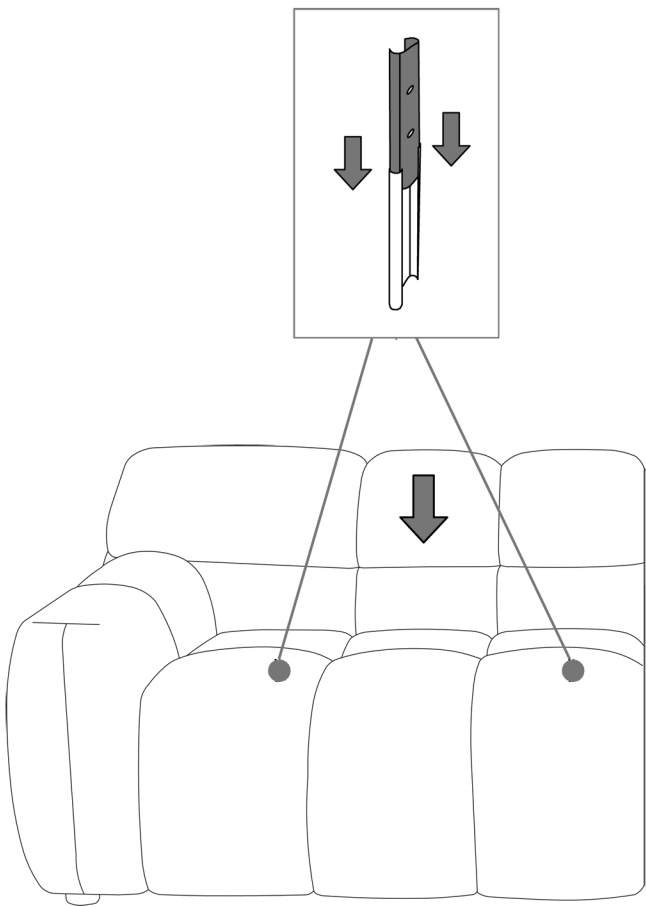
Step 1



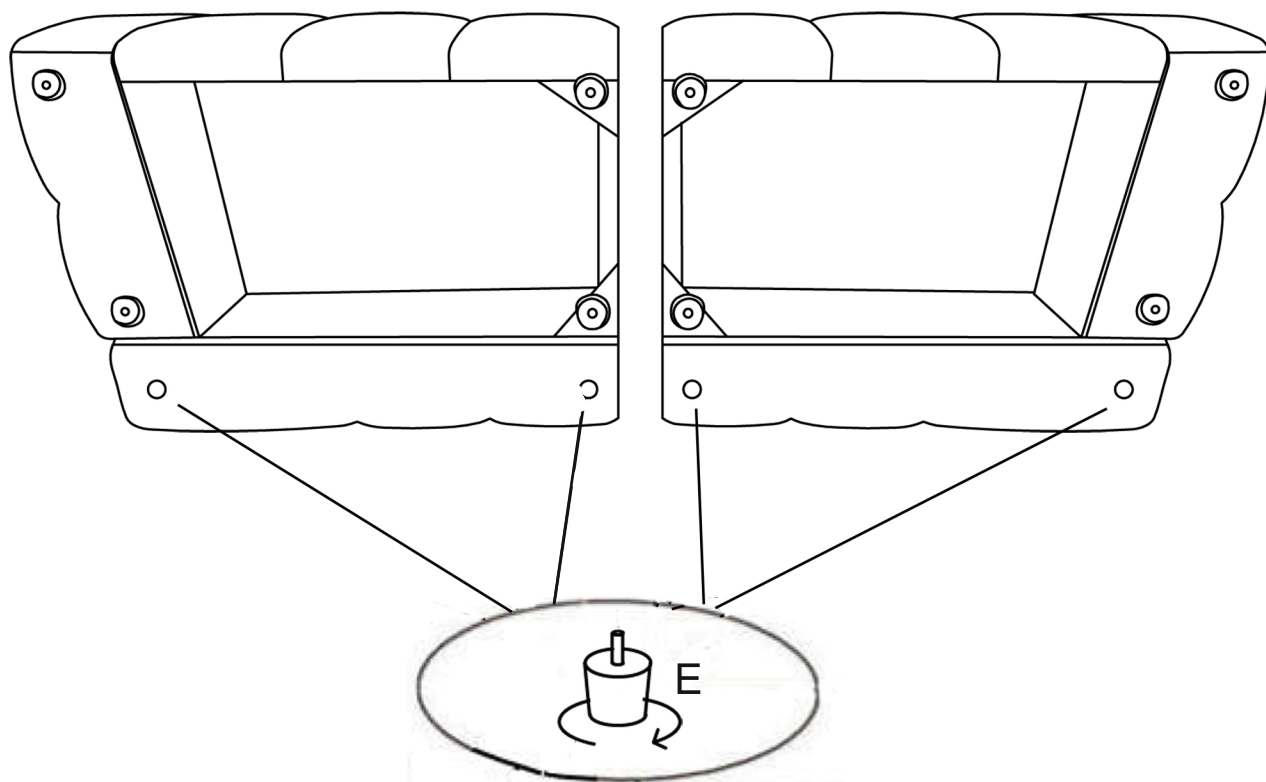
Step2



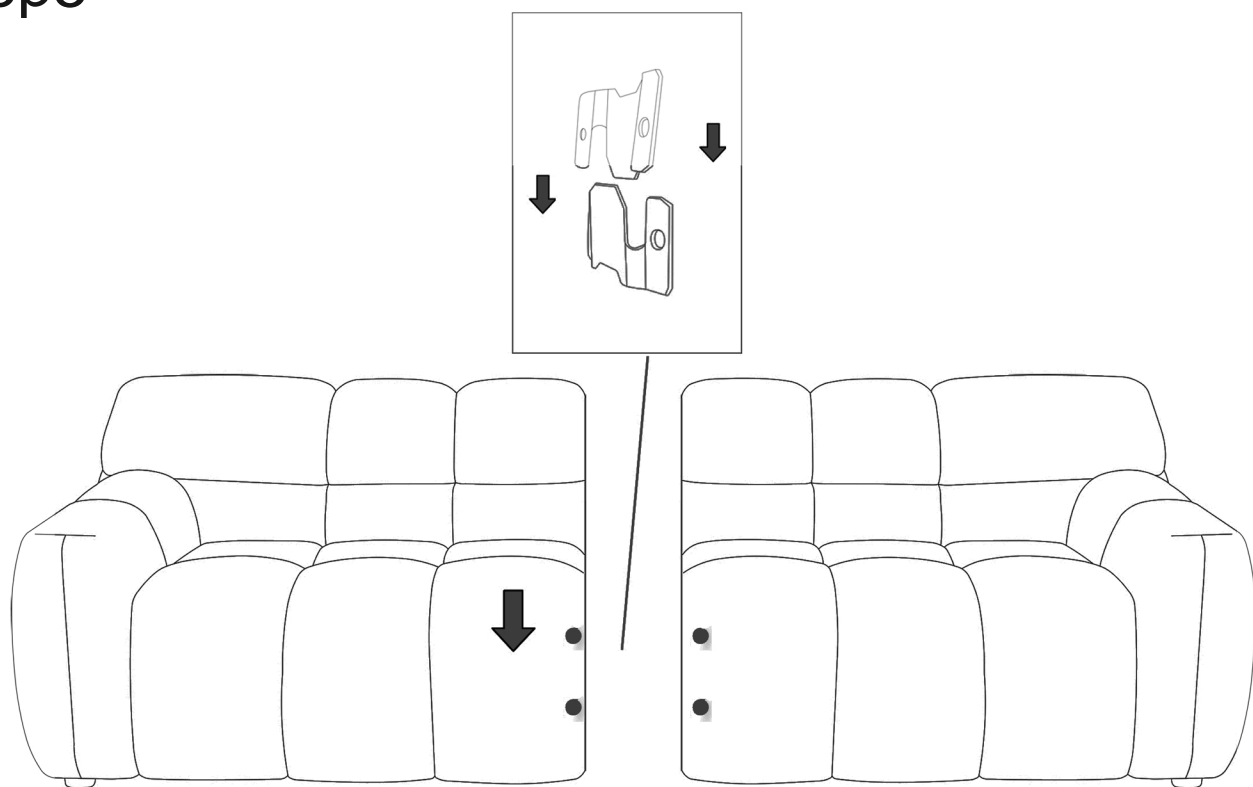
Step3



Step 4



Step 5



Step6

