





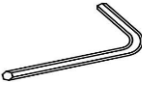
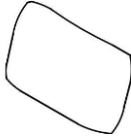
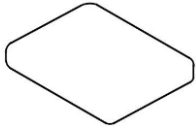
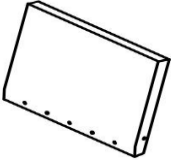
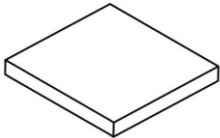
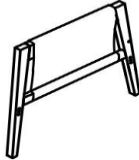
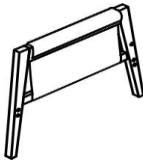
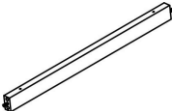
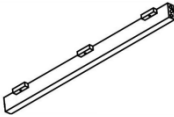


# ASSEMBLY INSTRUCTIONS

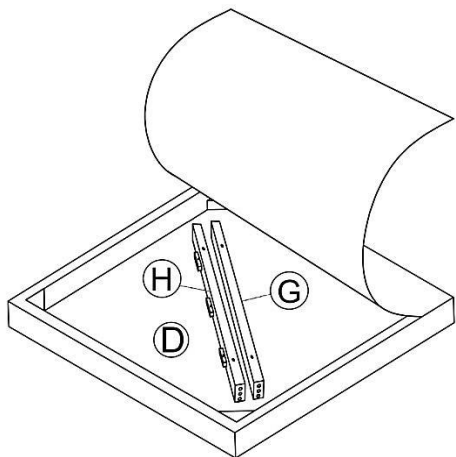
ITEM NO: AC302 ARMCHAIR

1/3

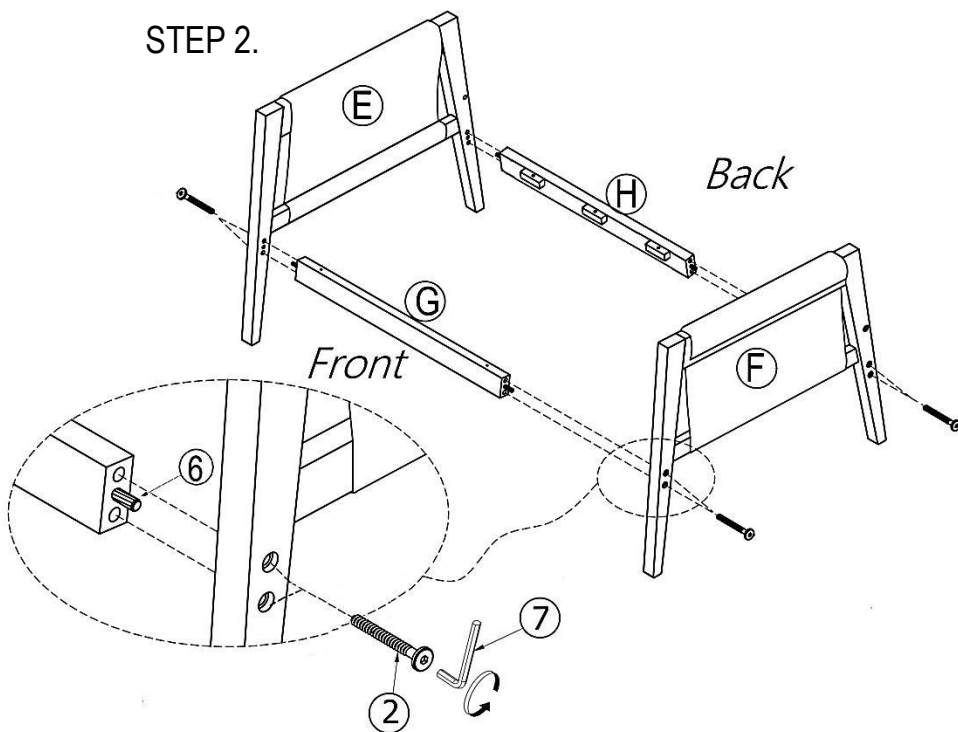
HARDWARE LIST		
NO.	PART	Q.TY
1	 Ø 5/16" x 60mm	3pcs
2	 Ø 1/4" x 50mm	10pcs
3	 Ø 5/16" x 13mm	3pcs
4	 Ø 5/16" x 19mm	3pcs
5	 Ø 10 x 30mm	6pcs
6	 M4 x 45mm	4pcs
7	 4mm	1pc

PART LIST			
NO.		PART	Q.TY
A		Back Cushion	1pc
B		Seat Cushion	1pc
C		Back Frame	1pc
D		Seat Frame	1pc
E		Left Armrest	1pc
F		Right Armrest	1pc
G		Front Stretcher	1pc
H		Back Stretcher	1pc

## STEP 1.

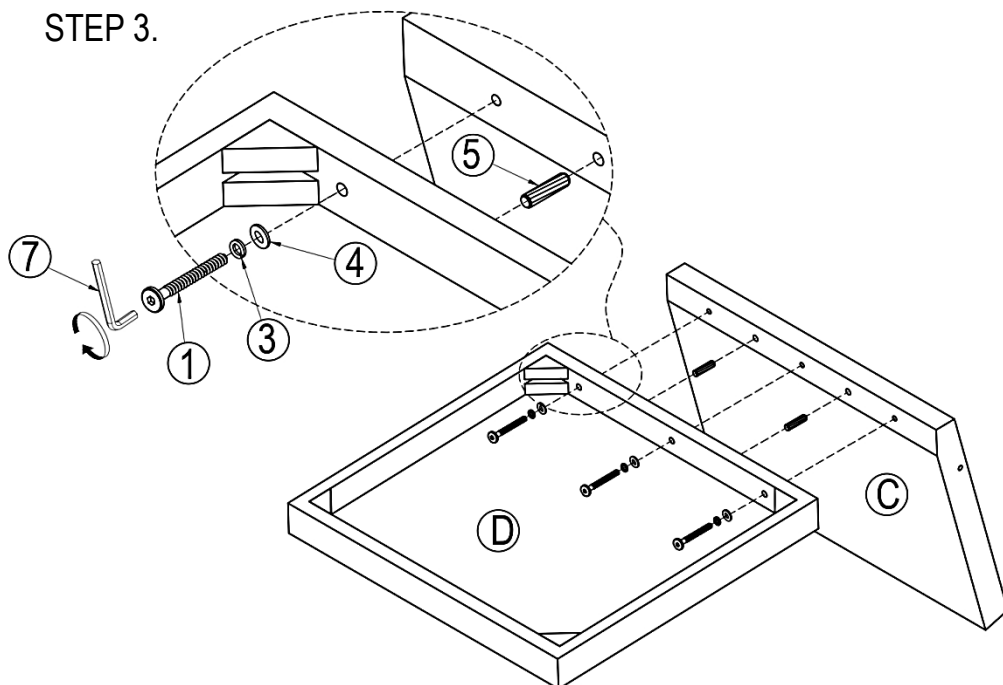


## STEP 2.



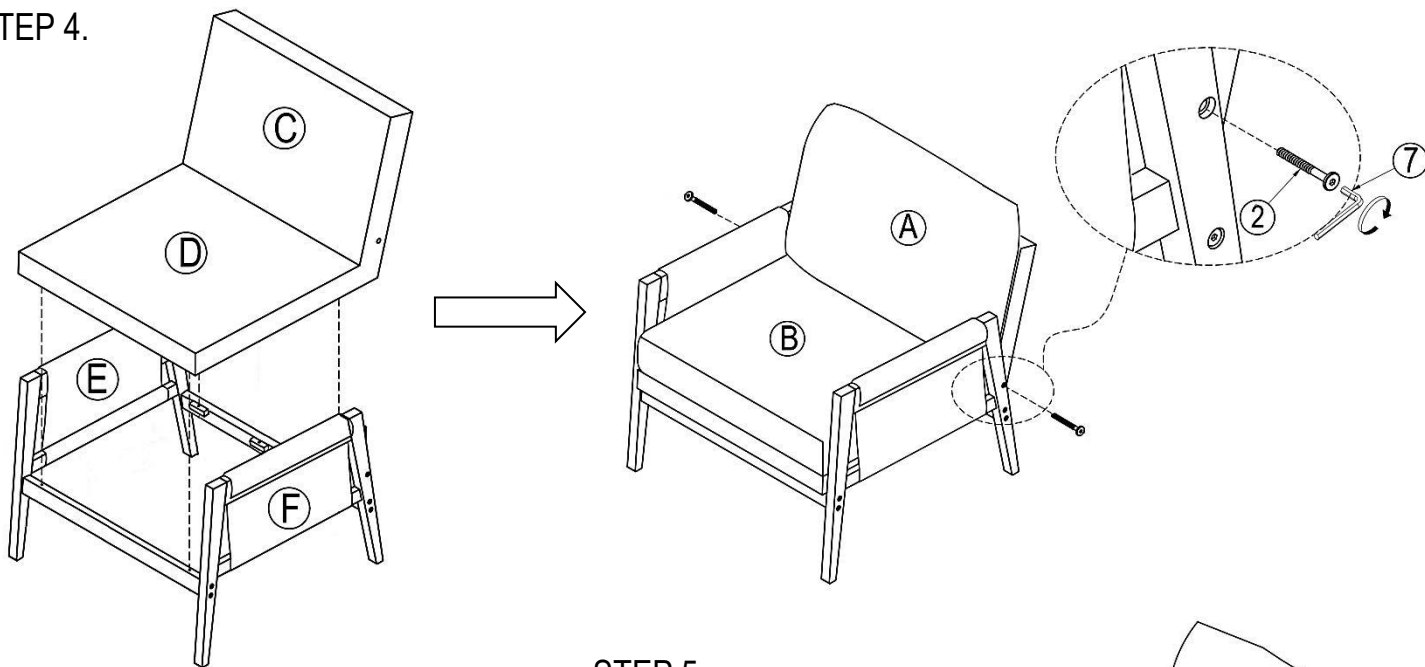
*Note: Please watch and follow up label "UP" on the stretchers. This side need toward up.*

## STEP 3.

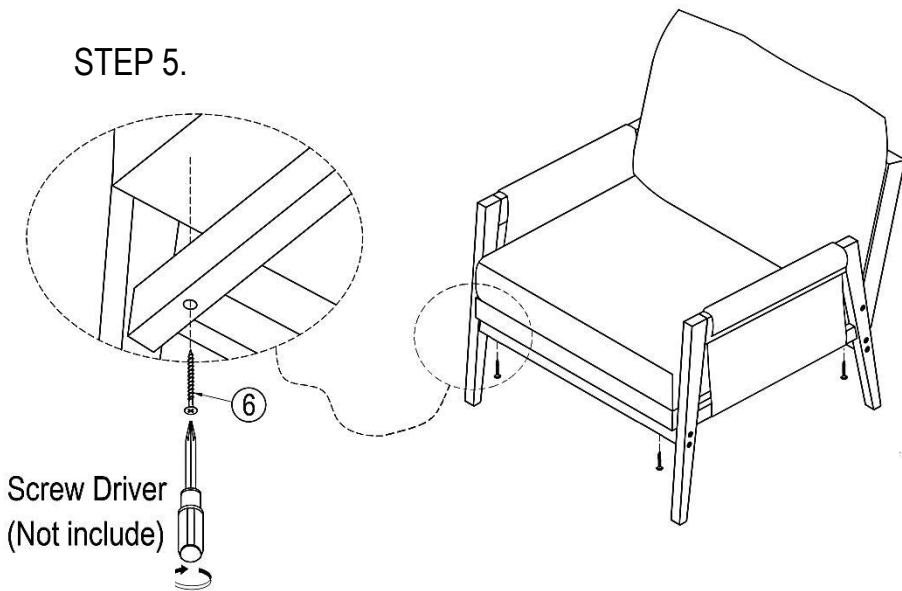


**Do not fully tighten screws/ bolts until completely assembled**

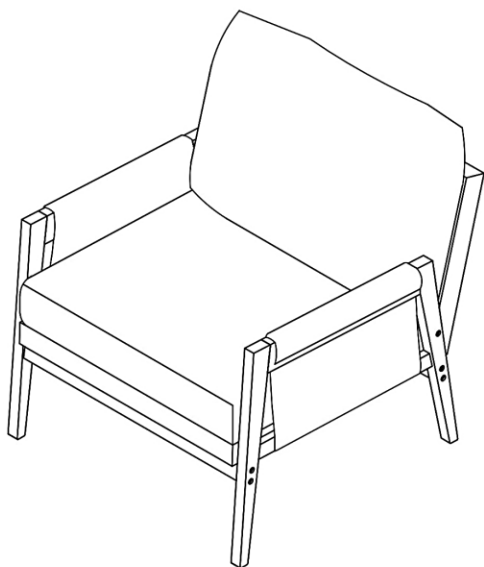
STEP 4.



STEP 5.



**COMPLETED**



Do not fully tighten screws/ bolts until completely assembled