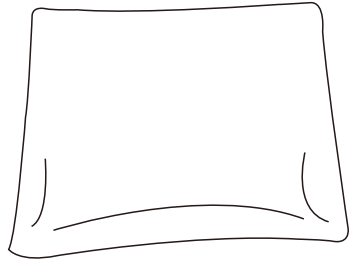
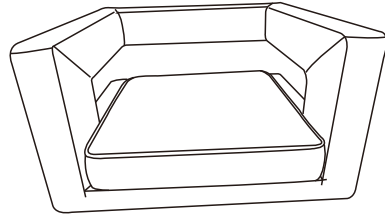


# AC285 ASSEMBLY INSTRUCTION

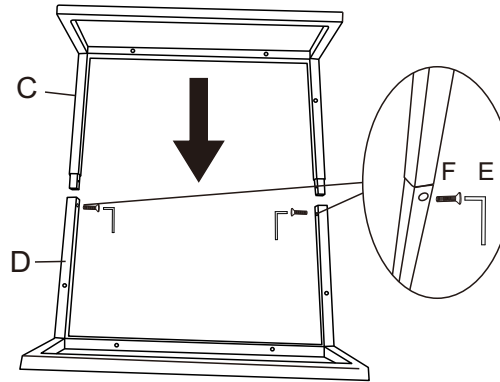
A X 1



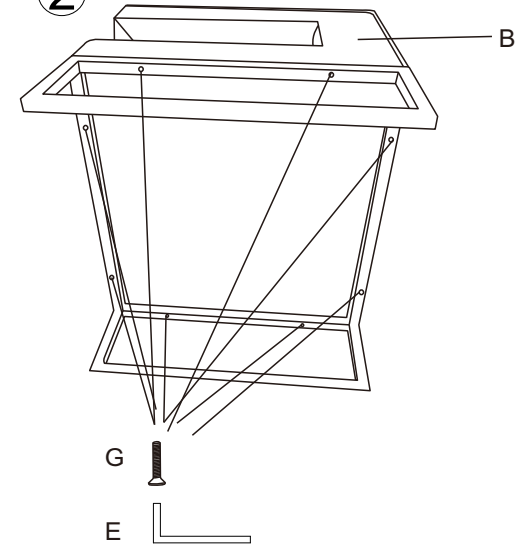
B X 1



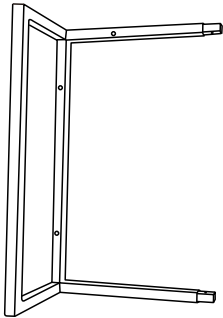
①



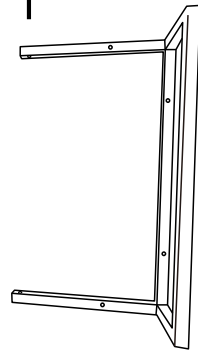
②



C X 1

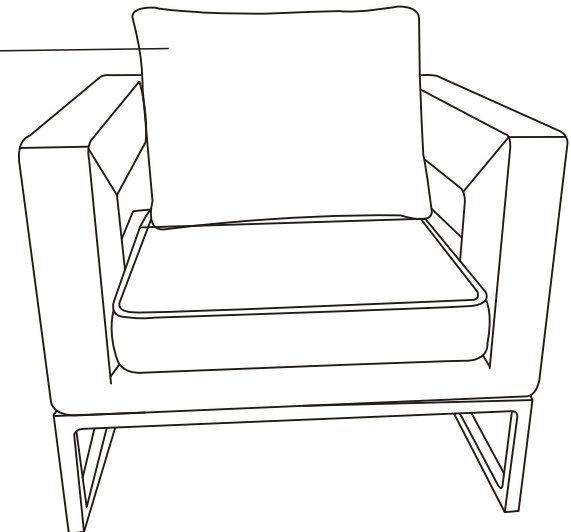


D X 1






③

A



HARDWARE LIST	CODE	PARTS	QTY.
	A	BACK	1
	B	SEAT	1
	C D	LEG	2

HARDWARE LIST	CODE	PARTS	QTY.
	E		1
	F		2
	G		8